

[HOBOLITE MINI MAX User Manual](#)

[Manualsum](#), simplified manuals

Table of Contents

- [HOBOLITE MINI MAX User Manual](#)
 - [Features](#)
 - [Operating instructions](#)
 - [WARNINGS](#)
 - [Product Specifications](#)
 - [App Download](#)
 - [Warranty Card](#)
 - [Warranty Terms](#)
 - [Important notes:](#)
 - [The warranty does not cover:](#)
 - [The warranty will be invalid if:](#)

HOBOLITE MINI MAX User Manual

HOBOLITE MINI MAX User Manual

AEC Lighting Solutions HOBOLITE MINI MAX User Manual

FCC id: [2ANLP-MINIMAX](#)



Hobolite

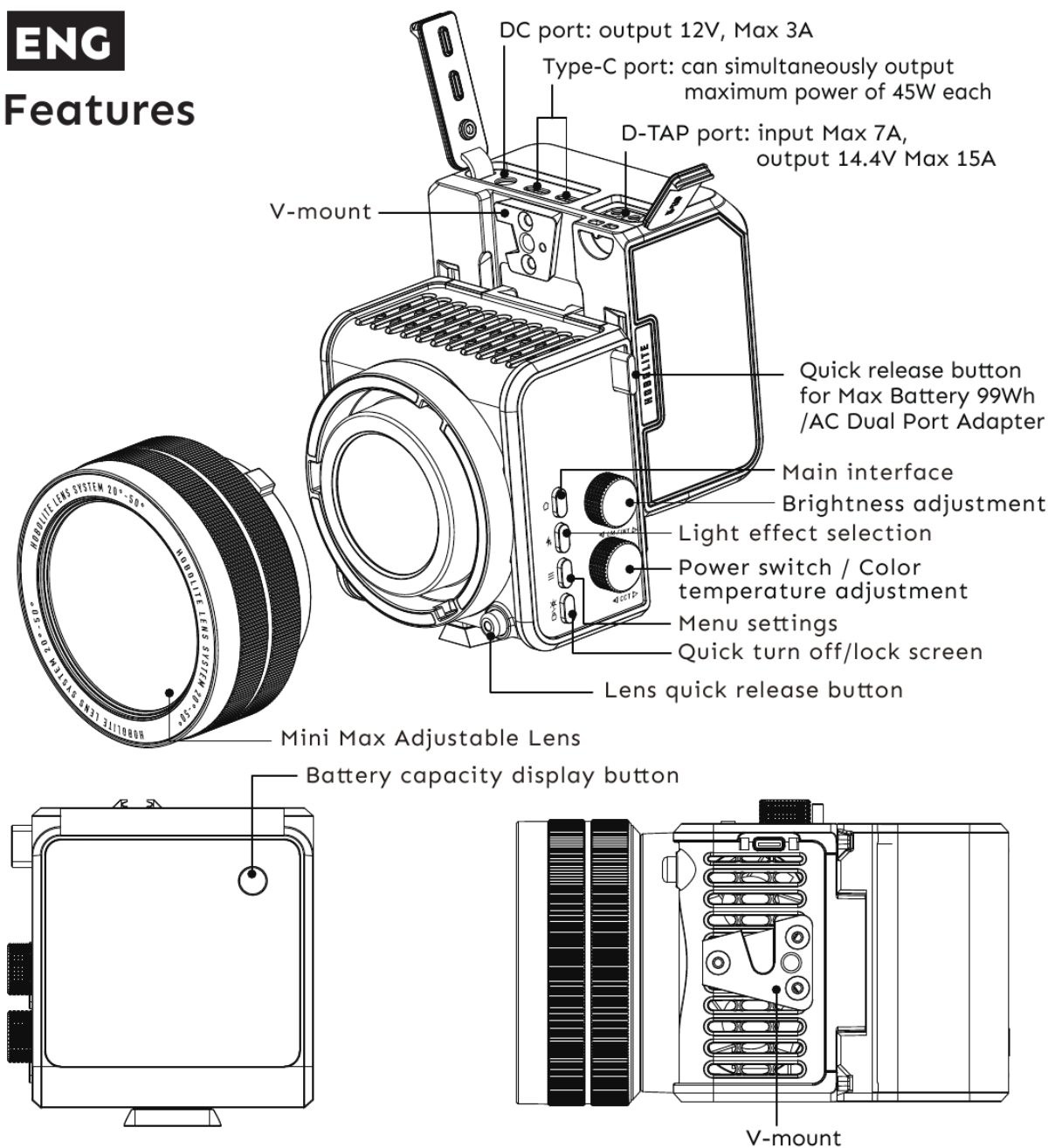
40W BI-COLOR CONTINUOUS LED LIGHT

[Manualsum](#)

Features

ENG

Features



Operating instructions

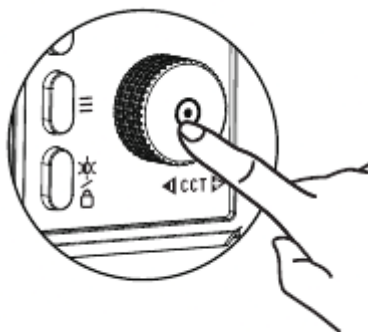
Lens disassembly/installation:

1. Press and hold the quick release button, rotate the lens counterclockwise and pull it out.
2. Insert the lens into the lamp body slot and rotate it clockwise to fix it for installation.



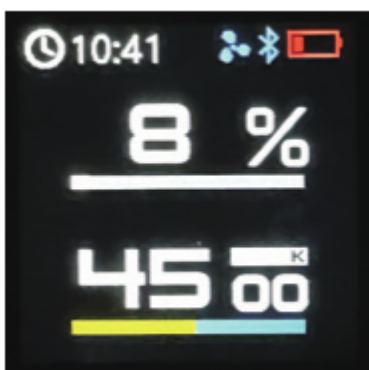
Power on/off operation:

1. Long press the power switch for 1.5 seconds, then turn the knob clockwise to turn on the light.
2. Long press the power switch for 1.5 seconds to turn off the light.



Main interface:

1. Short press the “Main Interface” button to enter the main interface.
2. Rotate the brightness adjustment knob and color temperature adjustment knob to adjust the brightness and color temperature separately.



3. Short press the brightness adjustment knob or color temperature adjustment knob to quickly adjust the gear: the brightness can be quickly adjusted to 0%, 25%, 50%, 75%, and 100%; The color temperature can be quickly adjusted to 2700K, 3500K, 4500K, 5500K, 6500K.

Light effect selection:

1. Short press the “Light Effect Selection” button to enter the light effect selection interface. Rotate the power switch knob to select the light effect.
2. There are a total of 8 lighting effects to choose from.



Menu selection:

1. Short press the “Menu Settings” button to enter the main menu interface, rotate the power switch knob to select the menu.
2. Short press the power switch knob to enter the submenu, and rotate the power switch knob to select the submenu.



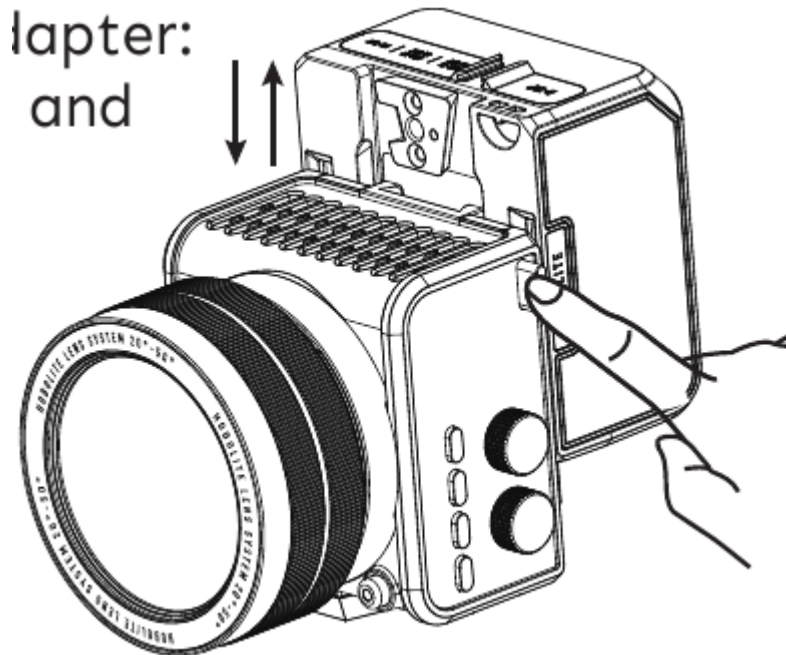
Quick turn off / lock screen:

1. Short press the “Quick Turn Off/Lock Screen” button to quickly turn off/on the lights.
2. Long press the “Quick Turn Off/Lock Screen” button to lock the screen, but after locking the screen, no interface operations can be performed.

Disassembly: Hold down the quick release button and pull out the battery pack/AC adapter upwards.

Installation: Align the V-mount connector with the slot and insert it downwards.

Short press the battery capacity display a button on the battery pack to display real-time power.



WARNINGS



- Please thoroughly read the manual prior to operating the product and operate in strict accordance with the manual.
- Don't disassemble the product by yourself. If the product requires repair, contact our maintenance personnel.
- Product failures caused by unauthorized disassembly are not covered by warranty, and will be chargeable.
- The product is designed to be actively cooled by fans. Don't block the fan ducts of the product during operation.
- Don't touch the heat generating parts of the product during operation to avoid scalding injury.
- The power must be switched off during set-up and break down of the product.
- Don't submerge the product in water or other liquid/s to avoid safety risk and product failure.
- Allow the product to properly cool after each use before storage. [Manualsum](#)

- Only use the originally supplied accessories to avoid product failure/s.
- Only use the supplied charging adapter and power cable to avoid damage to the product.

Product Specifications

Power	40W
Lumens (6500K)	4000lm
Lumens (2700K)	3200lm
Input	AC 100-240V, 50~60Hz DC 12-24V
Battery (DC powered version)	14.4V 6900mAh, 99.36Wh
CRI	96
TLCI	96
CCT	2700-6500K
Dimming	0-100%
Wireless Method	Bluetooth
Wireless Operating Range	20m / 65.6ft
Noise	22dB@1m
Protection Class (light)	IP54
Protection Class (battery pack)	IP65
Operating Temperature	-10~40°C / 14~104°F
Dimension (Light)	110×89.3×98.9mm / 4.33×3.52×3.89in
Net Weight (Light)	695g / 1.53lbs

App Download

You can download the Hobolite app in the (Apple) App Store and Google Play store by scanning the following QR code.



Warranty Card

Product No.	
Product name	
Purchase date	
User name	
User telephone	
User address	
Dealer stamp	

	AEC LIGHTING SOLUTIONS CO., LTD. INSPECTION: PASS Add: 2548 Bao'an Highway, Jiading District, Shanghai 201801, China
---	---

Warranty Terms

We provide a two-year warranty period for the original buyer of the product.

For the detailed warranty scope, please log in our website www.hobolite.com.

Important notes:

- Please retain your original purchase invoice and warranty card and ensure that the complete supplier information is on the invoice, including the purchase date and product serial number, which will be needed when making a claim against the warranty.

The warranty does not cover:

- Damage caused by improper use, false wiring, incompatible, poor quality or mis-adjusted external devices.
- Damage to the appearance of the product from mishandling or abuse.
- Exposure to rain or water.
- Damage caused by transportation. Please contact your dealer to issue a claim.

The warranty will be invalid if:

- The product serial number has been torn off or can't be identified.
- The product has been repaired or modified by unauthorized persons.

[Manualsum](#)