

# **ARTIKA Led Flush Mount Light User Manual**

## **Manualsum, simplified manuals**

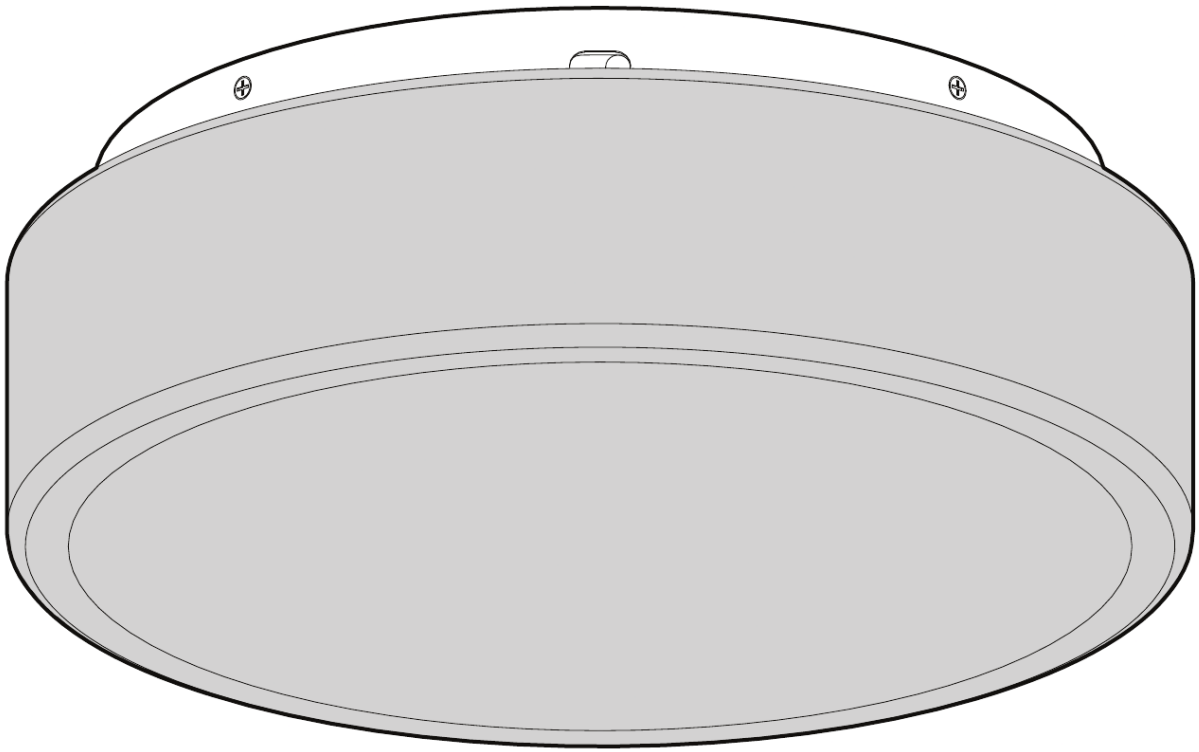
### Table of Contents

- [ARTIKA Led Flush Mount Light User Manual](#)
  - [INCLUDED HARDWARE](#)
  - [STEP-BY-STEP INSTALLATION](#)
  - [CAUTION](#)
    - [IMPORTANT](#)
  - [MOUNTING BRACKET INSTALLATION](#)
  - [WIRES CONNECTION](#)
  - [FINAL INSTALLATION](#)
  - [SELECTABLE WHITE TECHNOLOGY](#)
  - [WARRANTY](#)


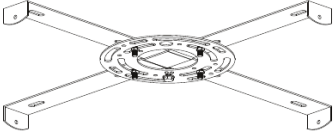

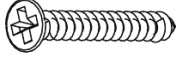
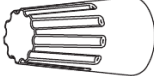
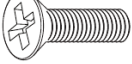
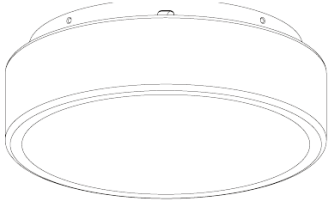
# **ARTIKA Led Flush Mount Light User Manual**

ARTIKA Led Flush Mount Light User Manual

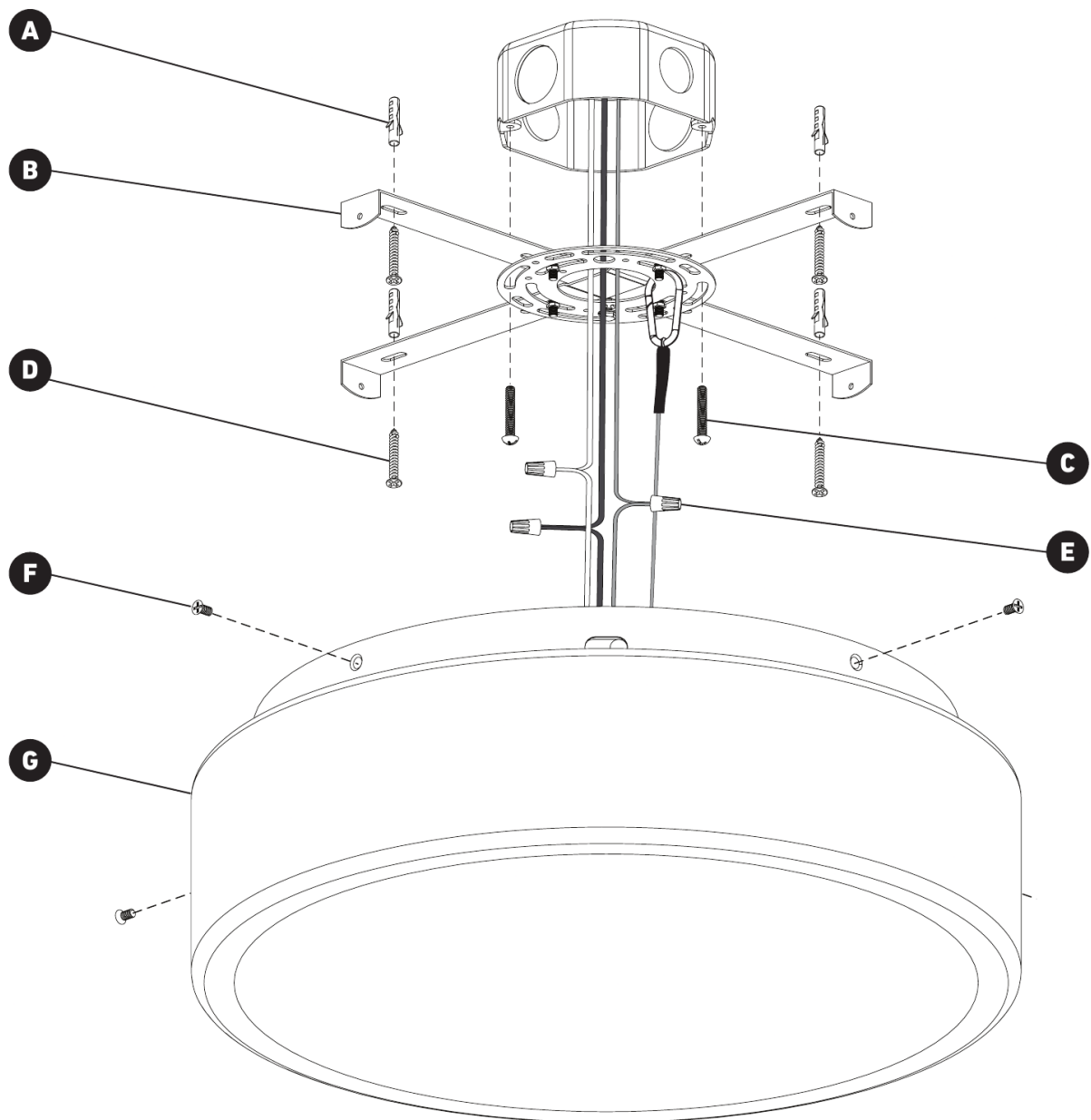
(2AUHG-15FM-CF5C)



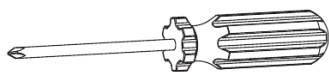
# INCLUDED HARDWARE

ITEM PIÈCE PIEZA	DESCRIPTION DESCRIPTION DESCRIPCIÓN	QUANTITY QUANTITÉ CANTIDAD
<b>A</b> 	Wall anchor Ancrage mural Anclaje de pared	× 4
<b>B</b> 	Mounting bracket Support de montage Soporte de montaje	× 1
<b>C</b> 	Junction box screw Vis de boîtier de raccordement Tornillo de caja de conexiones	× 2
<b>D</b> 	Fixation screw Vis de fixation Tornillito de fijación	× 4
<b>E</b> 	Wire connector Capuchon de connexion Conector de cable	× 3
<b>F</b> 	Canopy screw Vis de la base Tornillo de dosel	× 4 +1 extra
<b>G</b> 	LED Light fixture with canopy assembled Plafonnier à DEL avec base assemblée Lámpara LED de techo con dosel ensamblado	× 1

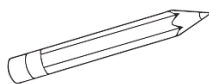
# STEP-BY-STEP INSTALLATION



WHAT YOU WILL NEED  
VOUS AUREZ BESOIN  
LO QUE NECESITARÁ



Screwdriver  
Tournevis  
Destornillador



Pencil  
Crayon  
Lápiz



Drill  
Perceuse  
Taladro



1/4-in. drill bit (6.5 mm)  
Mèche de 1/4 po (6,5 mm)  
Broca de 1/4 plg (6,5 mm)

TOOL NOT INCLUDED  
OUTIL NON INCLUS  
HERRAMIENTA NO INCLUIDA

## CAUTION

**Warning:** Risk of electrical shock. Turn off breaker at the panel.

Switch off the main electrical supply from the fuse box/circuit breaker before installing the unit or doing any maintenance.

Do not use outdoor.

**Caution:** If using a dimmer, it must be LED compatible.

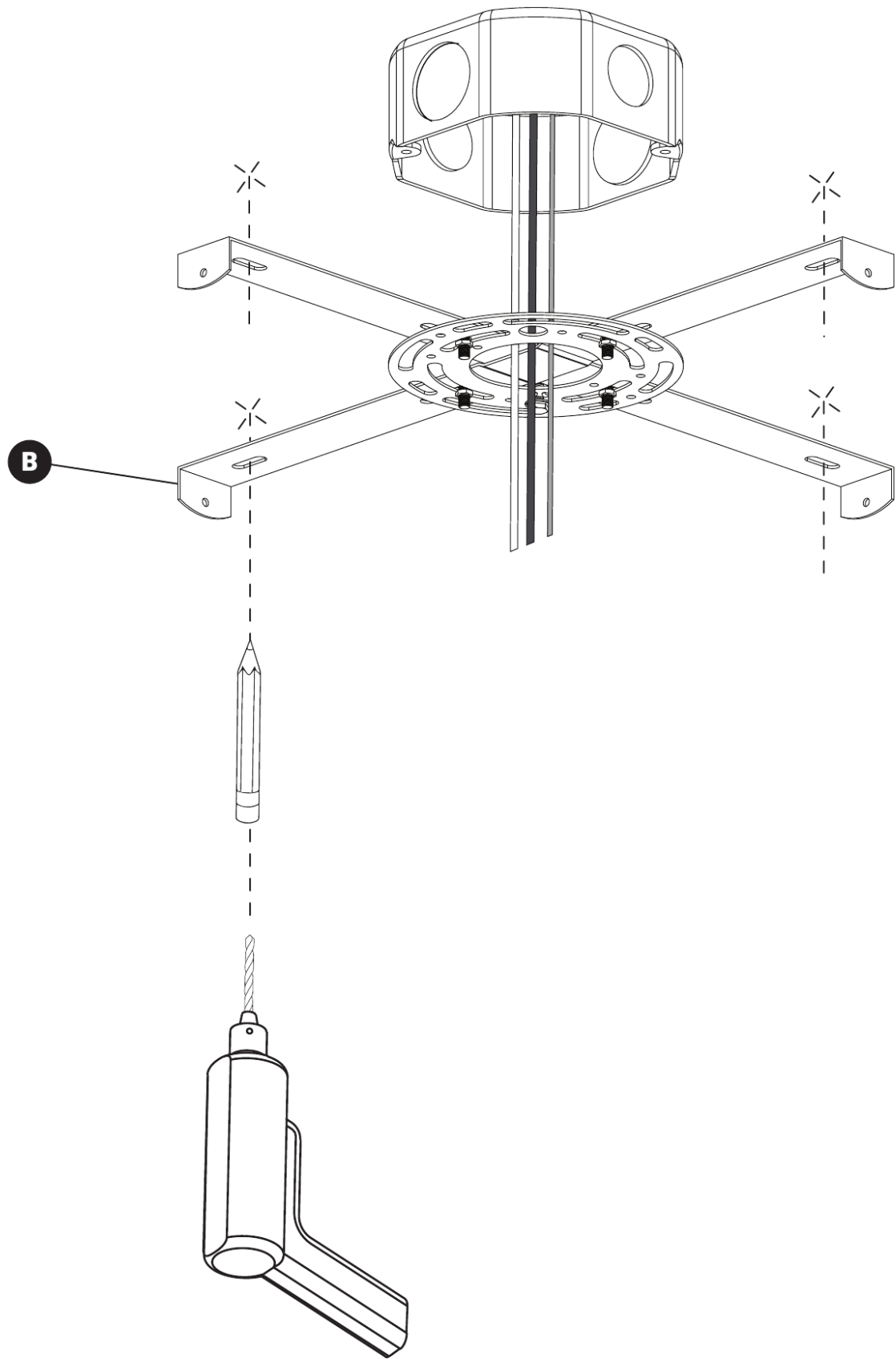
## IMPORTANT

The installer and/or user must read, understand and follow these instructions before installing the product. This product must be properly installed before it is used. If instructions are not followed, the manufacturer will not be held responsible for any problems or product malfunction. Failure to follow installation and/or operating instructions voids the warranty.

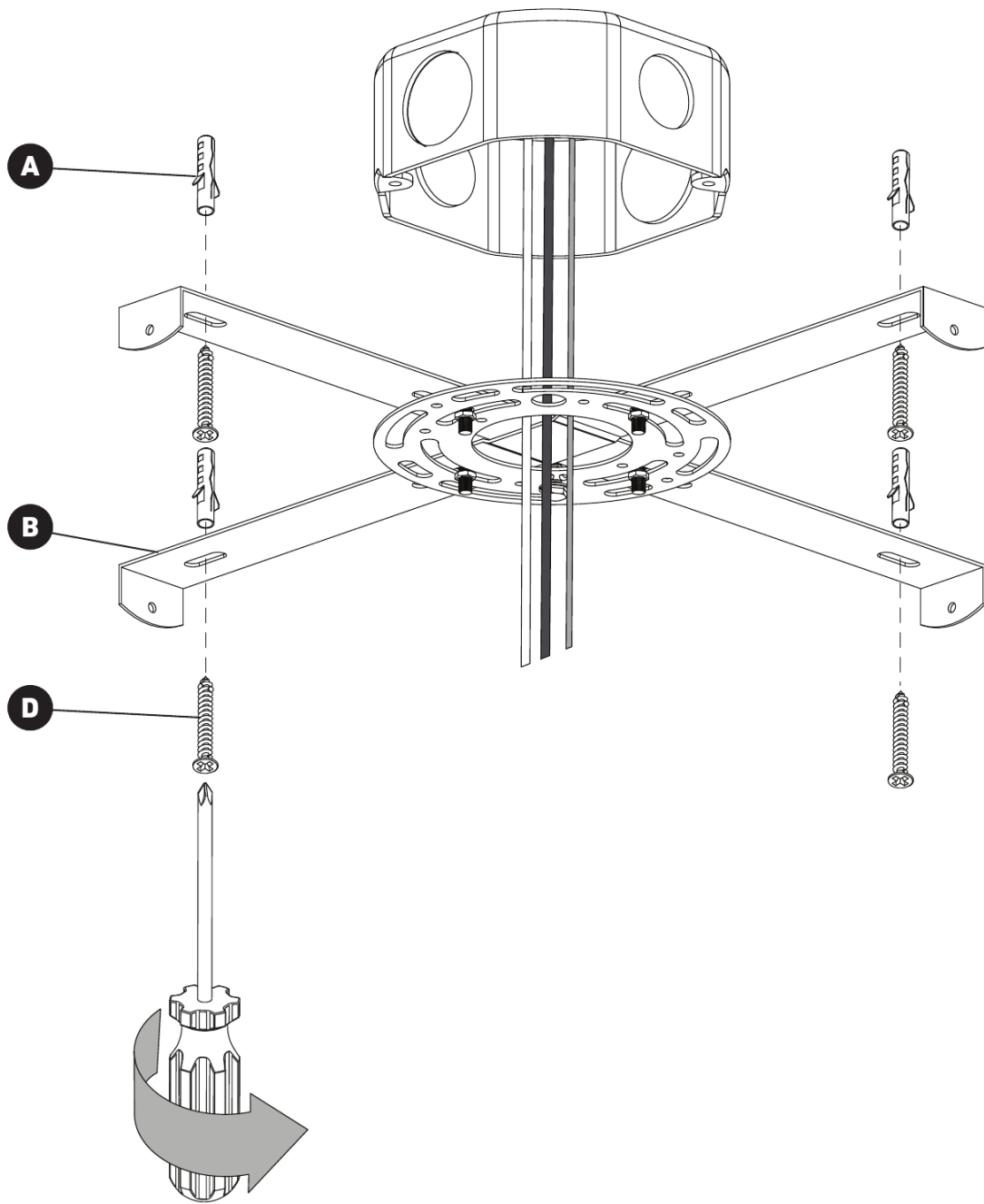
We recommend that this product be installed by a certified electrician. In some states or provinces, it is a legal requirement for this type of product to be installed by a certified electrician, according to the electrical and building codes effective in the region where the unit is used.

## MOUNTING BRACKET INSTALLATION

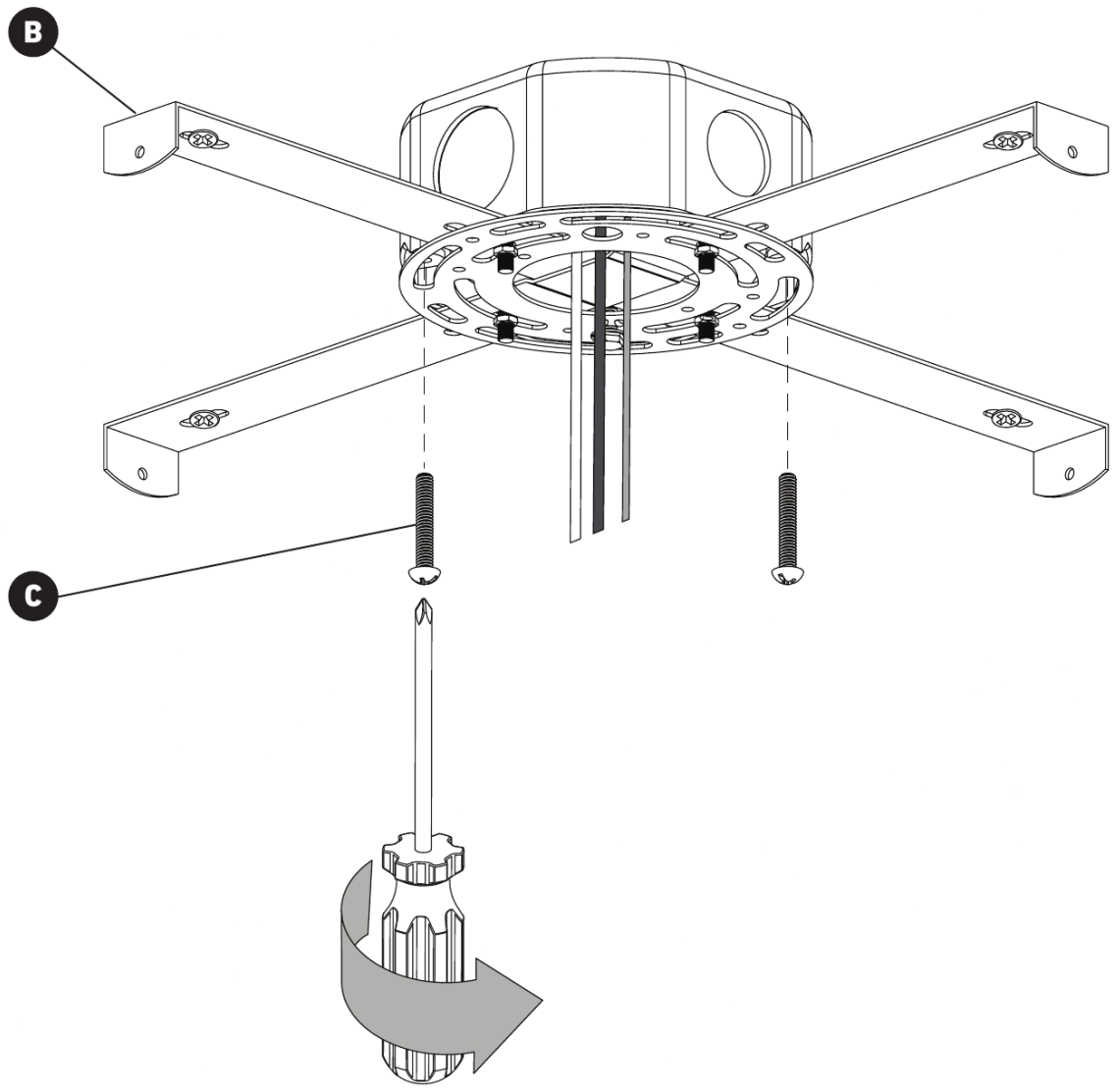
### 1. FIRST



**2. SECOND**



**3. THIRD**





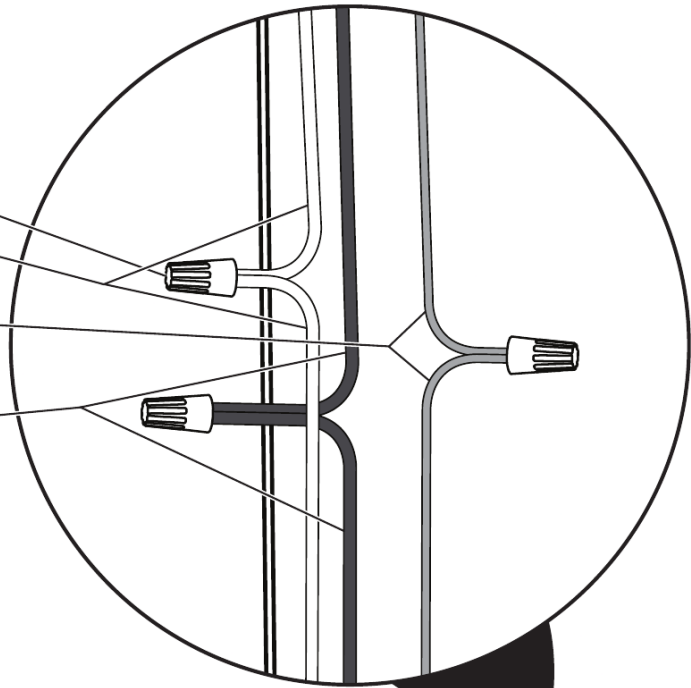
# WIRES CONNECTION

**E**

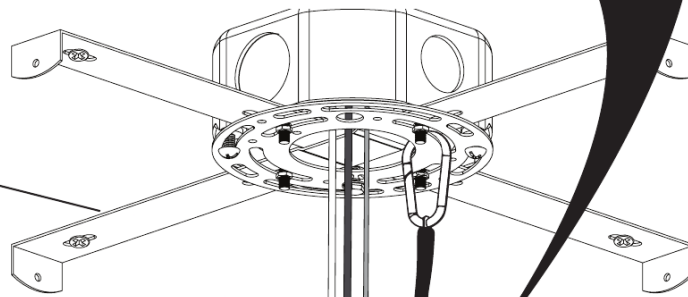
White (N)  
Blanc (N)  
Blanco (N)

Ground wire (G)  
Fil de mise à la terre (G)  
Cable de tierra (G)

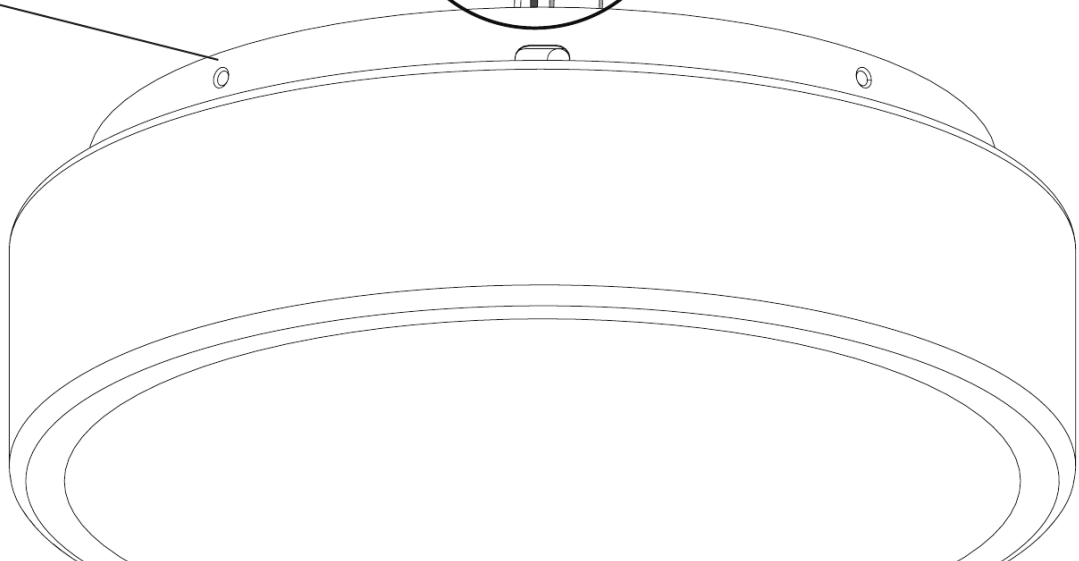
Black (L)  
Noir (L)  
Negro (L)



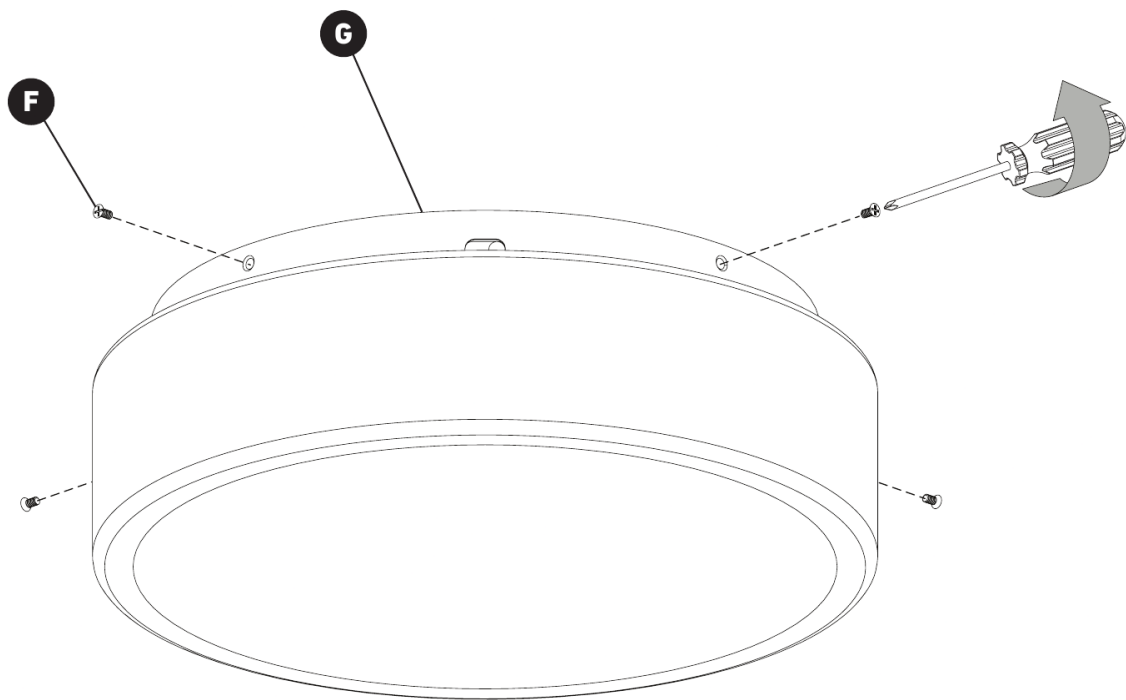
**B**



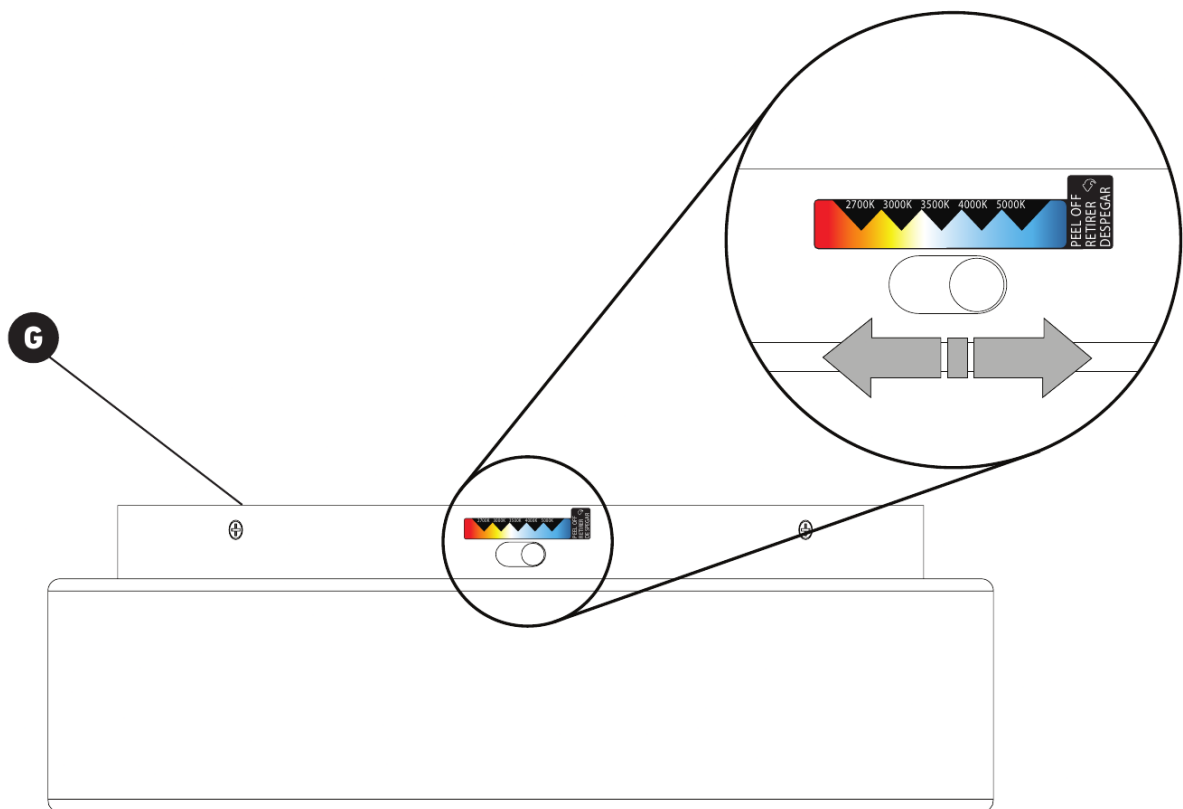
**G**



## FINAL INSTALLATION



## SELECTABLE WHITE TECHNOLOGY



# WARRANTY

Artika For Living Inc. is proud to offer you a three-year (3) limited warranty on manufacturing defects from the date of purchase for residential use only. The warranty is extended to the original owner in USA, Canada, Mexico, UK, Iceland, France and Spain and is non-transferable. It does not apply to retailers, commercial applications or establishments. The original sales receipt is required for all warranty claims. The remedy under this limited warranty shall be product or part replacement at Artika's discretion as provided herein and cannot exceed the original purchase price.

This warranty is valid only on products installed in accordance with the building code and laws effective in the region where the unit is being used, as well as in accordance with the provided instruction manual. It does not cover products installed incorrectly or subjected to abnormal use. Product(s) or component part(s) may be required to be returned for inspection and verification.

Normal wear and tear, misuse, negligence, vandalism, improper maintenance (surface damage due to chemical interaction or cleaning agents including, but not limited to, scouring pads, use of cleaners containing abrasives, alcohol or other organic solvents) improper handling, accident, abuse, fire, flood, theft, acts of God, neglect, or alteration of the product will not be covered under this limited warranty. It excludes any accessories that accompany the product including, but not limited, to bulbs or batteries.

The warranty does not cover handling, labour, transportation, or any other cost associated with the installation or replacement of the product. This limited warranty is valid in the country of purchase and by Artika authorized retailers only.

Artika for Living Inc. will not be held responsible for any direct or consequential damages or injuries related to the use of this product arising from improper use or installation of this product. Please visit [www.artika.com](http://www.artika.com) to discover more about Artika for Living Inc.

## **Artika For Living Inc.**

1756, 50<sup>th</sup> Avenue Montréal (Lachine), Québec Canada H8T 2V5

## **Customer Service**

Monday to Friday 9am -5pm EST