

ARTIKA LED FLUSH MOUNT LIGHT USER MANUAL

Manualsum, simplified manuals

Table of Contents

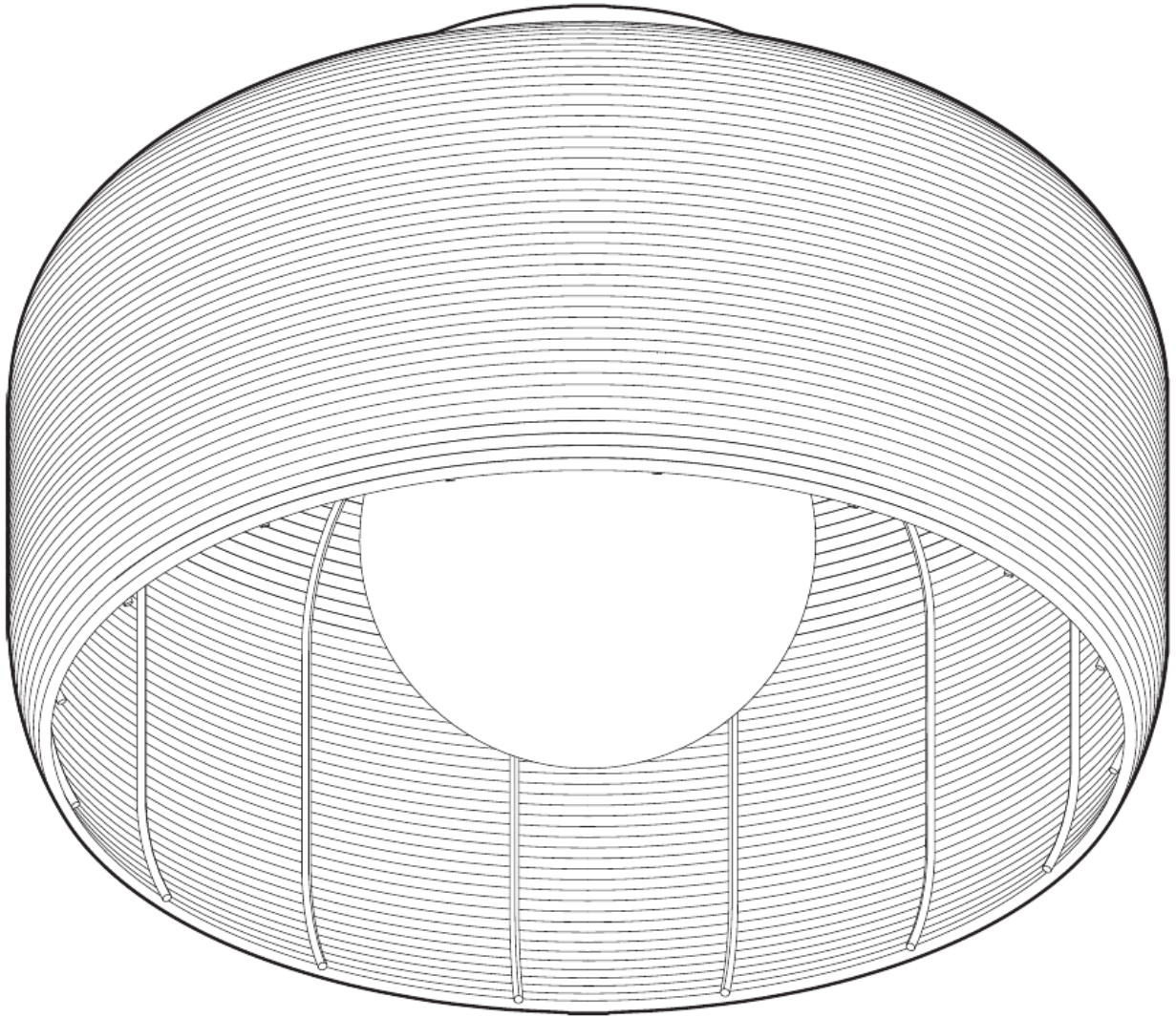
- [ARTIKA LED FLUSH MOUNT LIGHT USER MANUAL](#)
 - [INCLUDED HARDWARE](#)
 - [STEP-BY-STEP INSTALLATION](#)
 - [CAUTION](#)
 - [IMPORTANT](#)
 - [MONTING BRACKET INSTALLATION](#)
 - [CONNECTION](#)
 - [LIGHT FIXTURE INSTALLATION](#)
 - [TUNABLE WHITE TECHNOLOGY](#)
 - [WARRANTY](#)
 - [ARTIKA LED FLUSH MOUNT LIGHT USER MANUAL](#)

ARTIKA LED FLUSH MOUNT LIGHT USER MANUAL


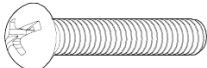

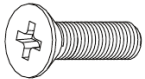
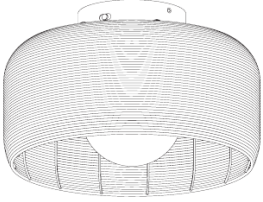
ARTIKA LED FLUSH MOUNT LIGHT USER MANUAL

Model: FM-EK5C-HD2WD

([2AUHG-FM-EK5C](#))

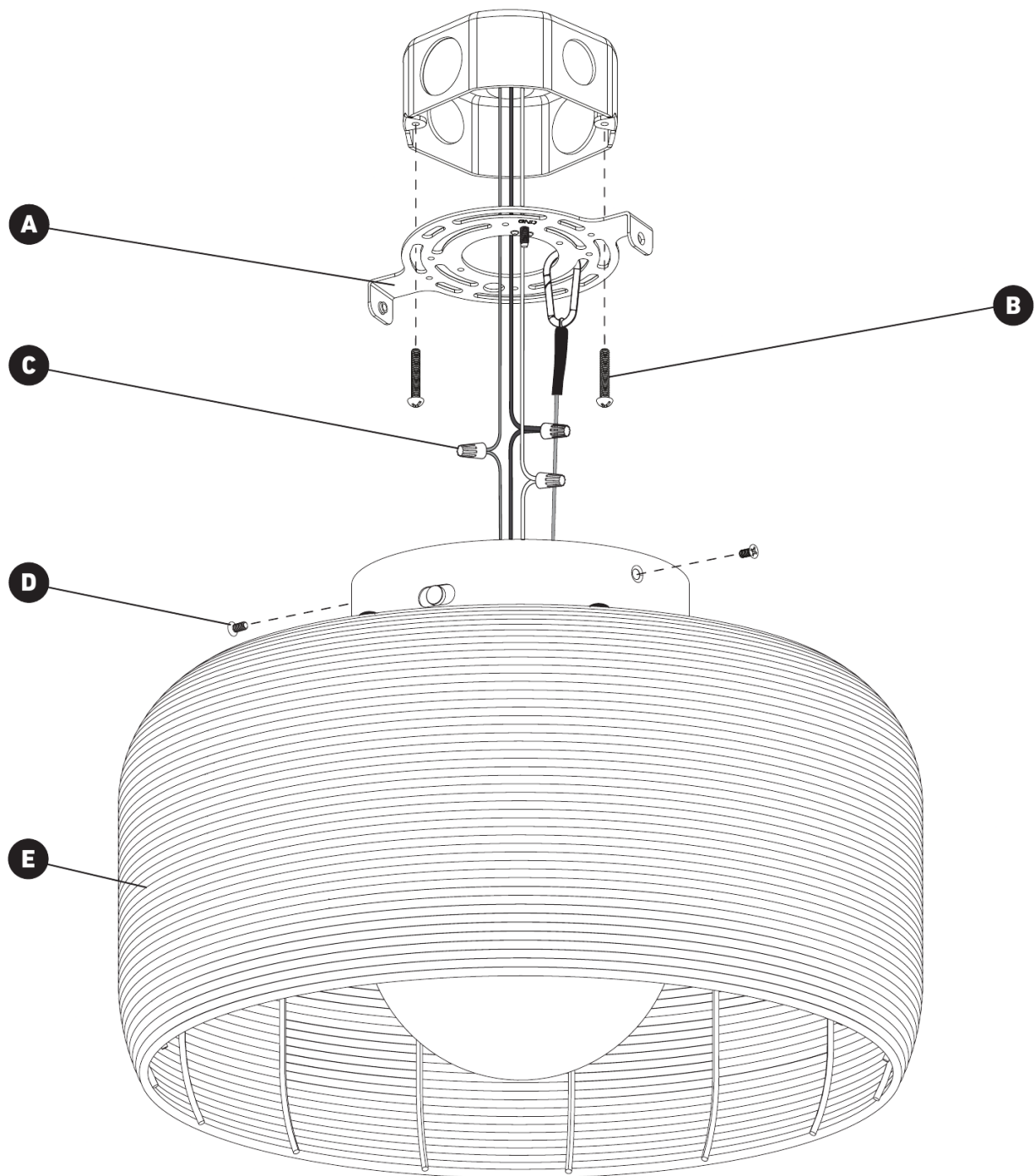


INCLUDED HARDWARE

ITEM PIÈCE PIEZA	DESCRIPTION DESCRIPTION DESCRIPCIÓN	QUANTITY QUANTITÉ CANTIDAD
A 	Mounting bracket Support de montage Soporte de montaje	× 1
B 	Junction box screw Vis de boitier de raccordement Tornillo de caja de conexiones	× 2
C 	Wire connector Capuchon de connexion Conector de cable	× 3
D 	Canopy screw Vis de la base Tornillo del dosel	× 2 + 1 extra
E 	LED ceiling light Plafonnier à DEL Lámpara LED para techo	× 1

What will you need: Screwdriver

STEP-BY-STEP INSTALLATION



CAUTION

WARNING: Risk of electrical shock. Turn off breaker at the panel.

Switch off the main electrical supply from the fuse box/circuit breaker before installing the unit or doing any maintenance.

Do not use outdoor.

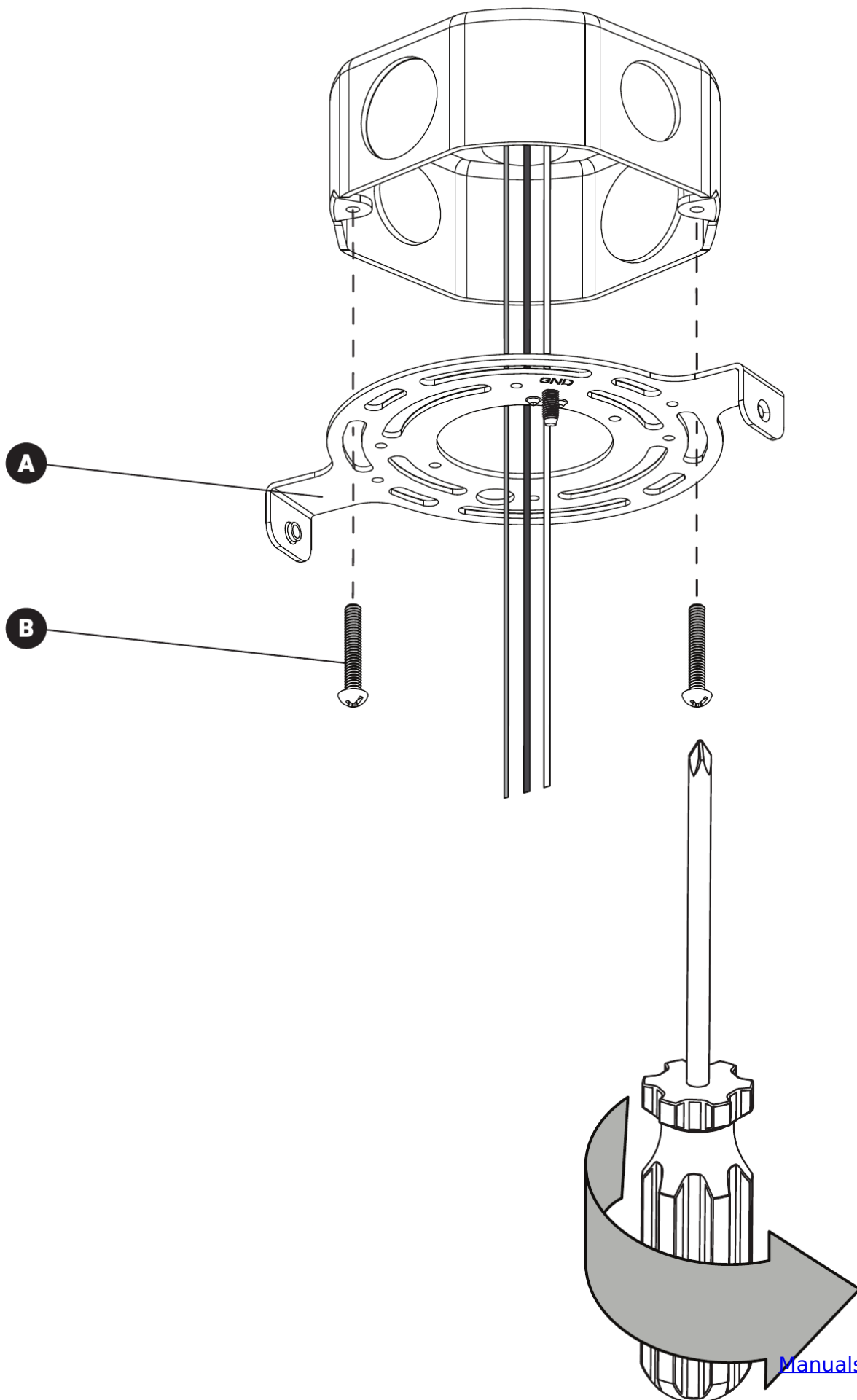
[Manualsum](#)

CAUTION: If using a dimmer, it must be LED compatible.

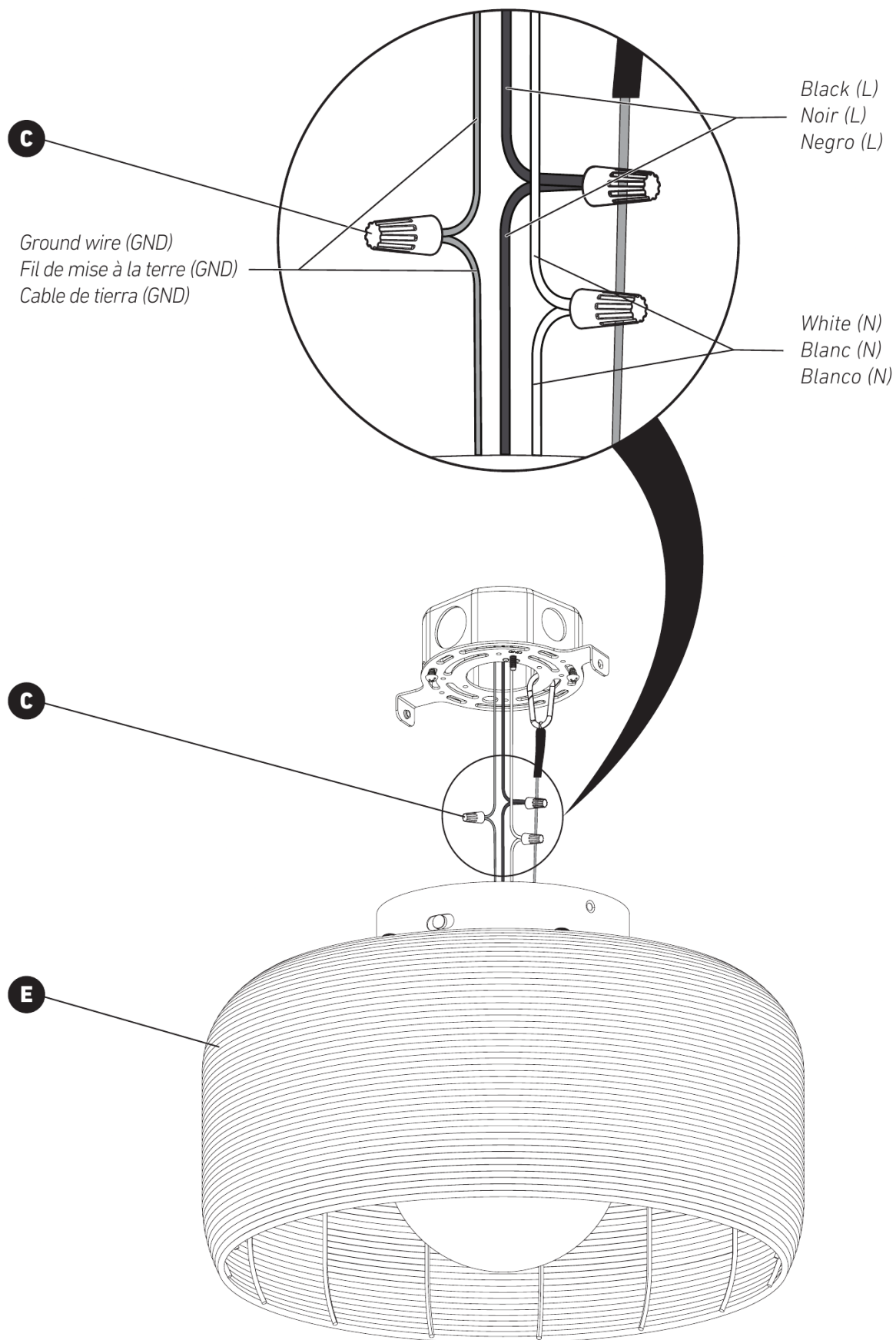
IMPORTANT

The installer and/or user must read, understand and follow these instructions before installing the product. This product must be properly installed before it is used. If instructions are not followed, the manufacturer will not be held responsible for any problems or product malfunction. Failure to follow installation and/or operating instructions voids the warranty. We recommend that this product be installed by a certified electrician. In some states or provinces, it is a legal requirement for this type of product to be installed by a certified electrician, according to the electrical and building codes effective in the region where the unit is used.

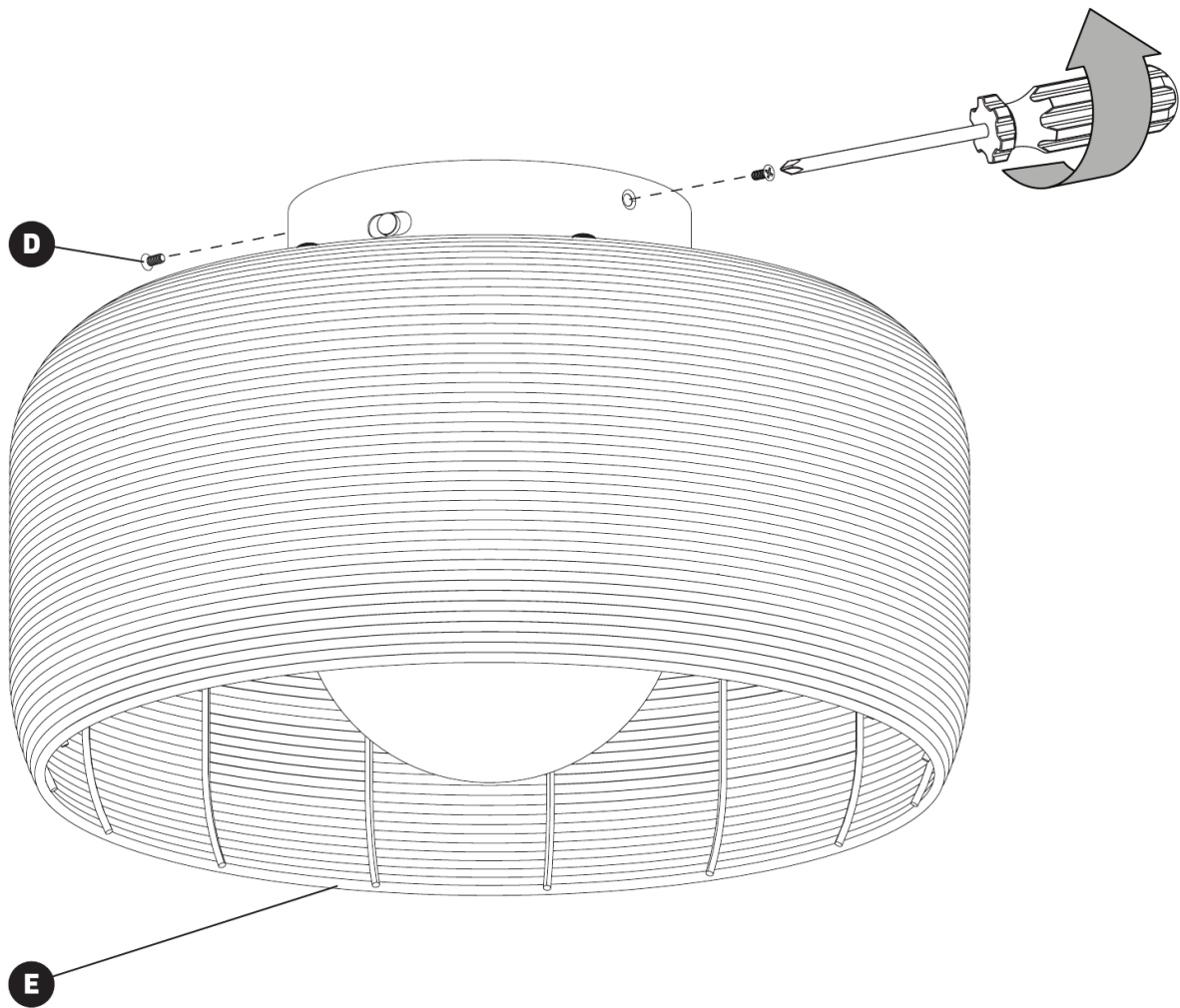
MONTING BRACKET INSTALLATION



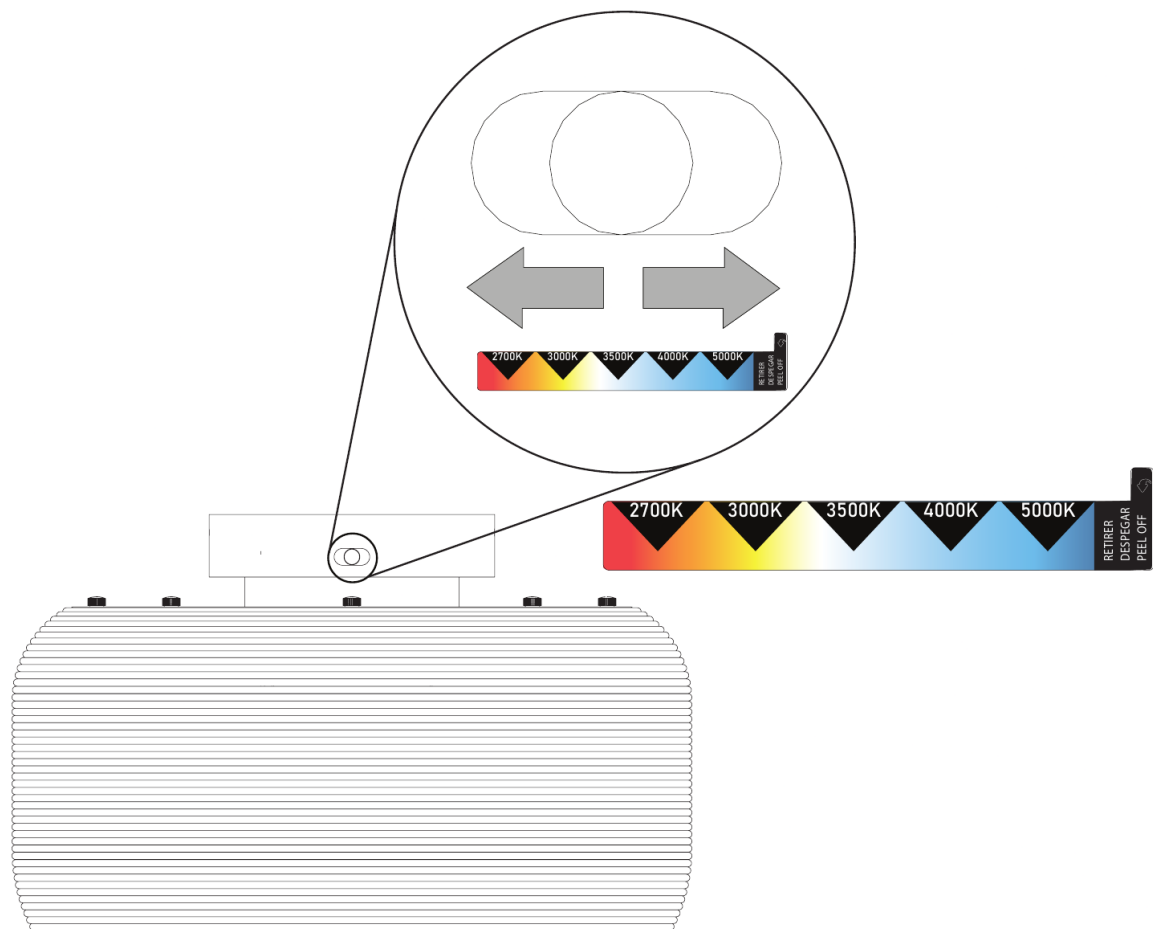
CONNECTION



LIGHT FIXTURE INSTALLATION



TUNABLE WHITE TECHNOLOGY



WARRANTY

ARTIKA LED FLUSH MOUNT LIGHT USER MANUAL

Artika For Living Inc. is proud to offer you a three-year (3) limited warranty on manufacturing defects from the date of purchase, for residential use only. The warranty is extended to the original owner in the USA, Canada, Mexico, the UK, Iceland, France, and Spain, and is non-transferable. It does not apply to retailers, commercial applications, or establishments. The original sales receipt is required for all warranty claims. The remedy under this limited warranty shall be product or part replacement at Artika's discretion as provided herein, and cannot exceed the original purchase price.

This warranty is valid only for products installed in accordance with the building codes and laws effective in the region where the unit is being used, as well as in accordance with the provided instruction manual. It does not cover products installed incorrectly or subjected to abnormal use. Products or component parts may be required to be returned for inspection and verification.

Normal wear and tear, misuse, negligence, vandalism, improper maintenance (surface damage due to chemical interaction or cleaning agents including, but not limited to, scouring pads, use of cleaners containing abrasives, alcohol, or other organic solvents), improper handling, accidents, abuse, fire, flood, theft, acts of God, neglect, or alteration of the product will not be covered under this limited warranty. It excludes any accessories that accompany the product, including, but not limited to, bulbs or batteries.

The warranty does not cover handling, labour, transportation, or any other cost associated with the installation or replacement of the product. This limited warranty is valid in the country of purchase and by Artika authorized retailers only.

Artika For Living Inc. will not be held responsible for any direct or consequential damages or injuries related to the use of this product arising from improper use or installation of this product. Please visit www.artika.com to discover more about **Artika For Living Inc.**