

# **ARTIKA Skylight Pro 12 LED Ceiling Light User Manual**

## **Manualsum, simplified manuals**

### Table of Contents

- [ARTIKA Skylight Pro 12 LED Ceiling Light User Manual](#)
  - [INCLUDED HARDWARE](#)
  - [STEP-BY-STEP INSTALLATION](#)
  - [CAUTION](#)
  - [MOUNTING BRACKET INSTALLATION](#)
  - [CONNECTING THE WIRES AND CANOPY INSTALLATION \(NO DIMMER\)](#)
  - [FINAL INSTALLATION](#)
  - [WARRANTY](#)

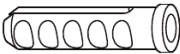



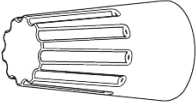
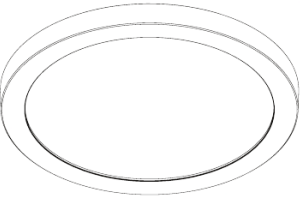
# **ARTIKA Skylight Pro 12 LED Ceiling Light User Manual**

ARTIKA Skylight Pro 12 LED Ceiling Light User Manual

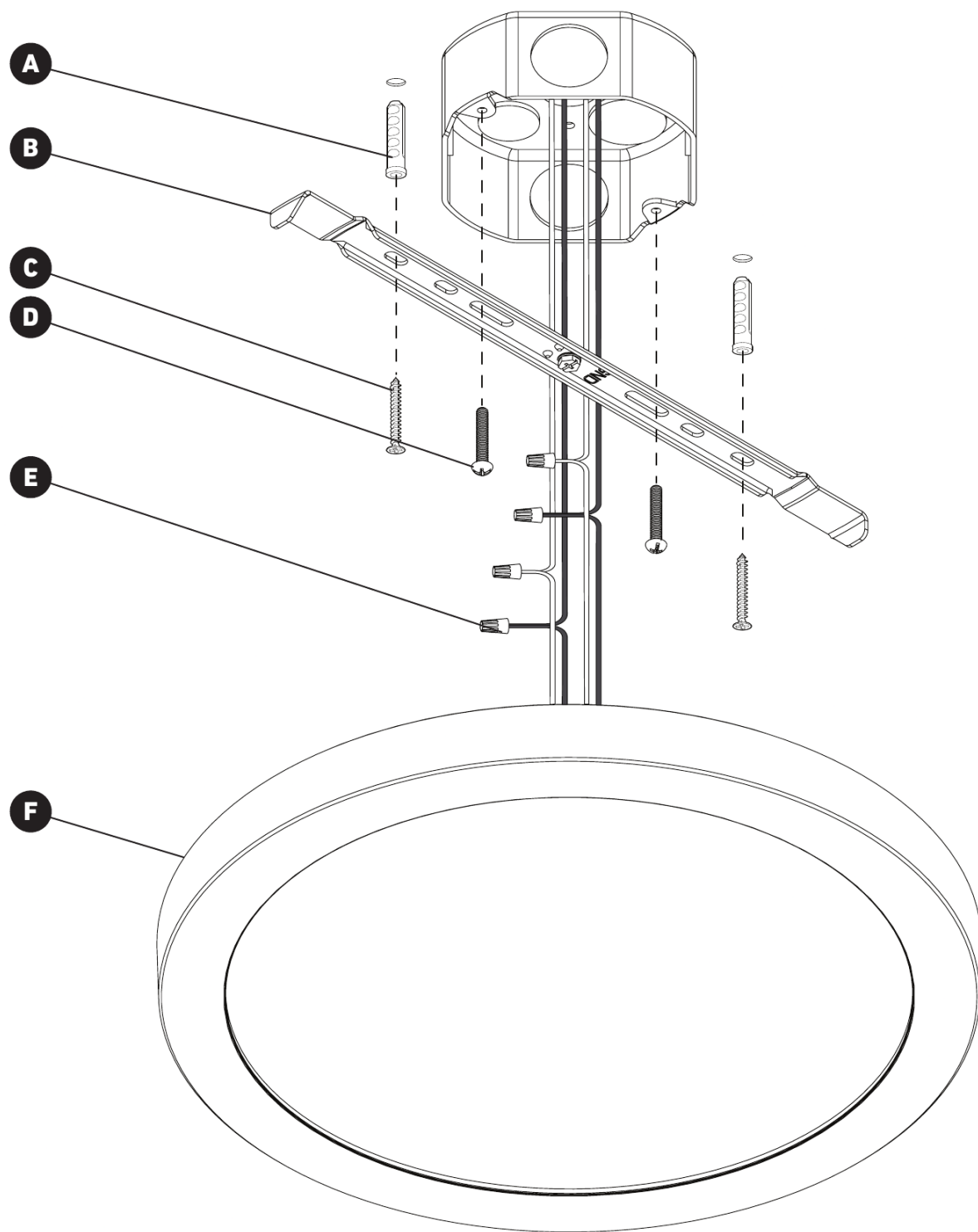
([2AUHG-12FLPR-SP3](#))





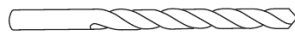

## **INCLUDED HARDWARE**

ITEM PIÈCE PIEZA	DESCRIPTION DESCRIPTION DESCRIPCIÓN	QUANTITY QUANTITÉ CANTIDAD
<b>A</b> 	Wall anchor Ancrage mural Anclaje mural	× 2
<b>B</b> 	Mounting bracket Support de montage Soporte de montaje	× 1
<b>C</b> 	Retaining screw Vis de fixation Tornillo de fijación	× 2
<b>D</b> 	Junction box screw Vis de boîtier de raccordement Tornillo de caja de conexiones	× 2
<b>E</b> 	Wire connector Capuchon de connexion Conector de cable	× 4
<b>F</b> 	LED ceiling light with canopy assembled Plafonnier à DEL avec base assemblée Lámpara LED para techo con dosel ensamblado	× 1

# STEP-BY-STEP INSTALLATION



## WHAT YOU WILL NEED

 Screwdriver Tournevis Destornillador  2	 ¼-in. drill bit (6 mm) Mèche de ¼ po (6 mm) Broca de ¼ plg (6 mm)	 Drill Perceuse Taladro
---	--	---

# **CAUTION**

## **WARNING**

Risk of electrical shock.

Turn off circuit breaker at the panel.

Switch off the main electrical supply from the fuse box/circuit breaker before installing the unit or doing any maintenance.

Do not use outdoors.

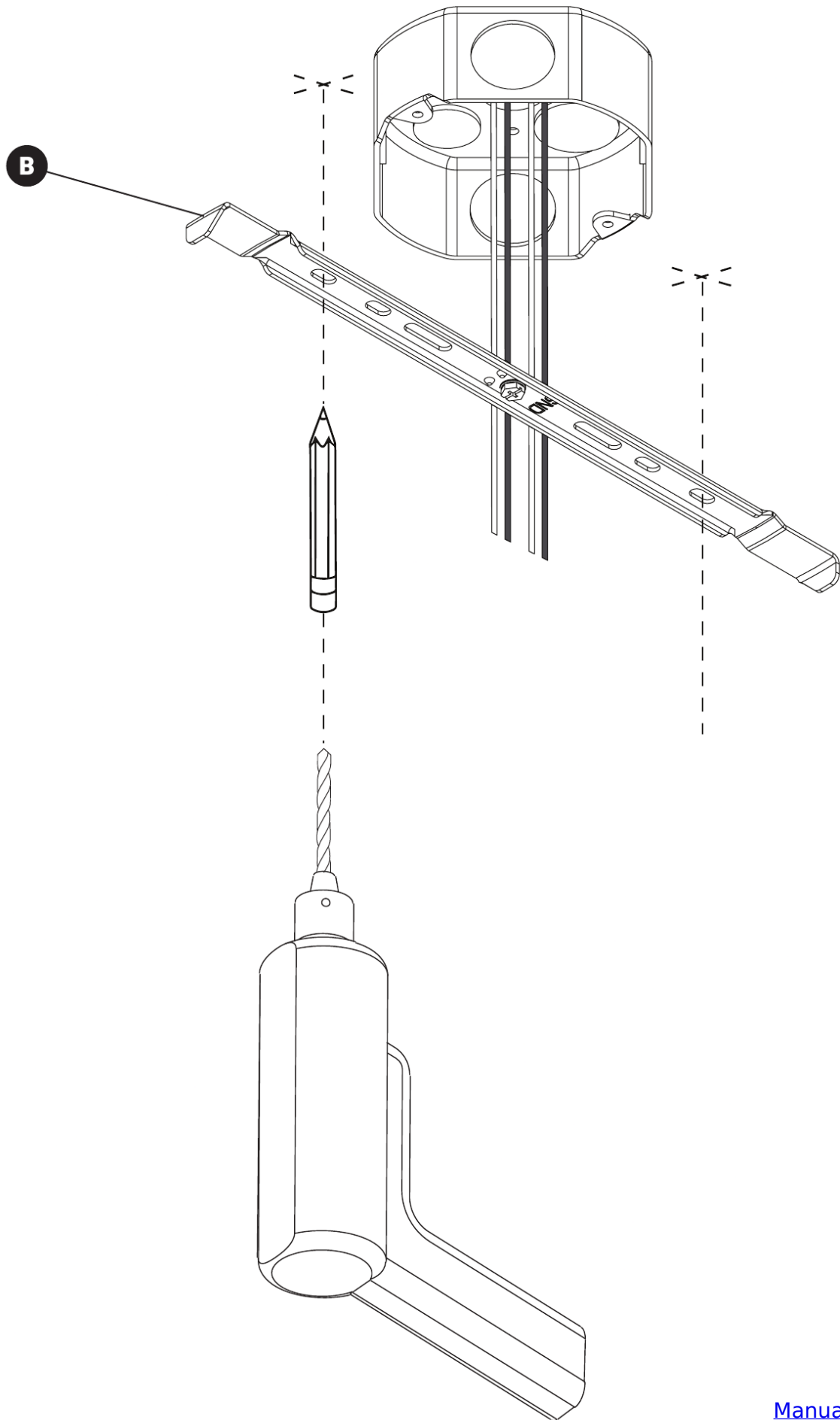
## **CAUTION**

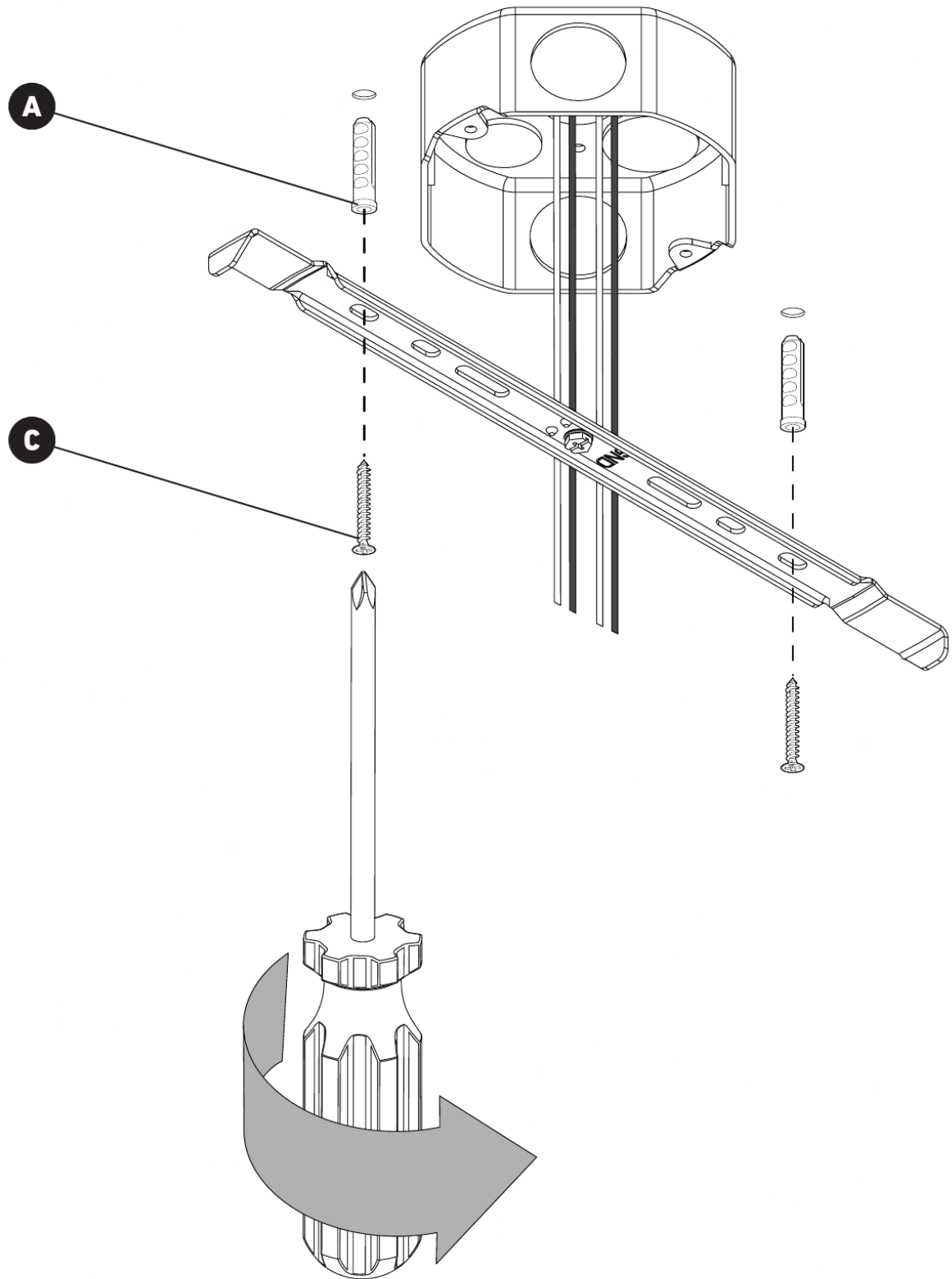
If using a dimmer, it must be LED compatible.

## **IMPORTANT**

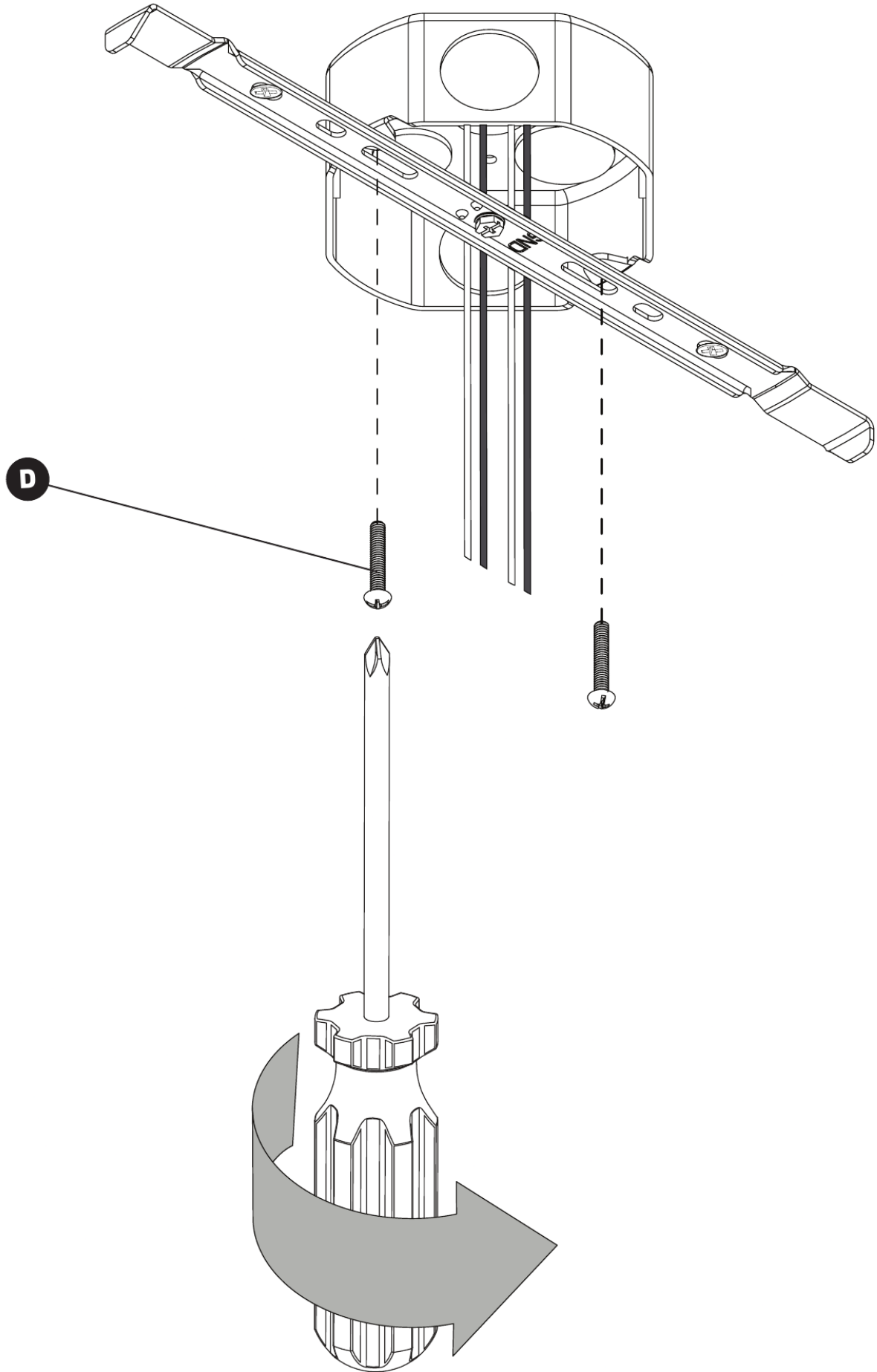
The installer and/or user must read, understand and follow these instructions before installing the product. This product must be properly installed before it is used. If instructions are not followed, the manufacturer will not be held responsible for any problems or product malfunction. Failure to follow installation and/or operating instructions voids the warranty. We recommend that this product be installed by a certified electrician. In some states or provinces, it is a legal requirement for this type of product to be installed by a certified electrician, according to the electrical and building codes in effect in the region where the product is used.

# MOUNTING BRACKET INSTALLATION









# **CONNECTING THE WIRES AND CANOPY INSTALLATION (NO DIMMER)**

**CAUTION:** Do not use these wires unless a 0-10V dimmer is connected. (see P.7)

**ATTENTION :** Ne pas utiliser ces fils à moins d'utiliser un gradateur 0-10V. (voir P.7)

**PRECAUCIÓN:** No use estos cables a menos que esté conectado un atenuador de 0-10 V. (ver P.7)

Purple  
Violet  
Morado

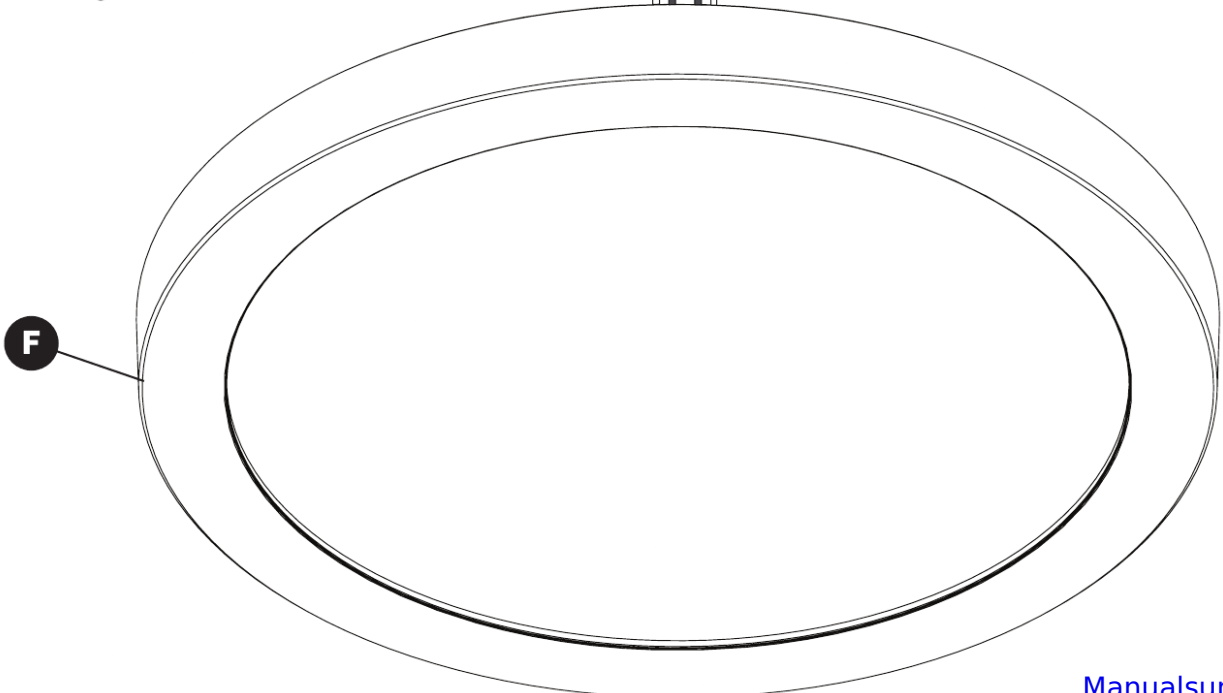
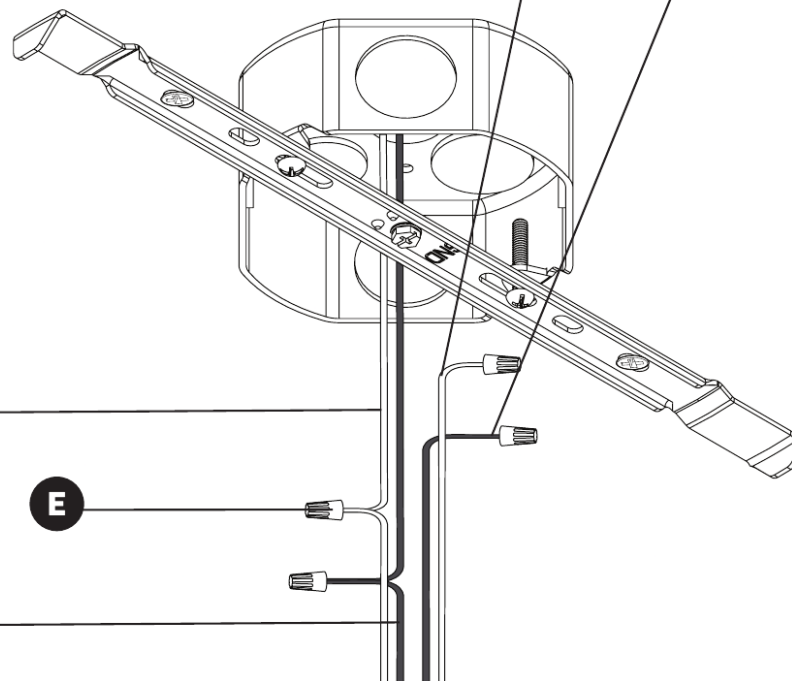
Pink  
Rose  
Rosa

White (N)  
Blanc (N)  
Blanco (N)

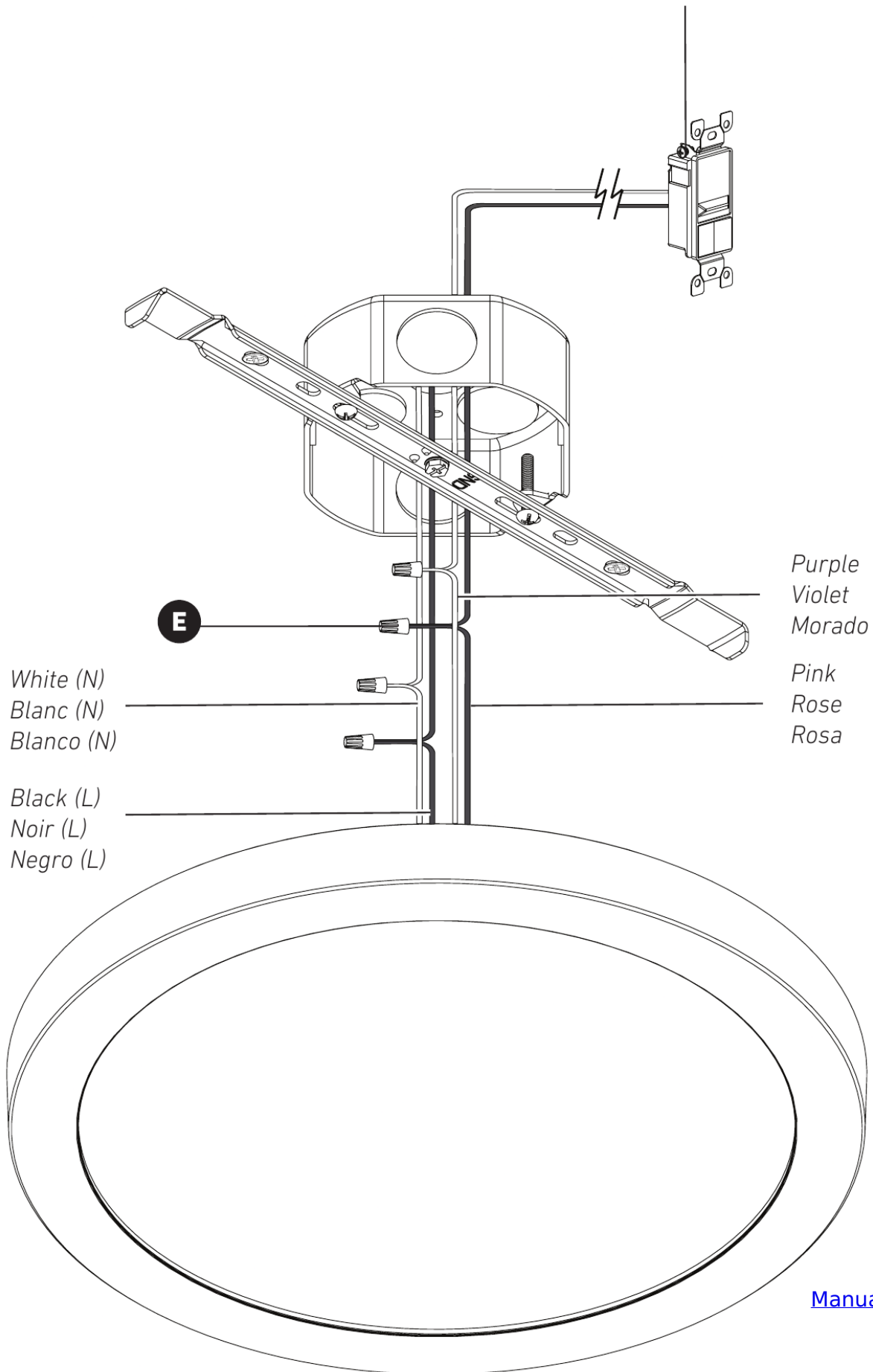
**E**

Black (L)  
Noir (L)  
Negro (L)

**F**



Dimmer 0-10V  
Gradateur 0-10V  
Atenuador 0-10V



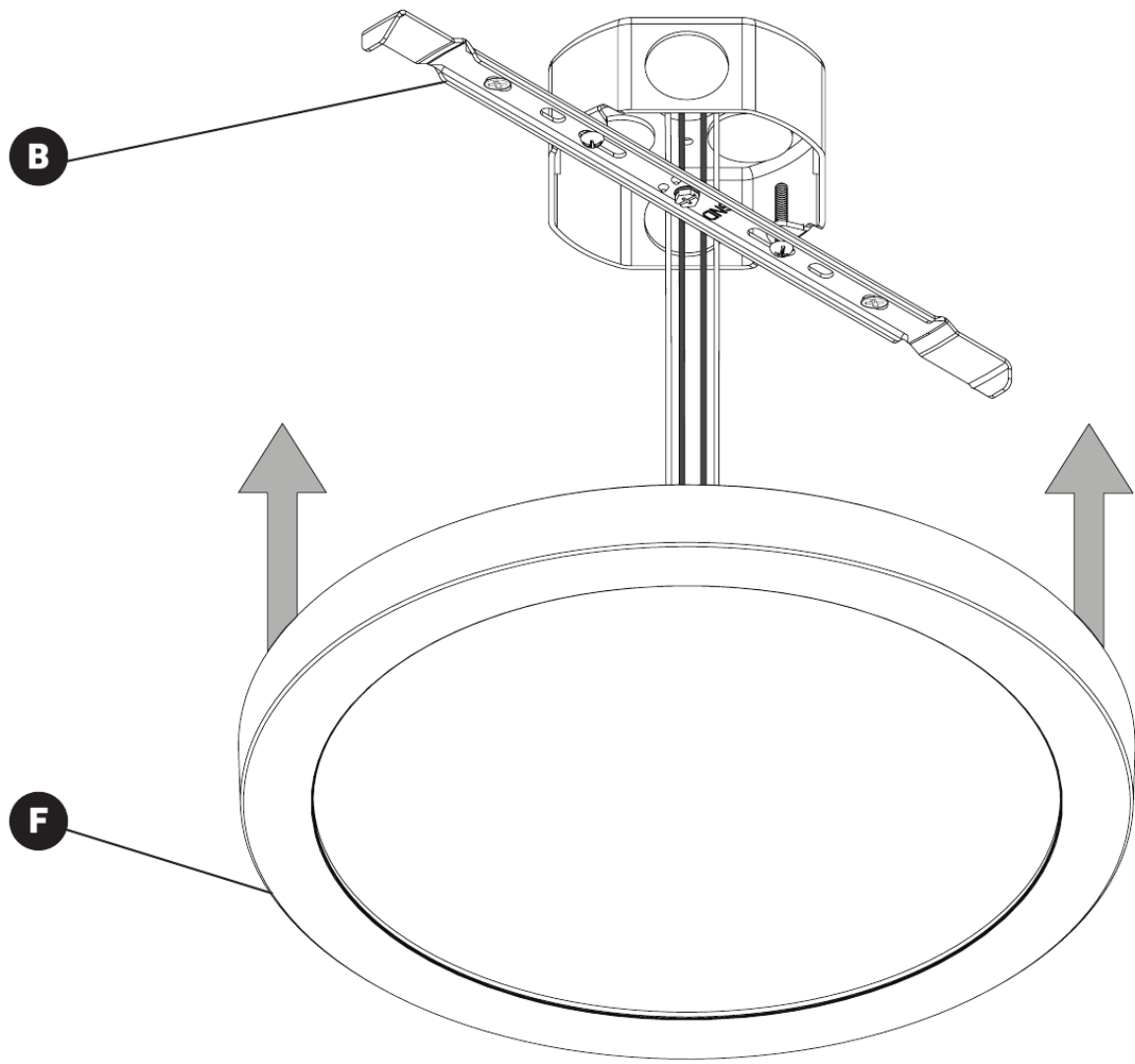
White (N)  
Blanc (N)  
Blanco (N)

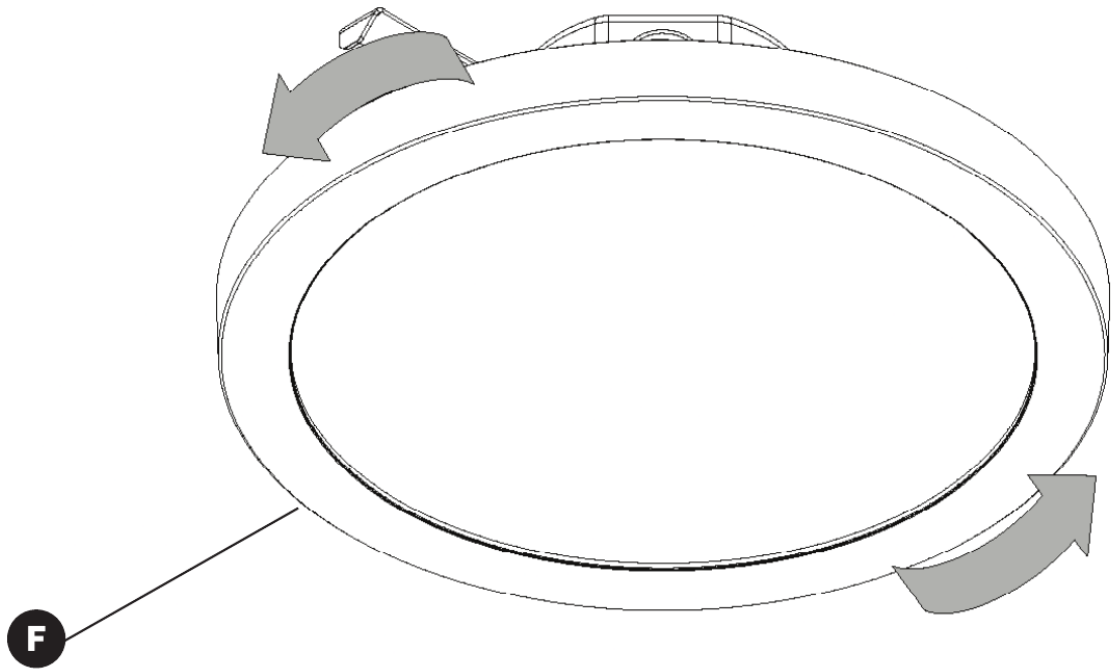
Black (L)  
Noir (L)  
Negro (L)

Purple  
Violet  
Morado

Pink  
Rose  
Rosa

# FINAL INSTALLATION





## WARRANTY

Artika For Living Inc. is proud to offer you a five-year (5) limited warranty on manufacturing defects from the date of purchase for residential use only. The warranty is extended to the original owner in USA, Canada, Mexico, UK, Iceland, France and Spain and is non-transferable. It does not apply to retailers, commercial applications or establishments. The original sales receipt is required for all warranty claims. The remedy under this limited warranty shall be product or part replacement at Artika's discretion as provided herein and cannot exceed the original purchase price.

This warranty is valid only on products installed in accordance with the building code and laws effective in the region where the unit is being used, as well as in accordance with the provided instruction manual. It does not cover products installed incorrectly or subjected to abnormal use. Product(s) or component part(s) may be required to be returned for inspection and verification.

Normal wear and tear, misuse, negligence, vandalism, improper maintenance (surface damage due to chemical interaction or cleaning agents including, but not limited to, scouring pads, use of cleaners containing abrasives, alcohol or other organic solvents) improper handling, accident, abuse, fire, flood, theft, acts of God, neglect, or alteration of the product will not be covered under this limited warranty. It excludes any accessories that accompany the product including, but not limited, to bulbs or batteries. The warranty does not cover handling, labour, transportation, or any other cost associated with the installation or replacement of the product. This limited warranty is valid in the country of purchase and by Artika authorized retailers only.

Artika for Living Inc. will not be held responsible for any direct or consequential damages or injuries related to the use of this product arising from improper use or installation of this product.

Please visit [www.artika.com](http://www.artika.com) to discover more about Artika for Living Inc.

Artika For Living Inc. 1756, 50<sup>e</sup> Avenue Montréal (Lachine), Québec Canada  
H8T 2V5

1-866-661-9606

[support@artika.com](mailto:support@artika.com)

[www.artika.com](http://www.artika.com)

