

[ASKEY Outdoor WiFi6 AP User Guide](#)

[Manualsum](#), simplified manuals

Table of Contents

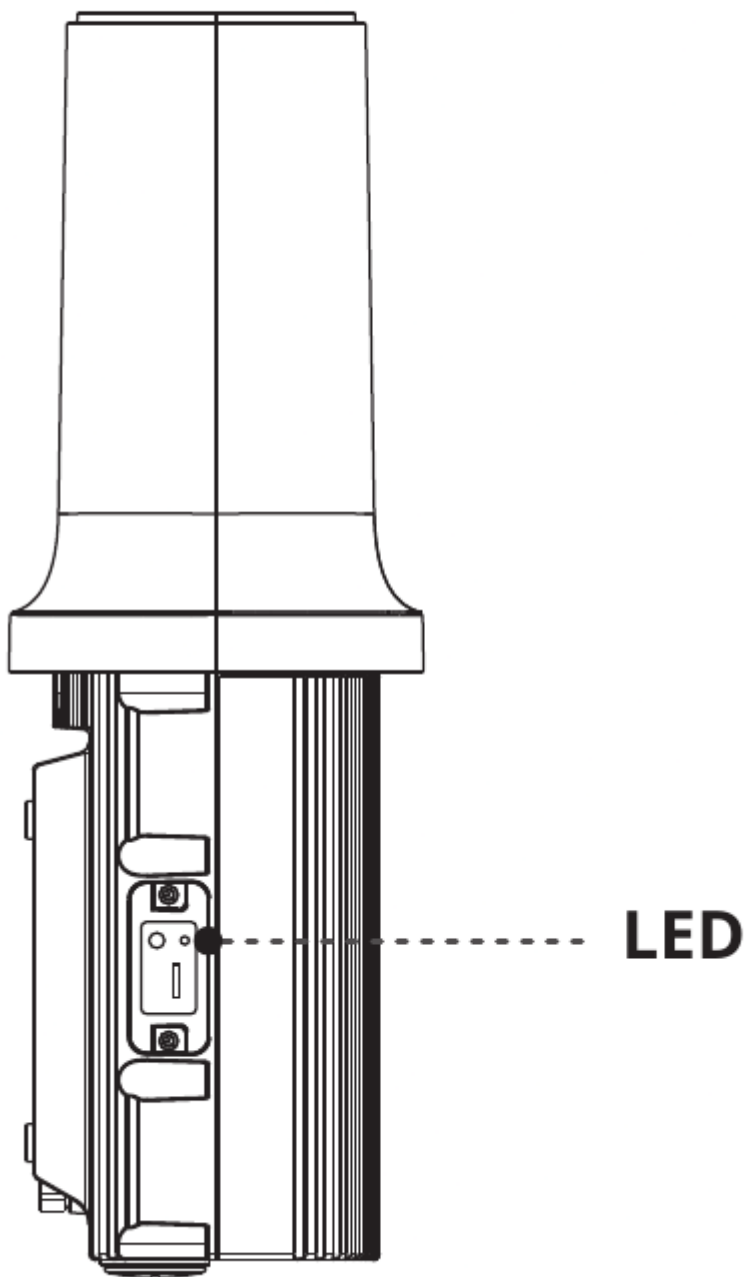
- [ASKEY Outdoor WiFi6 AP User Guide](#)
 - [LED behaviors](#)
 - [In the box](#)
 - [Wall mount bracket installation](#)
 - [Pole Mount Installation](#)
 - [Web UI Login](#)

ASKEY Outdoor WiFi6 AP User Guide

ASKEY Outdoor WiFi6 AP User Guide

([H8NEAO2522P-2](#))

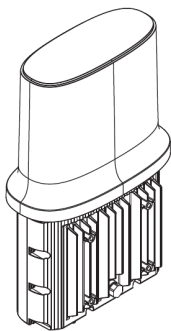
LED behaviors



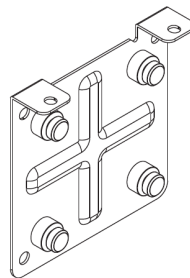
COLOR	STATUS	DESCRIPTION
AMBER	Blinking	Device is being powered on
AMBER ↕ RED	Blinking	Device is in firmware upgrade process
GREEN	Solid on	Device is in service
AMBER	Solid on	Device is out of service
RED	Solid on	Device is abnormal with serious error
BLUE	Solid on	Device is in service but has problem on Ethernet

COLOR	STATUS	DESCRIPTION
AMBER	Blinking	Device is being turned on
AMBER <-> RED	Blinking	Device is in firmware upgrade process
GREEN	Solid On	Device is in service
AMBER	Solid On	Device is out of service
RED	Solid On	Device is abnormal with serious error
BLUE	Solid On	Device is in service but has problem on Ethernet

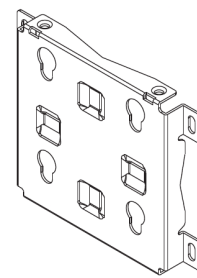
In the box



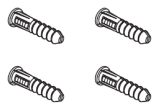
Access Point X 1



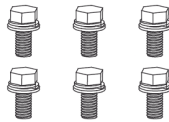
Wall mount bracket A



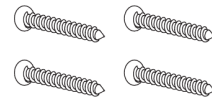
Wall mount bracket B



Wall Anchor set X 4



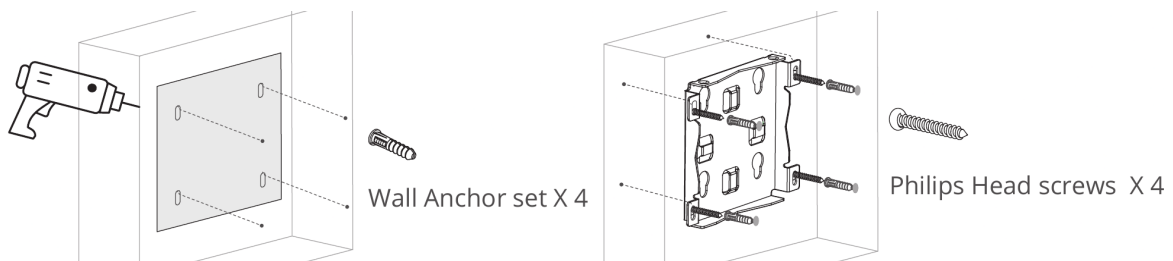
Hex Head screws X 6



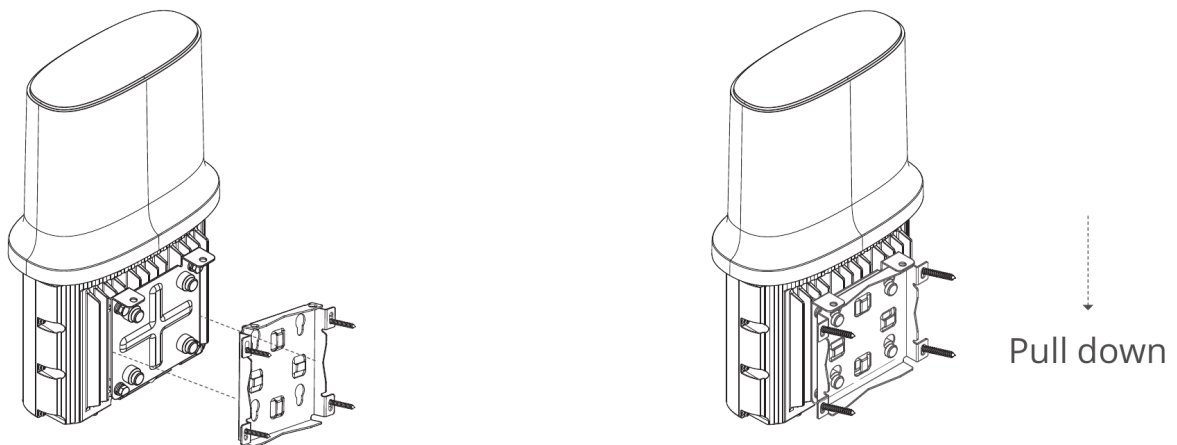
Philips Head screws X 4

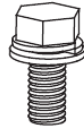
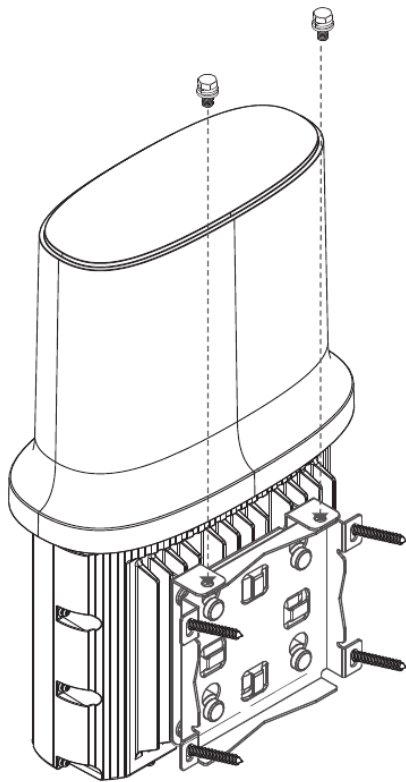
Wall mount bracket installation

1. Mount the AP to bracket-A with the the 4 screws with hex head.
2. Drill holes on the drywall and insert the wall anchor, then use philips head screw to mount bracket B to wall.



3. Lock bracket A and B together and use the hex head screw to fix both together.

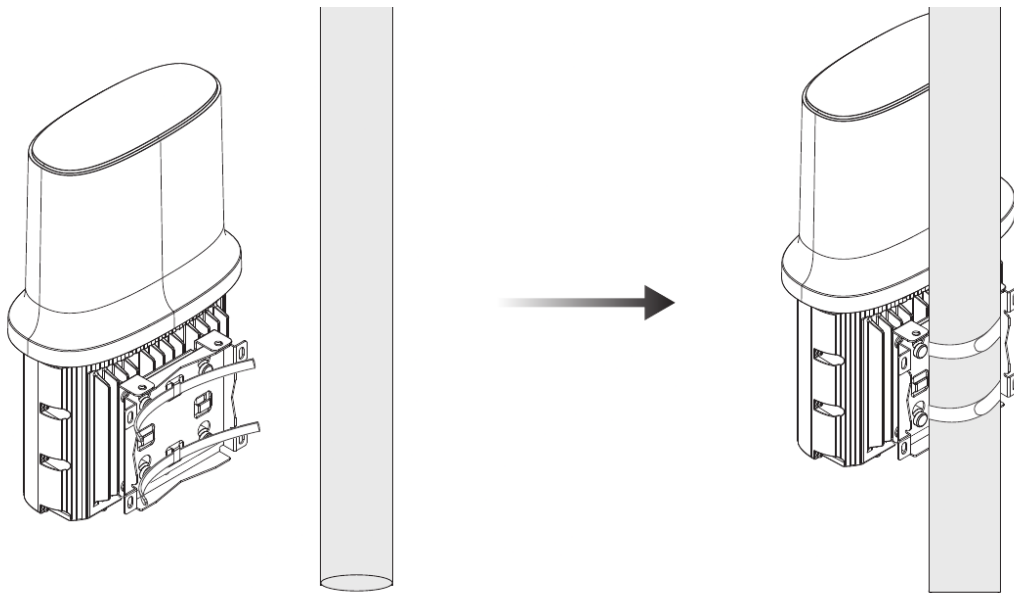




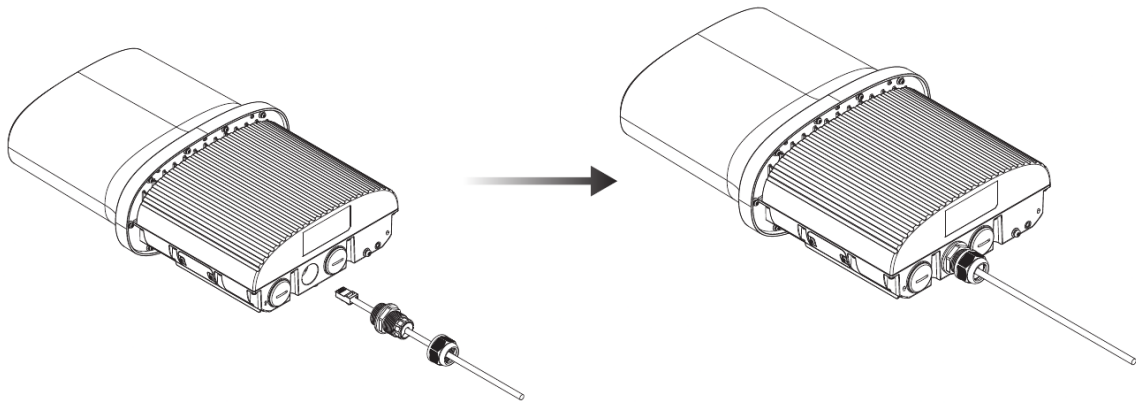
Hex Head screws X 2

Pole Mount Installation

1. Use metal hoop to tie bracket-A to pole.
2. Fasten the metal hoop and all the screws.



3. This outdoor AP has only one power Input through POE+. Please connect the POE+(802.3at) port to a POE+ switch or injector with ethernet cable, and for waterproof installation please refer to the below instruction.



Web UI Login

In order to login WebUI, please

1. Manually modify the IP address of your own laptop to 192.168.0.2
2. Connect the device and laptop via Ethernet
3. Open <https://192.168.0.1/> in the browser, then use the admin/password shown on the back of the device to login

