

[Aigo TA51 Bluetooth Earphones User Manual](#)

[Manualsum](#), simplified manuals

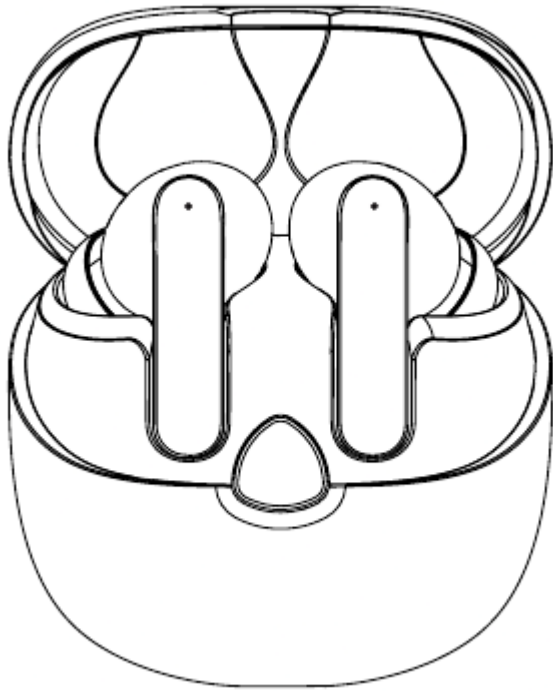
Table of Contents

- [Aigo TA51 Bluetooth Earphones User Manual](#)
 - [Important Disclaimer](#)
 - [MATTERS NEED ATTENTION](#)
 - [PARTS LIST](#)
 - [Product Profile](#)
 - [KEY DESCRIPTION](#)
 - [Charge](#)
 - [Indicator light of charge case](#)
 - [Power on/off](#)
 - [Paring and Connection](#)
 - [Situation of pairing](#)
 - [Earbuds connect mobile phone](#)
 - [Pairing back](#)
 - [Instruction](#)
 - [Specification](#)

Aigo TA51 Bluetooth Earphones User Manual

Aigo TA51 Bluetooth Earphones User Manual

FCC id: [2ASNB-TA51](#)



To ensure the best user experience, please read this guide carefully and keep it in a safe place for future reference.

Important Disclaimer

1. Thank you for purchasing the Aigo Wireless Headset from Beijing EROS Technology Co., Ltd.. Please read this user manual carefully before using this product. When you start to use this product, the Company considers that you have carefully read this user's manual.
2. Please fill in the "Product Three Pack Certificate Return Receipt" and mail or send it to our Company for registration within one month of purchasing the product to provide you with better service.
3. The contents covered in this manual are subject to the latest information at the time of writing, and the product is subject to change without notice. If necessary, you can visit the website of Beijing Aiyushi Technology Co., Ltd. at www.eroshifi.com to search.
4. The headset's power connector is designed for built-in battery charging. Please use the computer USB port or meet the national standard power adapter for charging this machine. Please do not access other power supply equipment. Otherwise, it will likely cause irreparable consequences such as failure to prosecute or data and hardware damage, for which the Company does not assume any responsibility.
5. Please only repair or disassemble the product by yourself; otherwise, we will not be able to provide you with standard after-sales service.

The Company is not responsible for editorial errors or omissions in this document; because of the continuous improvement of the product, the Company reserves the right to modify the product specifications without [Manualsum](#)

prior notice, and the contents of this document may change without notice to the user; no part of this manual may copy, reproduced or transmitted for any purpose or by any means without the prior written permission of the Company; please keep this manual in a safe place for future reference.

Please keep this manual in a safe place for future reference.

MATTERS NEED ATTENTION

This product is a precision electronic product and requires special attention in use.

1. Please keep the product from the electromagnetic environment, excessive humidity, smoke and dust, and other harsh environments.
2. Please do not separate or modify the product.
3. Please do not use any corrosive or abrasive cleaning agents to clean the headset.
4. The device should not be immersed in water.
5. Please do not squeeze the product with excessive force.
6. Do not place the product in direct sunlight or a fire environment; avoid high and low temperatures.
7. Please do not shake or hit the product violently.
8. It is recommended to turn down the volume of the product before using the headphones and gradually increase the volume after starting to listen until it is suitable. To protect your hearing, do not turn the volume up too high (doctors say that listening at high volumes for long periods can damage the listener's hearing). If you experience tinnitus, turn down the volume or stop using it.
9. Ensure that the product is placed safely so that children do not touch or drop it.
10. The USB connection to the computer may become hot over time, so it is recommended that you unplug it from the USB port after charging.
11. Please do not disassemble the unit without permission. Otherwise, you will lose your warranty; if you have any questions, don't hesitate to contact your dealer.
12. Changes will be made without notice due to the performance and function of the product. If the manual is inconsistent with the actual product, please refer to the actual product.
13. Do not use the headset when driving, riding, operating the machine, or performing work that requires attention to external sound;
14. Battery charging precautions.

• A

The battery in this headset is a polymer carb battery that can recharge and use repeatedly. The battery must charge for more than 2 hours on the first few charges, and the battery must be used each time before recharging to extend its life.

• B

After a full charge, it is recommended to continue charging for half an hour to ensure longer playback time.

- **C**

Potassium batteries must be replaced by customer service personnel. The user must not replace them (note: if the battery is not replaced correctly, there is a risk of explosion, only replace the battery with the same type or equivalent); Waste batteries to protect the environment; disused batteries should be given to professional organizations for recycling.

- **D**

The battery's life may vary depending on the conditions of use and production time.

15. Charging: The unit can only be charged through the USB port of a computer or by using a 5V500mA adapter that meets the national standard.

16. This product may be updated due to software and the actual use of the manual content differences; please refer to the purchase of the product shall prevail, operating instructions, and pictures for reference only.

PARTS LIST

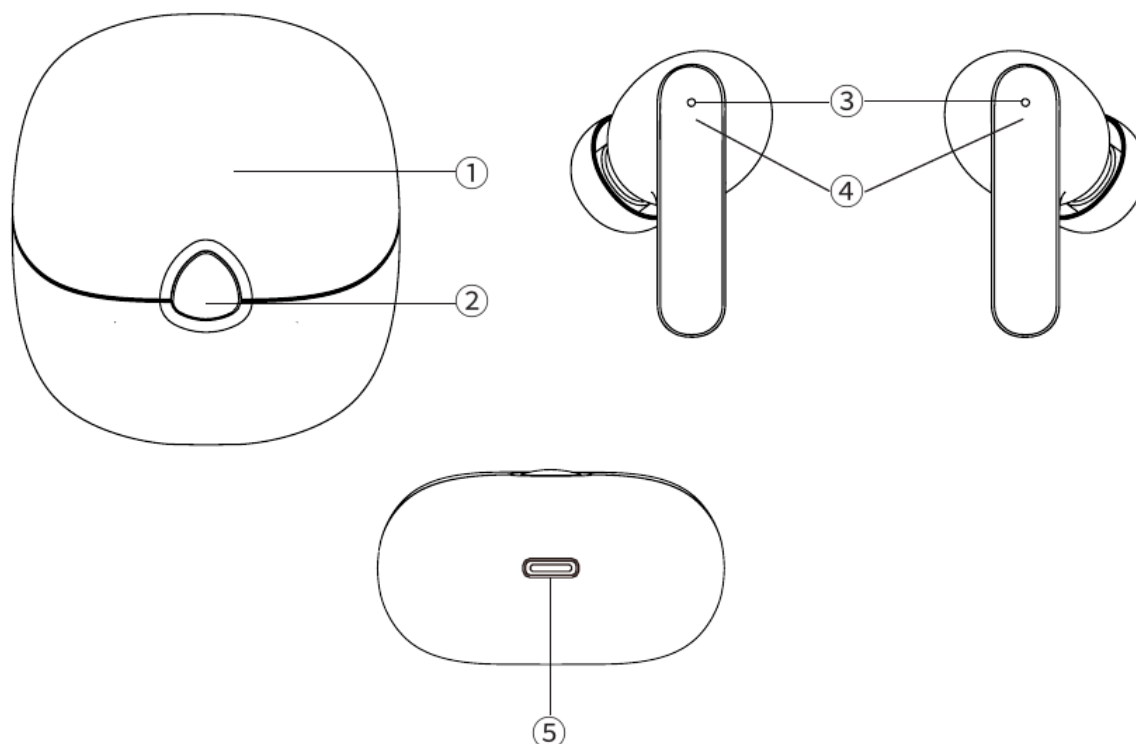
Headphones	2 pieces
Charging compartment	1 piece
Charging cable	1 bar
User's guide	1 book
Earplug	3 pairs

The product accessories are subject to the actual product in the package.

Product Profile

1. Apply HIFI mic, provide clear calling.
2. 10mm huge diaphragm, enjoy the music free.
3. Ergonomic design, comfortable wear
4. Version 5.4 Bluetooth, stable transmission and better compatibility.
5. Touch control bring convenience.
6. Intelligent starting, connection freely
7. Charge case with USB-C port, efficiency recharge.

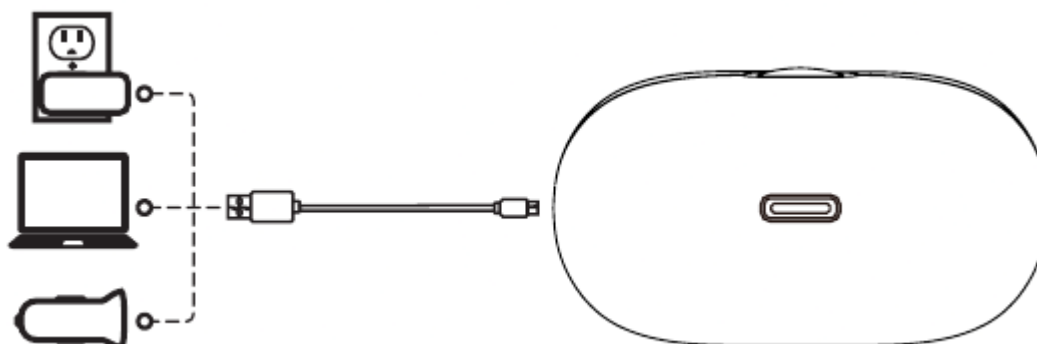
KEY DESCRIPTION



1. Charge case
2. Indicator light of charge case zone
3. Indicator light of earbuds zone
4. Touch zone
5. USB-C port

Charge

First time use (re-starting before will not be use long time), please put the earbuds in the charge case first. Charging 2hrs by 5V/500mA adaption with attached charge cable.



Indicator light of charge case

Charging: Indicator light of charge case flashing, full charge status that indicator light always on.

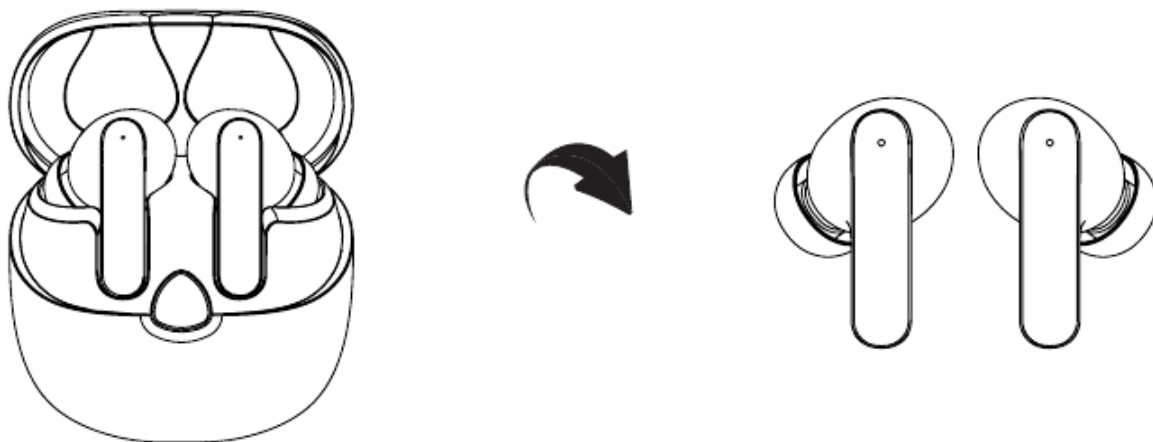
While the charge case recharging the earbuds that present battery capacity indicator light always on. When the charge finish, indicator lights off.

Low battery: indicator light of charge case flashing.

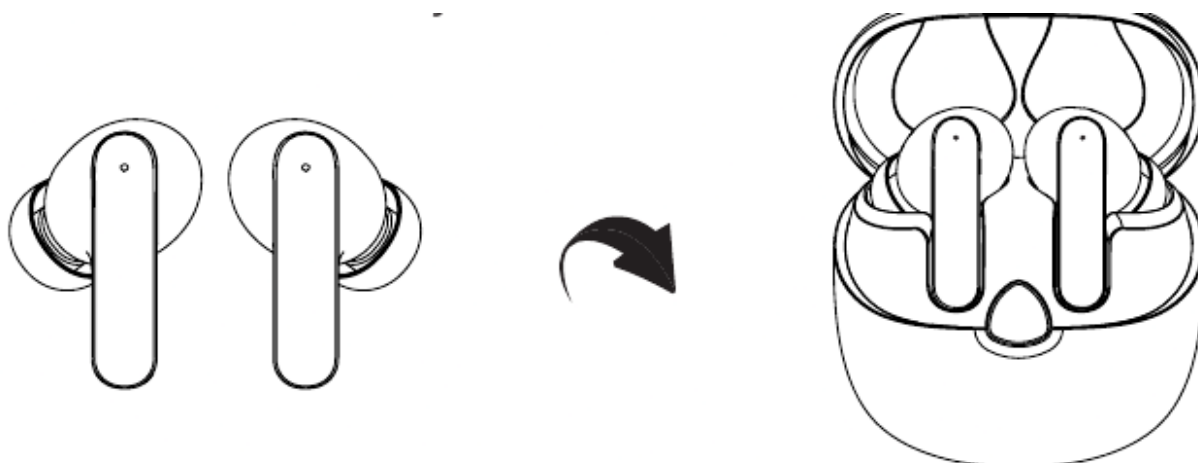
Note: If intend not use product long time, please charge once per 2 months.

Power on/off

Power on: open the charge case cap, take earbuds out, earbuds turn on automatically



Power off: put earbuds back to the charge case, close the charge case. earbuds turn off automatically a



Note: When the battery compartment is empty, the earbuds will not turn on and off automatically if the headset is taken out or put in.

Paring and Connection

Situation of pairing

1. Open the charge case cap, take earbuds out, left/right will turn on automatically. If earbuds not any device pairing, waiting for pairing automatically.
2. Paired status with mobile, if turn the Bluetooth off manually, earbuds will going to pairing mode automatically.

Earbuds connect mobile phone

The earbuds on the pairing mode, select “aigo TA51” for pairing in the mobile Bluetooth menu .

Pairing back

1. Automatically connection when the left/right start working.
2. Earbuds pairing with mobile successful once, earbuds will connect phone automatically after earbuds working.

Note: Earbuds will turn off that not any device connect with earbuds.

Instruction

- **Calling accept/ Hang up**

Tap touch zone once

- **Calling Ejection**

Tap touch zone twice

- **Active the voice assistance**

Press touch zone 2 seconds, active the voice assistance.

- **Play/Pause**

Tap touch zone once, music play or pause

- **Next song**

Tap touch zone twice

- **Previous song**

Tap touch zone three time

Specification

Product: TA51

Pairing name: aigo TA51

Calling time: 3hrs approximate

Music time: 6.5hrs approximate (30% volume) / 6.3hrs approximate (50% volume) / 6hrs approximate (70% volume)

Charge case recharge time: 2hrs approximate

version: V5.4

Support protocol: HSP / HFP / A2DP /AVRCP

Sound encoding: SBC/AAC

Range of transmission: 10m/ Class 2

Earbuds battery: 3.7V 40mAh*2 Lithium polymer battery

Charge case battery: 3.7V 300mAh Lithium polymer battery

Charge voltage and Aper: DC5V, 500mA

Speaker: 2 x 10mm, 32 Q£10%

Working temperature: -10°C to 40°C

In the table, the music playtime data by aiyueshi laboratory. Actual music playtime would be different that according to any condition, please refer by actual use.

Aigo TA51 Bluetooth Earphones User Manual