

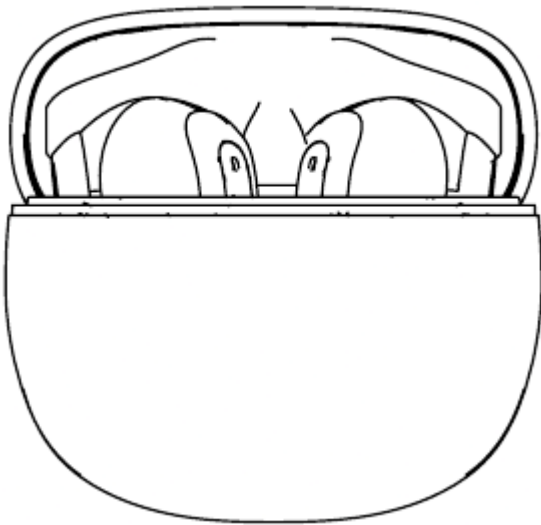
# TJ150 True Wireless Stereo Bluetooth Headset User Manual

## Manualsum, simplified manuals

### Table of Contents

- [Aigo TJ150 Stereo Bluetooth Headset User Manual](#)
  - [MATTERS NEED ATTENTION](#)
  - [PARTS LIST](#)
  - [KEY DESCRIPTION](#)
  - [Charge](#)
  - [Power on / off](#)
  - [Pairing and Connection](#)
    - ■ ■ ■ [Situation of pairing](#)
    - [Earbuds connect mobile phone](#)
    - [Pairing back](#)
  - [Instruction](#)
- [Specification](#)

# Aigo TJ150 Stereo Bluetooth Headset User Manual



## MATTERS NEED ATTENTION

1. Please keep the product from the electromagnetic environment, excessive humidity, smoke and dust, and other harsh environments.
2. Please do not separate or modify the product.
3. Please do not use any corrosive or abrasive cleaning agents to clean the headset.
4. The device should not be immersed in water.
5. Please do not squeeze the product with excessive force.
6. Do not place the product in direct sunlight or a fire environment; avoid high and low temperatures.
7. Please do not shake or hit the product violently.
8. It is recommended to turn down the volume of the product before using the headphones and gradually increase the volume after starting to listen until it is suitable. To protect your hearing, do not turn the volume up too high (doctors say that listening at high volumes for long periods can damage the listener's hearing). If you experience tinnitus, turn down the volume or stop using it.
9. Ensure that the product is placed safely so that children do not touch or drop it.
10. The USB connection to the computer may become hot over time, so it is recommended that you unplug it from the USB port after charging.
11. Please do not disassemble the unit without permission. Otherwise, you will lose your warranty; if you have any questions, don't hesitate to contact your dealer.
12. Changes will be made without notice due to the performance and function of the product. If the manual is inconsistent with the actual product, please refer to the actual product.
13. Do not use the headset when driving, riding, operating the machine, or performing work that requires attention to external sound;

14. Battery charging precautions.
15. Charging: The unit can only be charged through the USB port of a computer or by using a 5V500mA adapter that meets the national standard.
16. This product may update due to software and the actual use of the manual content differences; please refer to the purchase of the product shall prevail, operating instructions, and pictures for reference only.

#### A

The battery in this headset is a polymer carb battery that can recharge and use repeatedly. The storm must charge for more than 2 hours on the first few charges, and the battery must use up each time before recharging to extend its life.

#### B

After a full charge, it is recommended to continue charging for half an hour to ensure longer playback time.

#### C

Potassium batteries must replace by customer service personnel. The user must not replace them (note: if the battery is not replaced correctly, there is a risk of explosion, only replace the battery with the same type or equivalent); Waste batteries to protect the environment; disused batteries should give to professional organizations for recycling.

#### D

The battery's life may vary depending on the conditions of use and production time.

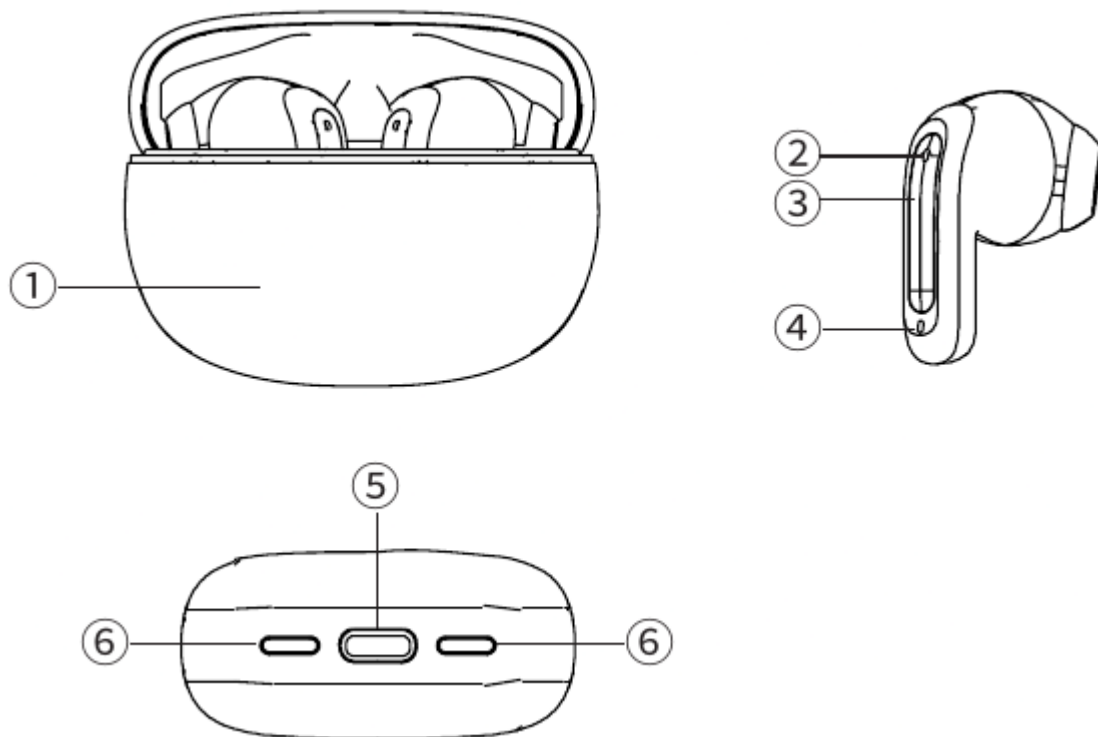
## **PARTS LIST**

Headphones	2 pieces
Charging compartment	1 piece
Charging cable	1 bar
User's guide	1 book

The product accessories are subject to the actual product in the package.

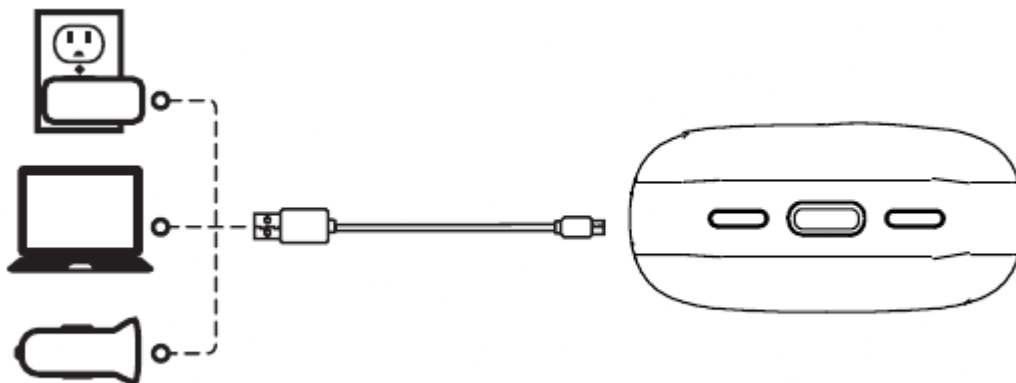
## **KEY DESCRIPTION**

1. Charge case
2. Indicator light of earbuds zone
3. Touch zone
4. Microphone vent
5. USB-Cport
6. Indicator light of charge case zone



## Charge

First time use (re-starting before will not be use long time), please put the earbuds in the charge case first. Charging 2hrs by 5V/500mA adaption with attached charge cable.



### Indicator light of charge case

**Charging:** Indicator light of charge case flashing, full charge status that indicator light always on.

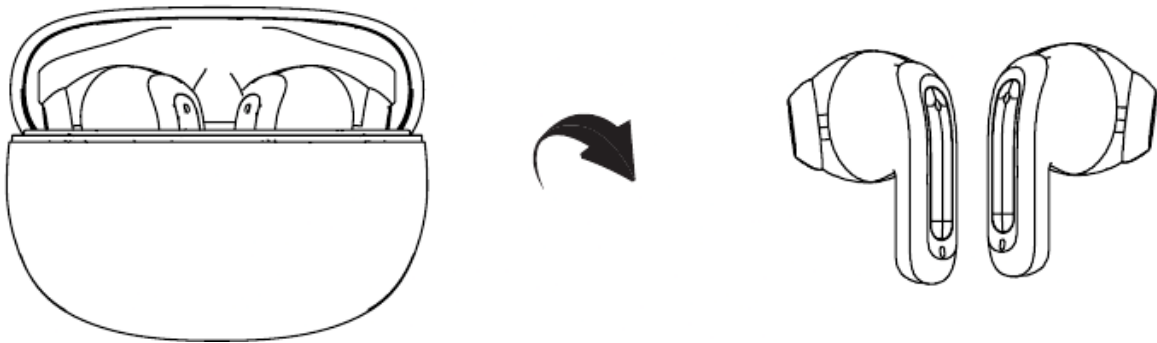
While the charge case recharging the earbuds that present battery capacity indicator light always on. When the charge finish, indicator lights off.

**Low battery:** indicator light of charge case flashing.

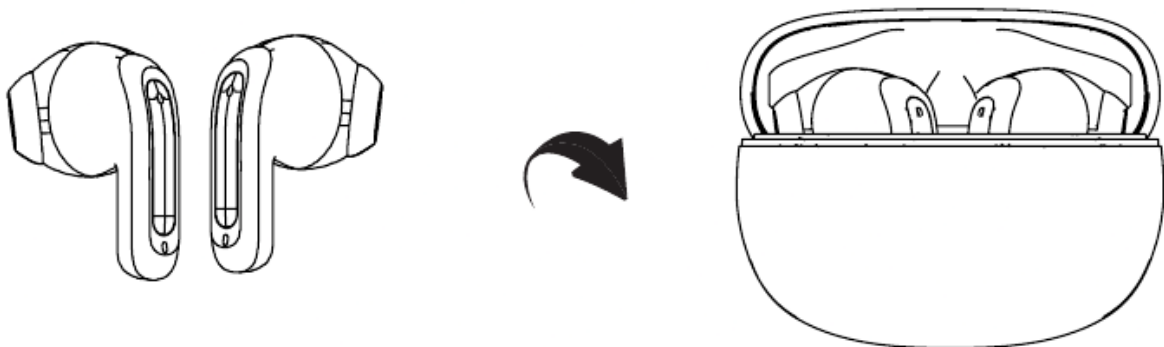
**Note:** If intend not use product long time, please charge once per 2 months.

## Power on / off

**Power on:** open the charge case cap, take earbuds out, earbuds turn on automatically



**Power off:** put earbuds back to the charge case, close the charge case. earbuds turn off automatically



**Note:** When the battery compartment is empty, the earbuds will not turn on and off automatically if the headset is taken out or put in.

## Pairing and Connection

### Situation of pairing

1. Open the charge case cap, take earbuds out, left/right will turn on automatically. If earbuds not any device pairing, waiting for pairing automatically.
2. Paired status with mobile, if turn the Bluetooth off manually, earbuds will going to pairing mode automatically.

## **Earbuds connect mobile phone**

The earbuds on the pairing mode, select “aigo TJ150” for pairing in the mobile Bluetooth menu .

## **Pairing back**

1. Automatically connection when the left/right start working.
2. Earbuds pairing with mobile successful once, earbuds will connect phone automatically after earbuds working.

**Note:** Earbuds will turn off that not any device connect with earbuds.

# **Instruction**

## **Calling accept/ Hang up**

Tap touch zone once

## **Calling Ejection**

Tap touch zone twice

## **Active the voice assistance**

Press touch zone 2 seconds, active the voice assistance.

## **Play/Pause**

Tap touch zone once, music play or pause

## **Next song**

Tap touch zone twice

## **Previous song**

Tap touch zone three time

# **Specification**

**Product:** TJ150

**Pairing name:** aigo TJ150

**Calling time:** 3hrs approximate

**Music time:** 5hrs approximate

**Charge case recharge time:** 2hrs approximate

**version:** V5.4

[Manualsum](#)

**Support protocol:** HSP / HFP / A2DP /AVRCP

**Sound encoding:** SBC/AAC

**Range of transmission:** 10m/ Class 2

**Earbuds battery:** 3.7V 25mAh\*2 Lithium polymer battery

**Charge case battery:** 3.7V 220mAh Lithium polymer battery

**Charge voltage and Ape:** DC5V, 500mA

**Speaker:** 2 x  $\phi$  13mm, 32 Q+ $\pm$ 10%

**Working temperature:** -10°C to 40°C