

# [G-Speaker Smart Bluetooth Speaker User Manual](#)

## [Manualsum](#), simplified manuals

### Table of Contents

- [G-speaker Smart Bluetooth Speaker User Manual](#)
  - [Respected users:](#)
  - [Schematic diagram of control panel](#)
  - [How to charge](#)
  - [Bluetooth connection](#)
  - [Specification](#)

# G-speaker Smart Bluetooth Speaker User Manual

G-speaker Smart Bluetooth Speaker User Manual

Dongguan Machong Bingo Household Goods Business Department Smart Bluetooth Speaker User Manual

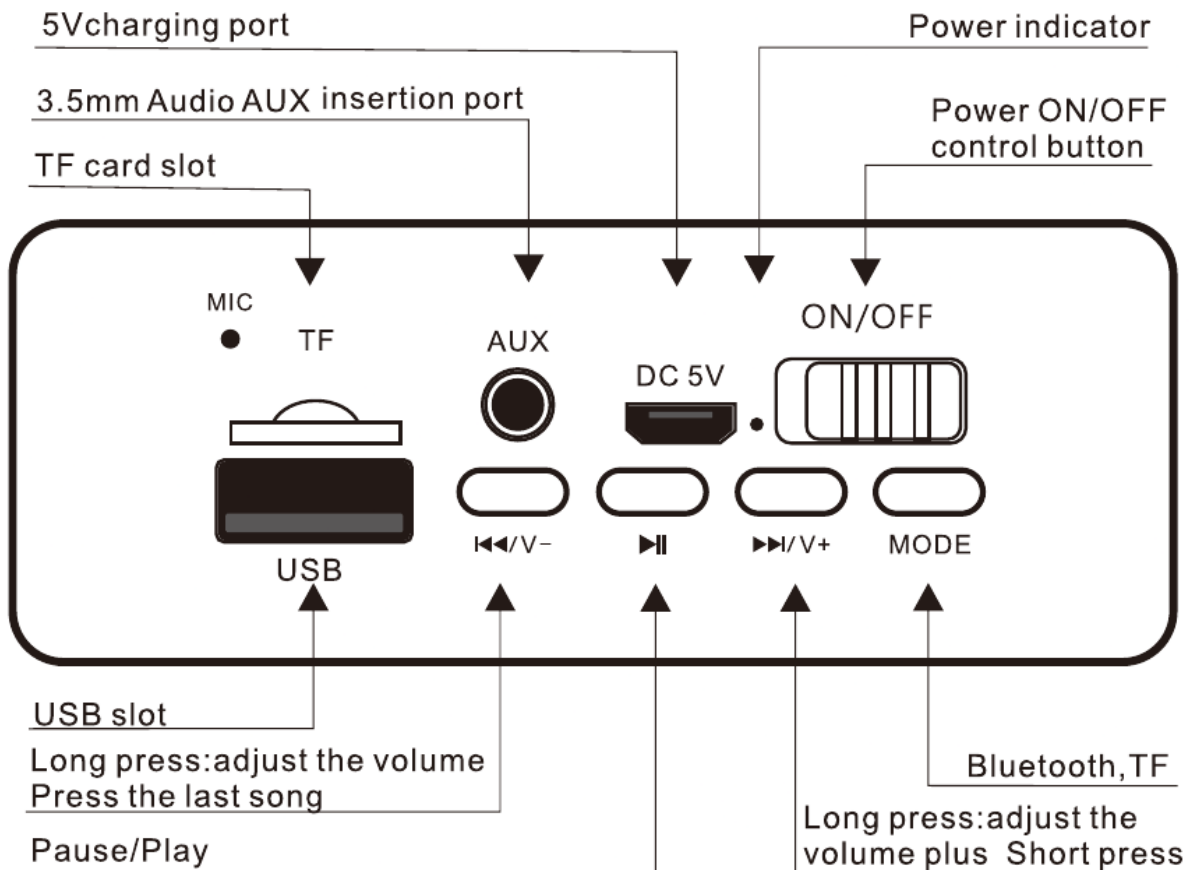
FCC id: [2BHXW-G10](#)

## **Respected users:**

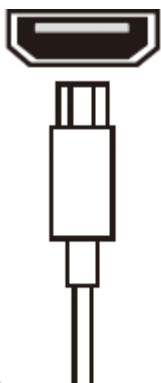
thank you for purchasing our production of Bluetooth speakers, thank you for your support to us! Please read this manual carefully before use.

We are not responsible for any personal injury or product damage caused by improper use.

# Schematic diagram of control panel



## How to charge



1. Connect the charging cable to the DC5V charging port

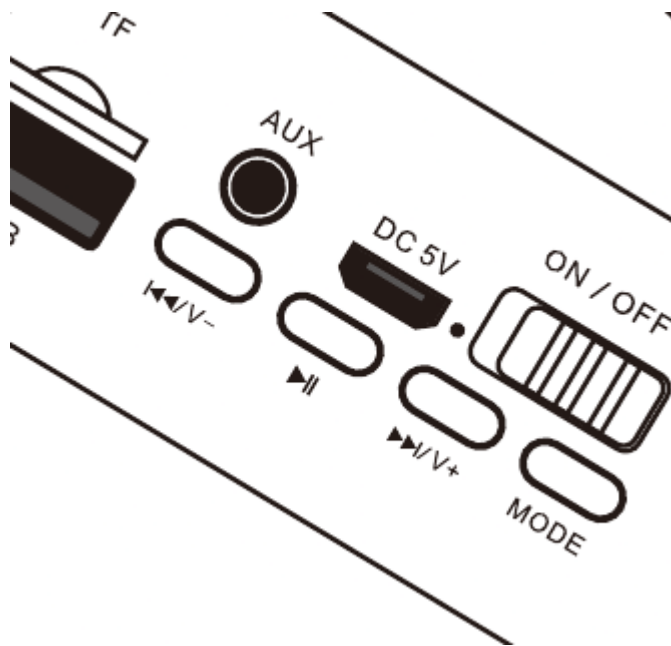


2. The Red Light is on to indicate that it is charging and the red light is off to indicate that it is full

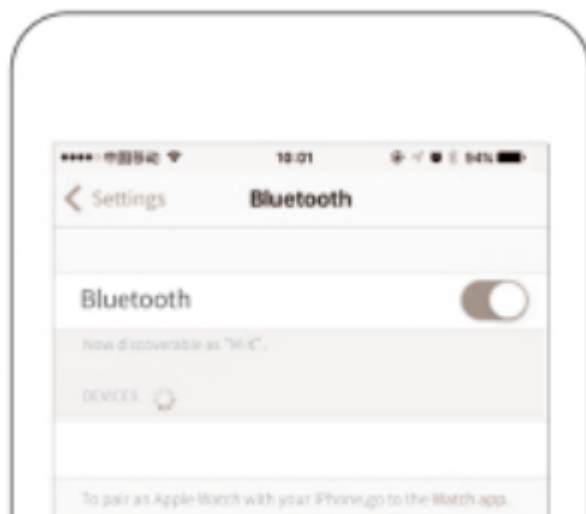
**Tip:** When fully charged, unplug the charging cord in time

## Bluetooth connection

Please turn on the speaker switch



Open the connection to your mobile device and go to the settings window



Find "G-speaker" in the Bluetooth Connection List

When a message indicates that the connection was successful, the connection has been completed



## Specification

- **Built-in Battery voltage:** 3.7V
- **Battery Capacity:** 1200mAh
- **Charging voltage:** 5V 500mA
- **Speaker driver:** 52mm 4Q5W
- **Frequency response:** 60Hz—18KHz
- **S/N Ratio:** 265dB

- Speaker with clock
- You buy and sell our products with a clock function, if the clock display and your time zone, the time is not accurate; please take out the clock to adjust the exact time in your time zone. And then put it back where it belongs.
- **(Note:** This Bluetooth Speaker clock function is for the clock version only)
- Points to note
- In order to prevent any fire or electrical danger, please don't disassemble and replace the parts by yourself. If the product is damaged, please contact the professional repairman or the appointed maintenance center.

1. Do not leave the product in the rain, water or damp place, keep the product dry;
2. Do Not pour liquids on or near the product
3. Do not place the product near a fire source, such as a candle or other open flame
4. Place the product on a level surface
5. In the case of this product is not used for a long time, in order to extend the battery life, please charge this product once within 30 days.