

Dongguan Xinbaike **Electronic MINI PARTY** **LIGHT BT SPEAKER**

Manualsum, simplified manuals

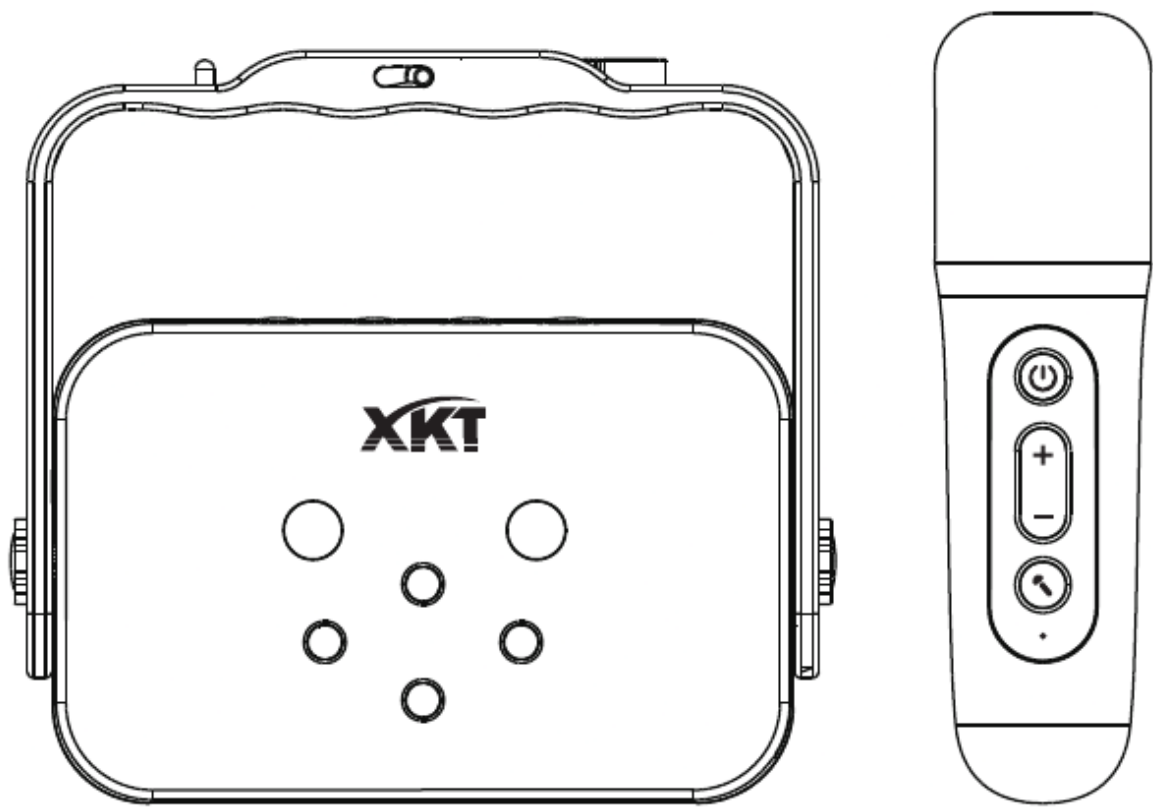
Table of Contents

- [Dongguan Xinbaike Electronic MINI PARTY LIGHT BT SPEAKER](#)
 - [Function introduction:](#)
 - [Operation manual:](#)
 - [Product parameters:](#)
 - [Safety precamtions:](#)
 - [Solemnly declare:](#)

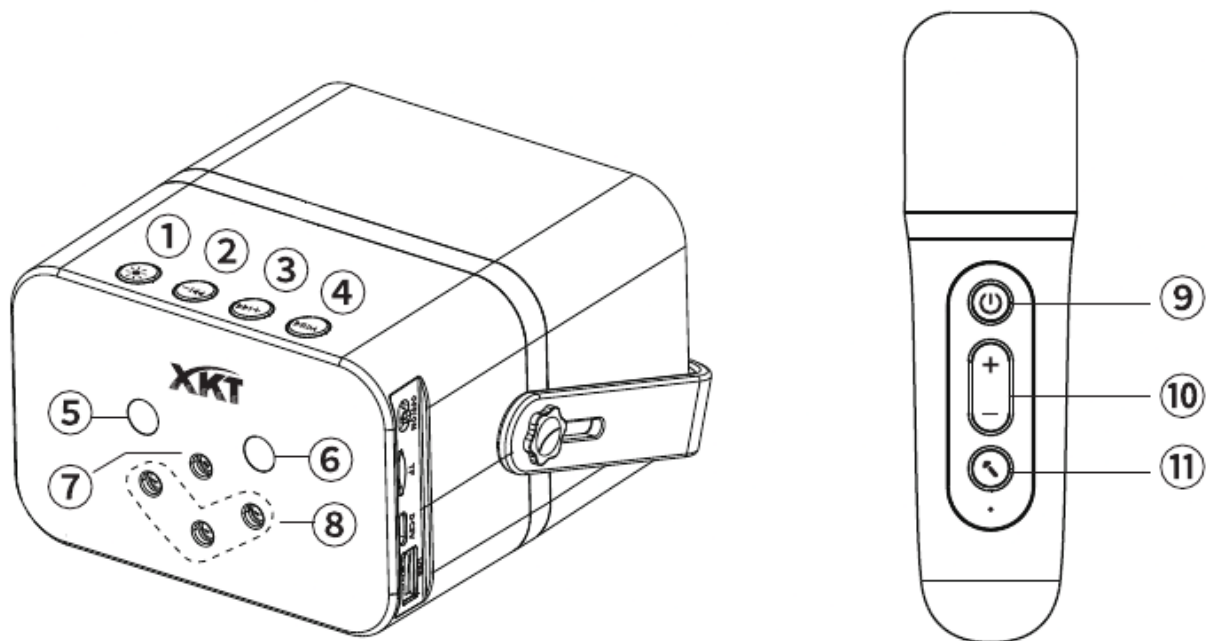
Dongguan Xinbaike Electronic **MINI PARTY LIGHT BT SPEAKER**

Dongguan Xinbaike Electronic MINI PARTY LIGHT BT SPEAKER

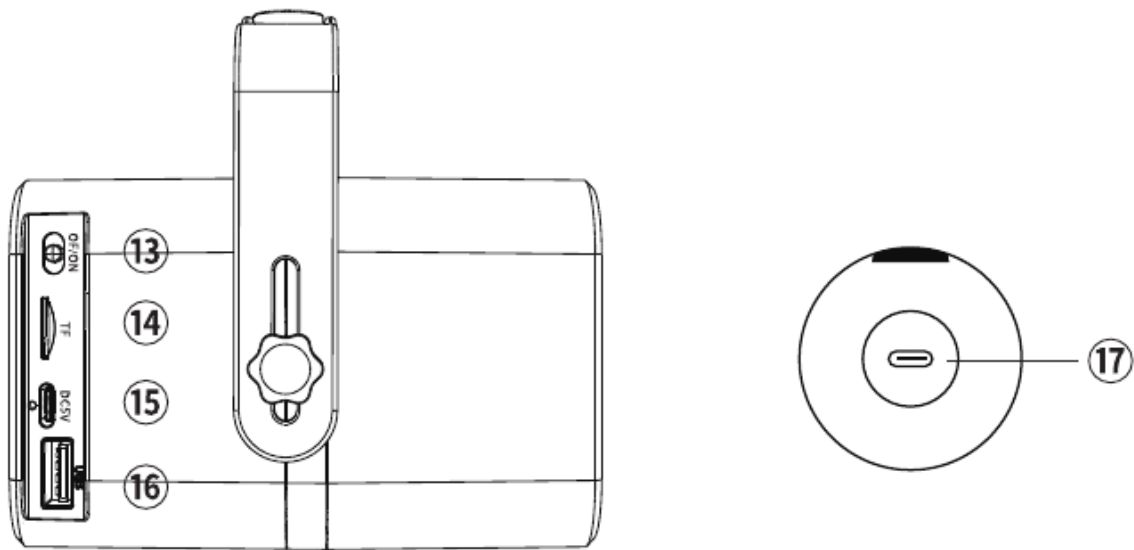
[2BHTU-V1202](#)



Function introduction:



1. Lightkeys
2. Volume -
3. Volume+
4. Play/Pause, Mode keys
5. Red light
6. Greenlight
7. RGB three color light
8. Purple light
9. Microphone power supply
10. Microphone Previous/Next
11. Accompaniment singing



13. OFF/ON
14. TF
15. Type CPort
16. USB Port
17. Type C Port

Operation manual:

1. Turnonthe OFF/ON button, enter Bluetooth mode, and find V12 on your phone Once the model pairing is successful, music can be played
2. Insert TF card/USB drive to play music
3. Light adjustment, press once to turn off the RGB+UV purple light, then press again Turn off the red laser, press again to turn off the green laser, press again Turn on all light sources
4. When playing music, long press to increase volume, short press one song, long press Reduce volume, short press the previous track

5. Short press the play button to enter pause mode, long press the play button to enter Bluetooth mode, FM mode, TF card mode, USB mode
6. Short press the playback button twice in a row to enter the accompaniment mode
7. Long press the microphone power button to automatically pair V12, and you can sing at this time
8. Short press the microphone sound to add (next track), short press the microphone sound to decrease (Previous song)
9. Short press the microphone playback button to enter pause mode.

Product parameters:

Laser source:	532nm green laser/650nm red laser
LED light source:	Three in one RGB+UV purple light beads
Scanning system:	Precision motorhorn
Charging voltage:	5V
Working voltage:	3.7-4.2V
Working current:	550MA
Battery capacity:	5000MA
Input sensitivity:	400MV
signal-to-noise ratio:	≥80dB
Specification:	52MM
BT version:	V 5.2
Audio output power:	8W
BT receiving distance:	≤15M
Operating environment:	10°C-40°C, optimal
Charging time:	Paper 5-6 hours
Working time:	About 3-4 hours
Product gross weight:	900G
Product net weight:	640g
Product colors:	black, blue, pink, green

Safety precamtions:



This product belongs to Class IIIB laser products, and it is important to avoid laser irradiation on the eyes close to the light source, otherwise it may cause discomfort to the eyes.



Do not allow children to operate this product alone.

Please provide safety instructions before others operate.

This product is suitable for indoor use, with a protection level of IP20, suitable for dry environments.

[Manualsum](#)



Please avoid exposure to moisture, corrosion, overheating, or undercooling.

When used in dusty environments with temperatures below 5 °C, the laser may not work.

Solemnly declare:

This product is an atmosphere lighting fixture, not a lighting fixture. It is generally best used at night or in dimly lit places, with the best lighting effect within a distance of 10 meters.

