

# **DURAGO DG3200RTV SMART TOUCHSCREEN TV User Manual**

## **Manualsum, simplified manuals**

### Table of Contents

- [DURAGO DG3200RTV SMART TOUCHSCREEN TV User Manual](#)
  - [Safety Precautions](#)
    - [SAFETY WARNING \(Stability Hazards\)](#)
  - [In the Box](#)
  - [Product Overview](#)
  - [Remote Control](#)
  - [Battery](#)
  - [Assembly Instructions](#)
  - [Angle Adjustment](#)
  - [Powering On Your Device](#)
  - [Connections](#)
    - [HDMI®](#)
    - [USB Type-C®](#)
    - [USB Type-A®](#)
  - [Screen Mirroring](#)
    - [Screen Mirroring on iOS Devices](#)
    - [Screen Mirroring on Android™ Devices](#)
    - [Screen Mirroring on Laptops](#)
  - [Troubleshooting](#)
  - [Specifications](#)
  - [Need Help?](#)
  - [Warranty Information](#)

# **DURAGO DG3200RTV SMART TOUCHSCREEN TV User Manual**

DURAGO DG3200RTV SMART TOUCHSCREEN TV User Manual

DURAGO DG3200RTV 32" ROLLABLE SMART TOUCHSCREEN TV User Manual

DG3200RTV 32" ROLLABLE SMART TOUCHSCREEN TV User Manual [Manualsum](#)

DURAGO 32" Rollable Smart Touchscreen TV User Manual

DP AUDIO VIDEO 2AVRV-DG3200 32inch Rollable Smart Touchscreen TV User  
Manual

[2AVRV-DG3200](#)

[Manualsum](#)





## Safety Precautions

THIS INSTRUCTION BOOKLET CONTAINS IMPORTANT SAFETY INFORMATION. PLEASE READ IT CAREFULLY AND KEEP FOR FUTURE REFERENCE.

- To avoid potential fire hazards, refrain from storing the Product in the locations listed below. Doing so could result in fire hazards, electric shock, combustion/explosion, malfunction, or damage to the Product:
  - Prolonged exposure to direct sunlight.
  - High-humidity environments, such as bathrooms.
  - Proximity to heat sources, such as stoves or other heaters.
  - Contact with steam or oily fumes, such as kitchens or humidifiers.
  - Exposure to rainwater or moisture.
  - Placement near inflammable substances, such as gasoline or candles.
  - Areas prone to dust accumulation.
  - Unstable or high places, such as shelves or desks.
- Place the Product in a well-ventilated space to prevent overheating. Avoid placing it in a narrow space that can restrict the flow of air.
- Never cover the Product with materials such as clothes or blankets. This can restrict airflow and cause the device to overheat, posing a risk of fire.
- After prolonged use, the Product's ventilation port may become hot. Avoid touching the ventilation port to prevent burns or other injuries.
- To avoid product damage and potential electric leakage, protect the power cables from twisting, bending, and cutting. If the power cables are damaged, do not use the device and seek professional assistance.
- When connecting the power cable, make sure the power interface is securely and correctly connected to the device. A loose or poor connection can not only damage the product, but also pose a risk of electric shock. Do not move the Product while connecting the power cable to avoid any accidents.
- Do not remove the Product's power cable by force.

- Be sure to handle with caution when connecting to/removing the power cable from the power source.
- To avoid fire hazards or electric shock, do not connect too many devices on one singular power supply source.
- Follow all installation instructions to avoid damage or injury due to improper assembly.
- Position the Product in a secure area to prevent damage or personal injury.
- Please connect the Product's adapter to a three-pole grounded AC socket. Make sure to connect the grounding wire to avoid electric shock.
- In case of lightning, do not touch the Product. Electric shock may occur.
- Do not drop metals into the Product. If foreign matters fall into the Product, please remove the power cable and contact Customer Service.
- In any of the following cases, please cut off the Product's power supply and contact Customer Service.

— The Product is damaged.

— Water or other foreign matter enters the Product.

— The Product has smoke or other odor.

- Do not use high-voltage electronic equipment around the Product; otherwise, it may lead to faults such as signal interference.
- Make sure to use authorized parts and components; otherwise fire hazard, electric shock or malfunction may occur.
- Do not try to modify the Product; otherwise, fire hazard or electric shock may occur. Please contact Customer Service or authorized repair personnel to receive service or maintenance.
- Do not dismantle the AC adapter or power cable; otherwise, fire hazard or electric shock may occur.
- Do not drop or hit the Product.
- To reduce fire hazards or electric shock, do not touch the Product with wet hands.
- Wipe off water or dust (if any) on the power plug.
- Do not apply unreasonable pressure or use sharp objects to press the Product's screen; otherwise, product damage and personal injury may occur.
- While cleaning the Product, please remove the power cable and wipe it gently with a dry cotton cloth.
- Do not spray water or other liquids directly onto the Product.
- Do not clean your product with harmful chemicals, such as glass cleaner, air freshener, insecticide, lubricant, automotive or industrial wax, polishing agent, diluent, benzene or alcohol; otherwise, electric shock or product damage may occur.
- For any battery liquid leakage in the base, stop use immediately to avoid skin and eye contact. Any accidental contact may lead to blindness or burns. Flush the contacted area with water immediately and contact a medical professional for further assistance.
- The battery may fail to recharge completely or have a reduced life if it is discharged completely or idled for a long period of time.

- Any unauthorized disassembly/assembly of product parts without consulting the manufacturer may lead to product failure, and you will not be entitled to maintenance services.
- Do not push or kick the Product.
- Do not suspend or put heavy objects on the Product.
- Do not move or slide the Product while sitting on its base.
- Do not exceed the Product's limit angle by force.

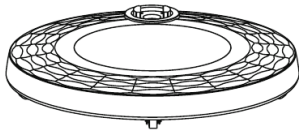
## **SAFETY WARNING (Stability Hazards)**

Serious personal injury may occur due to display instability. The following preventive work is recommended to avoid injury:

- Be sure to use the suggested stand and mounting methods.
- Be sure to put the Product on level ground.
- Warn children about the hazards of climbing on or touching the display or stand.
- Make sure to arrange the Product's power wires and cables neatly to avoid tripping or dragging.
- Do not put the Product at a high or tilted place.
- Do not place articles such as toys, on the Product or stand, as this may induce children to climb onto the Product.

# In the Box

**A**



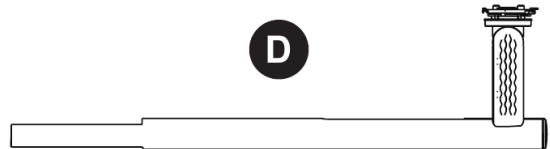
**B**



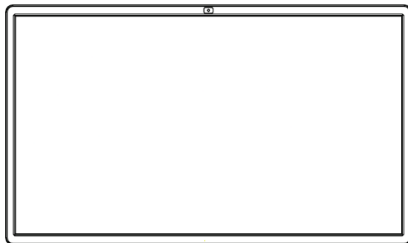
**C**



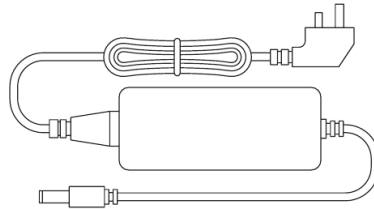
**D**



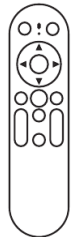
**E**



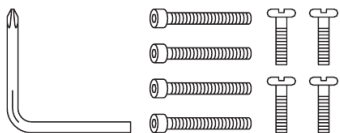
**F**



**G**



**H**



**I**



**J**

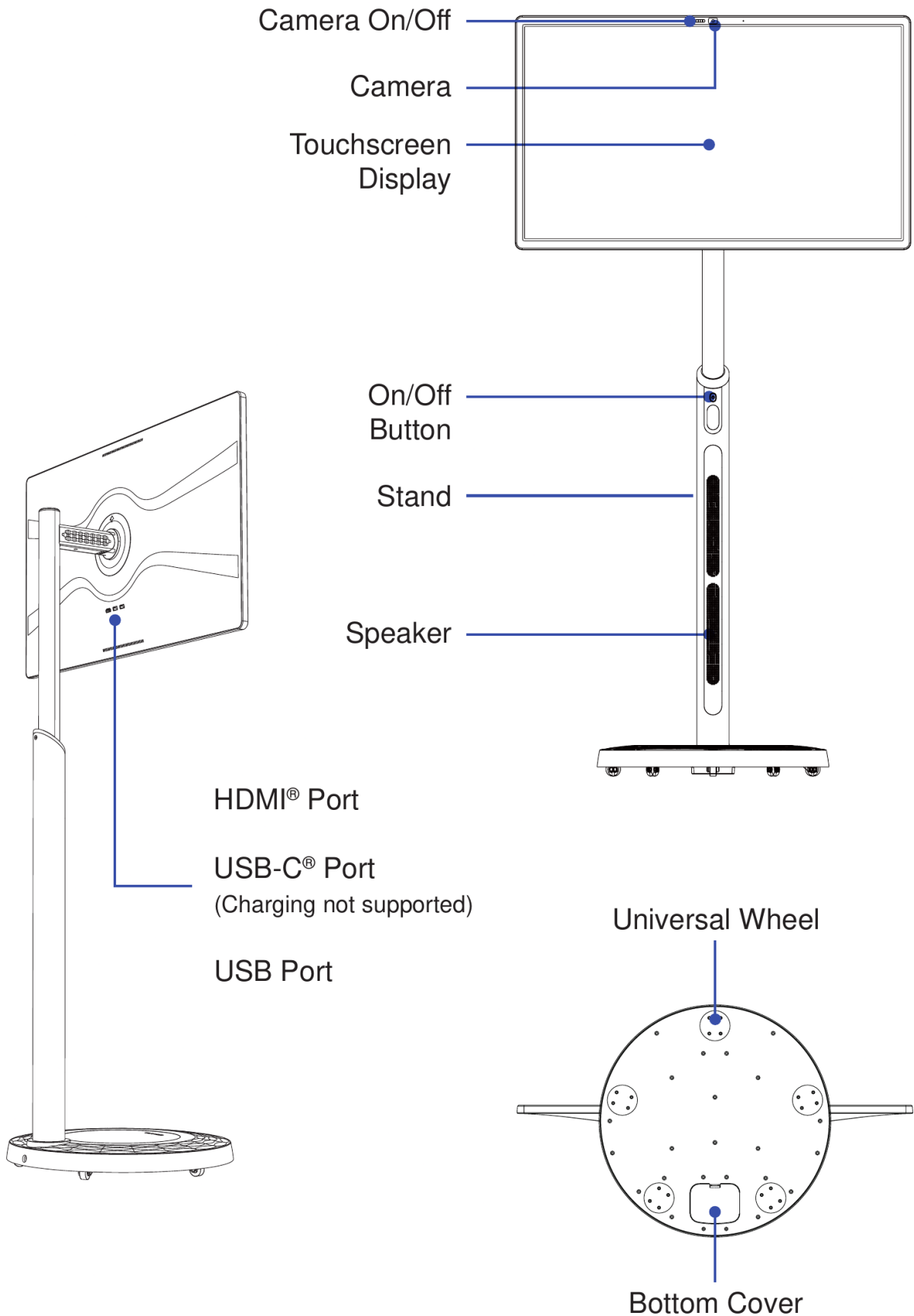


**K**



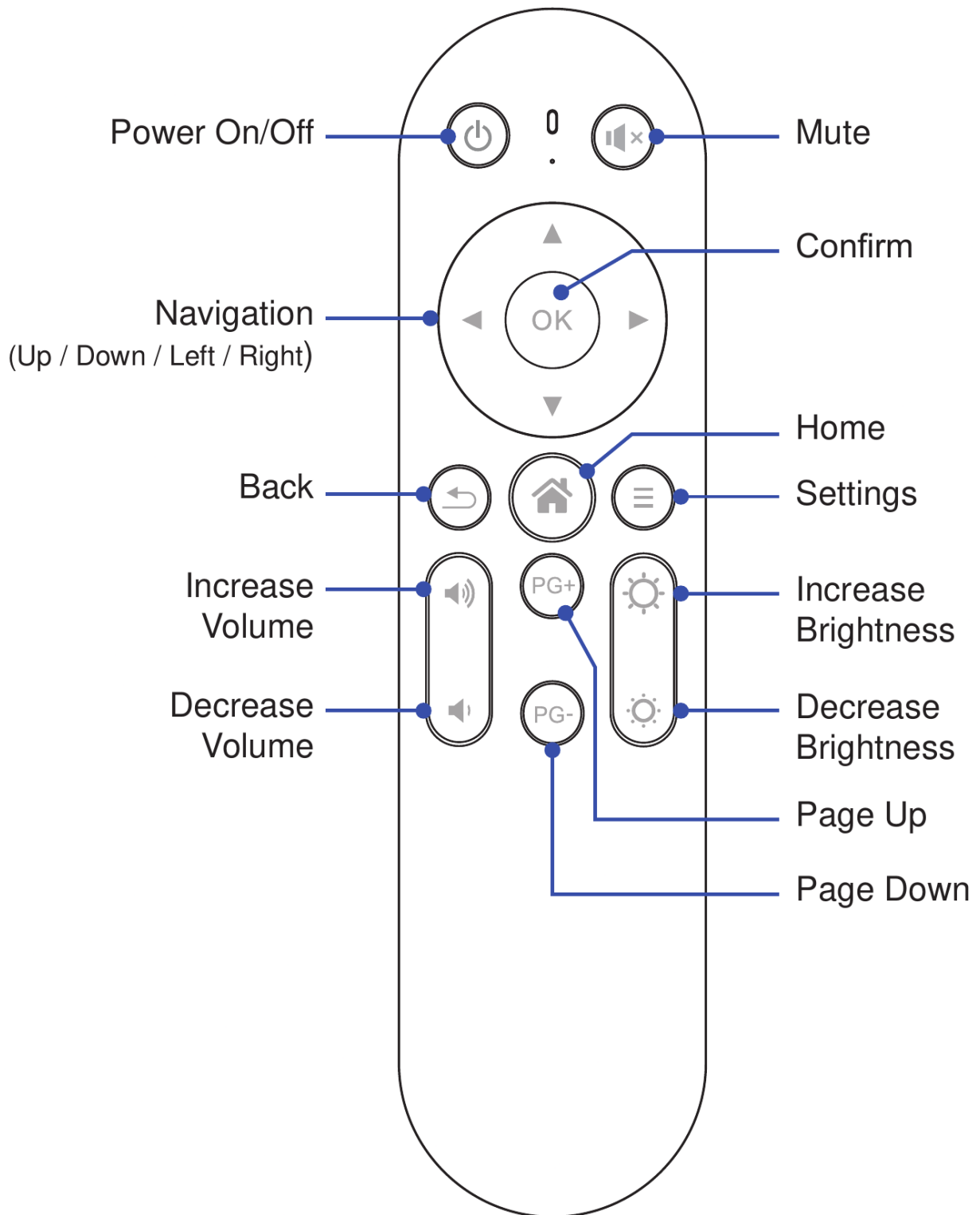
- **A.** Base
- **B.** Stand (Lower)
- **C.** Speaker Cover
- **D.** Stand (Upper)
- **E.** Monitor
- **F.** Power Adapter
- **G.** Remote Control
- **H.** Hex Wrench and Hex Screws
- **I.** User Manual
- **J.** Warranty Card
- **K.** Pry Tool

# Product Overview





# Remote Control



**Note:** Remote Control requires two (2) AAA batteries (included).

# Battery

The product's movable base is fitted with a built-in battery to ensure operation for periods of time without a connection to a power supply.

## NOTE:

- The power supply indicator serves the singular function of indicating the status of the external power supply. A luminous green indicator denotes the successful connection of the external power supply, while a lack of illumination signifies its disconnection.
- The built-in battery can be fully recharged within approx. 7 hours.
- The product's battery's life will decrease with time and usage.
- The product's battery may encounter charging failures when temperatures are below 32°F.
- To optimize battery longevity, it is recommended to use the battery for some time before recharging, rather than constantly keeping the battery full.
- Keep the battery's power level at 50% to prolong its service life.
- **Note:** The actual use period may vary along with use conditions, habits and different factors, such as connected devices, ambient temperature and product settings.

## WARNING:

Using the wrong battery can be dangerous and may cause an explosion.

Be sure to handle the battery with caution. Users should not attempt to dismantle and replace the battery on their own.

- The battery shall not be disassembled, dropped or thrown into fire.
- If there is severe swelling, do not continue to use it.
- Do not place it in a high temperature environment.
- Do not use the battery if immersed in water.

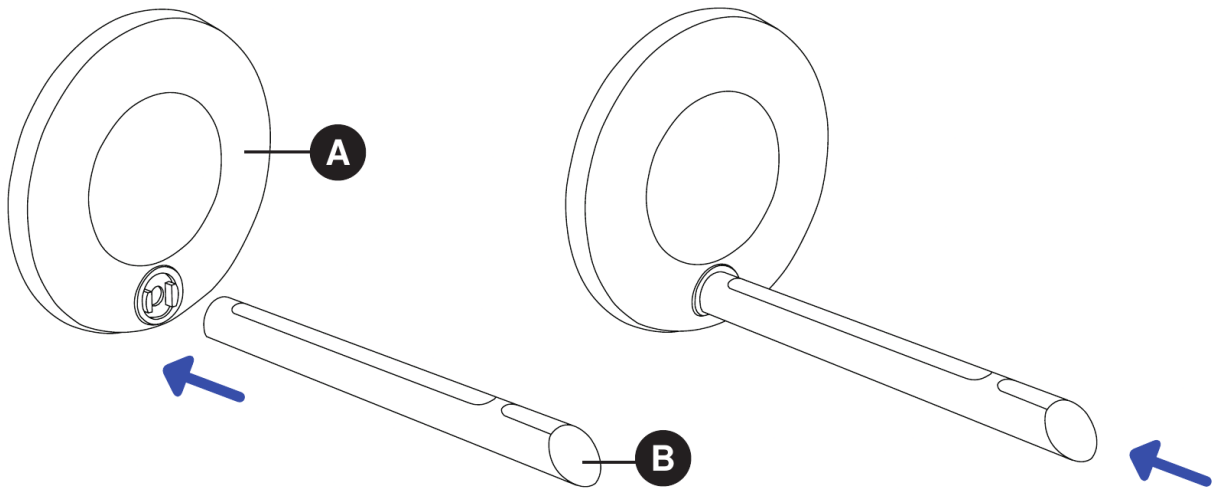
DURAGO DG3200RTV SMART TOUCHSCREEN TV User Manual

## Assembly Instructions



**1.** Remove the Base and Lower Stand from the case, align the hole at the front of the Base with the lower stand, then insert the metal lifting rod into the hole. Make sure to fasten the connection.

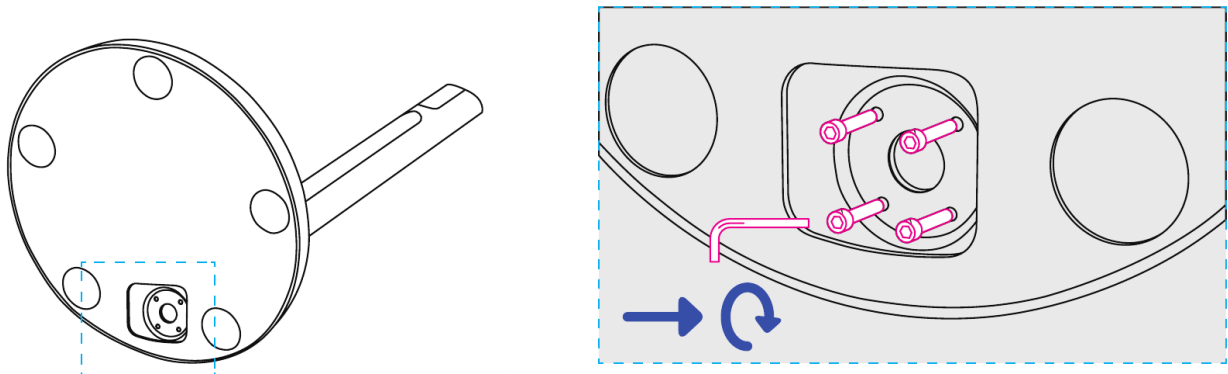




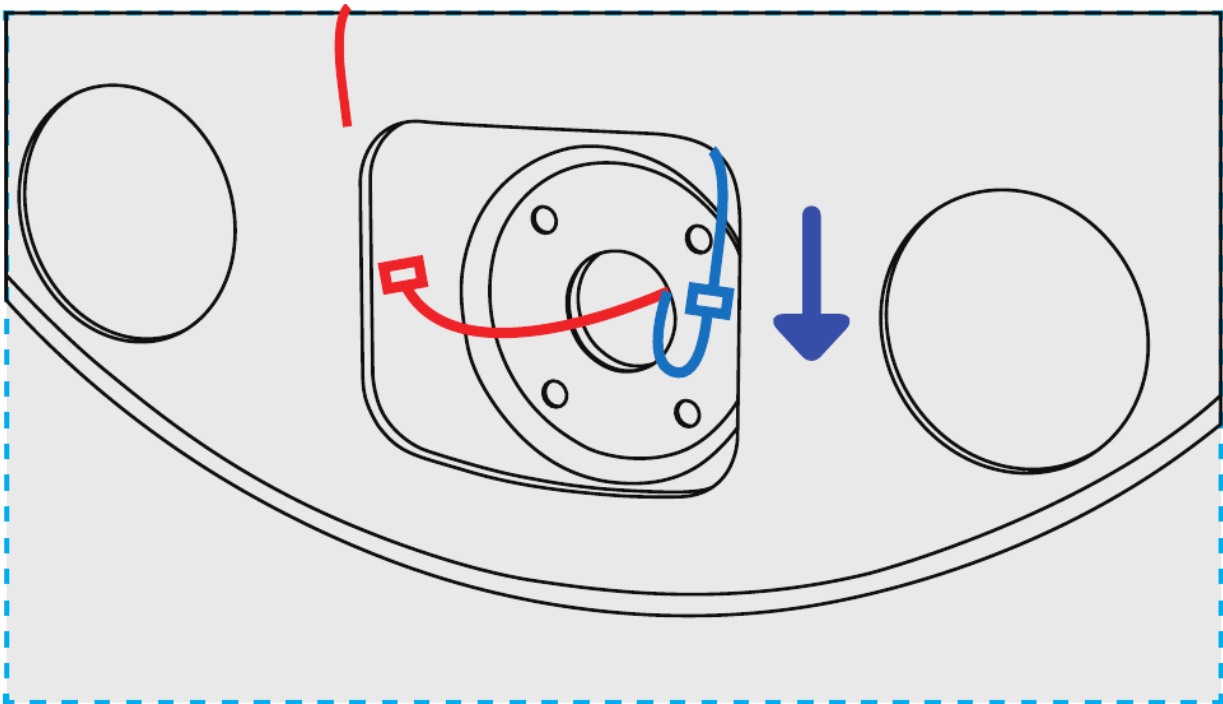
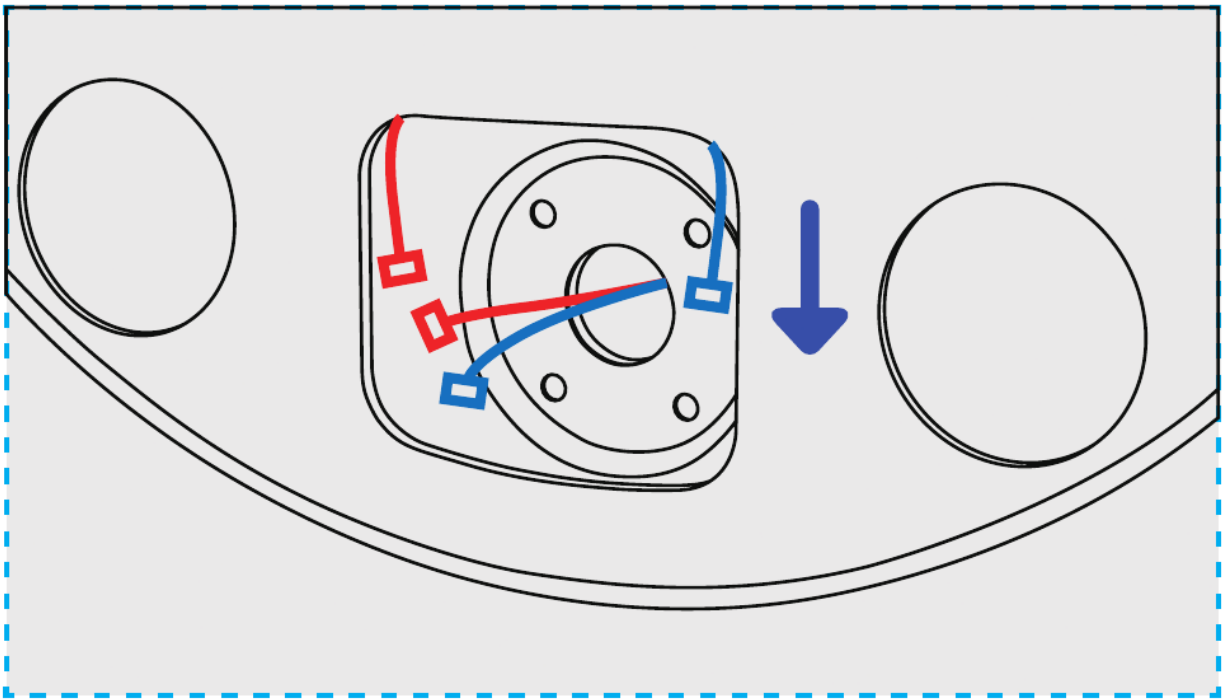
**Note:** Please fasten the metal lifting rod here, in order to fasten the set screws in the following steps.

**H**

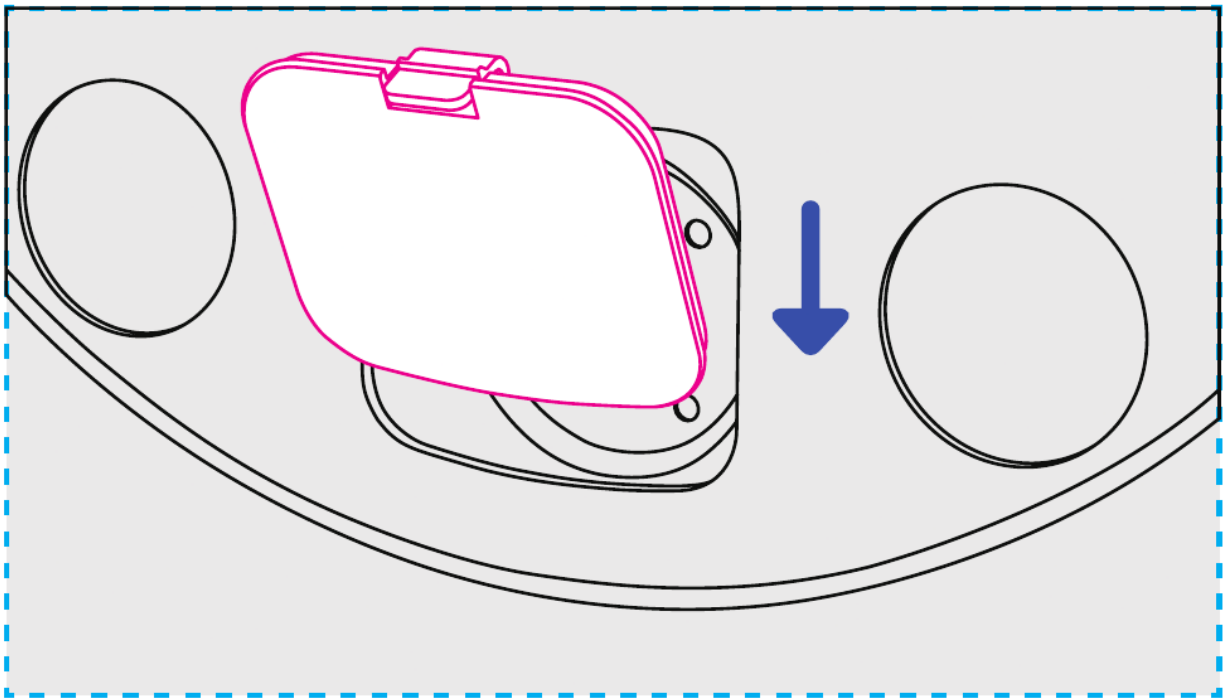
**2.** Using the hex wrench and four hexagon screws rotate the four screws clockwise at the bottom of mobile power base to fasten them.



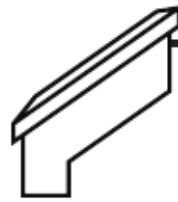
**3.** You will now see two pairs of wires that need to be connected. Connect the matching wire clips together (i.e. connect red to red and blue to blue). Ensure each connected pair is fully snapped together and securely attached.



**4.** Install the bottom cover as indicated below.



**5.** Remove the back screw from the lower stand by rotating it counter-clockwise, then remove the top cover of the lower stand as shown below.



top cover



6. Connect the longer red wire clip inside the upper stand



to the

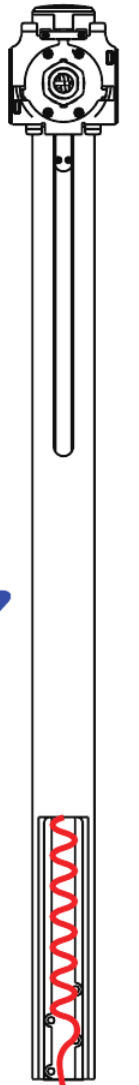
red wire clip behind the power button on the lower stand



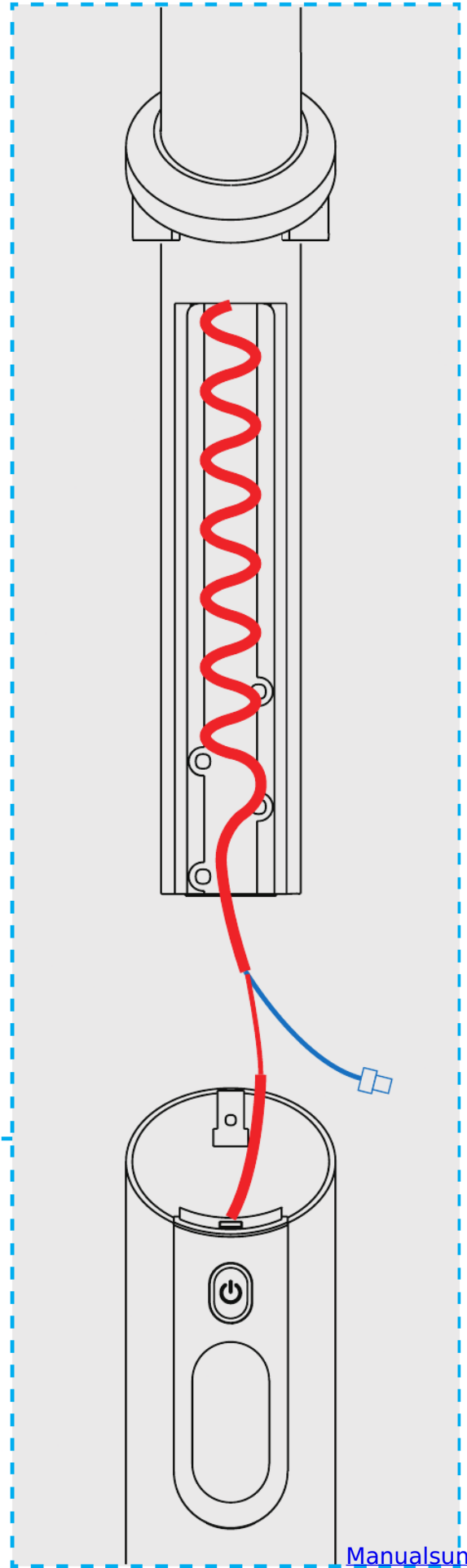
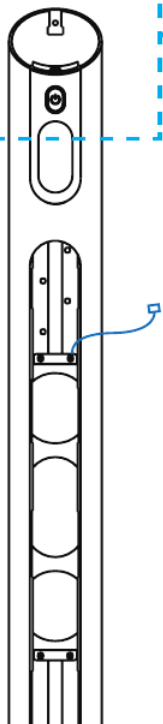
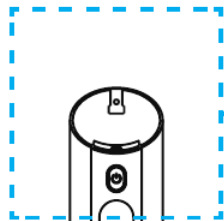
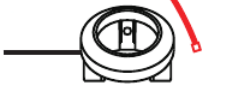
. Ensure the connected pair is fully snapped together and securely attached.

ed  
er  
e clip  
n

pair is  
and



top cover



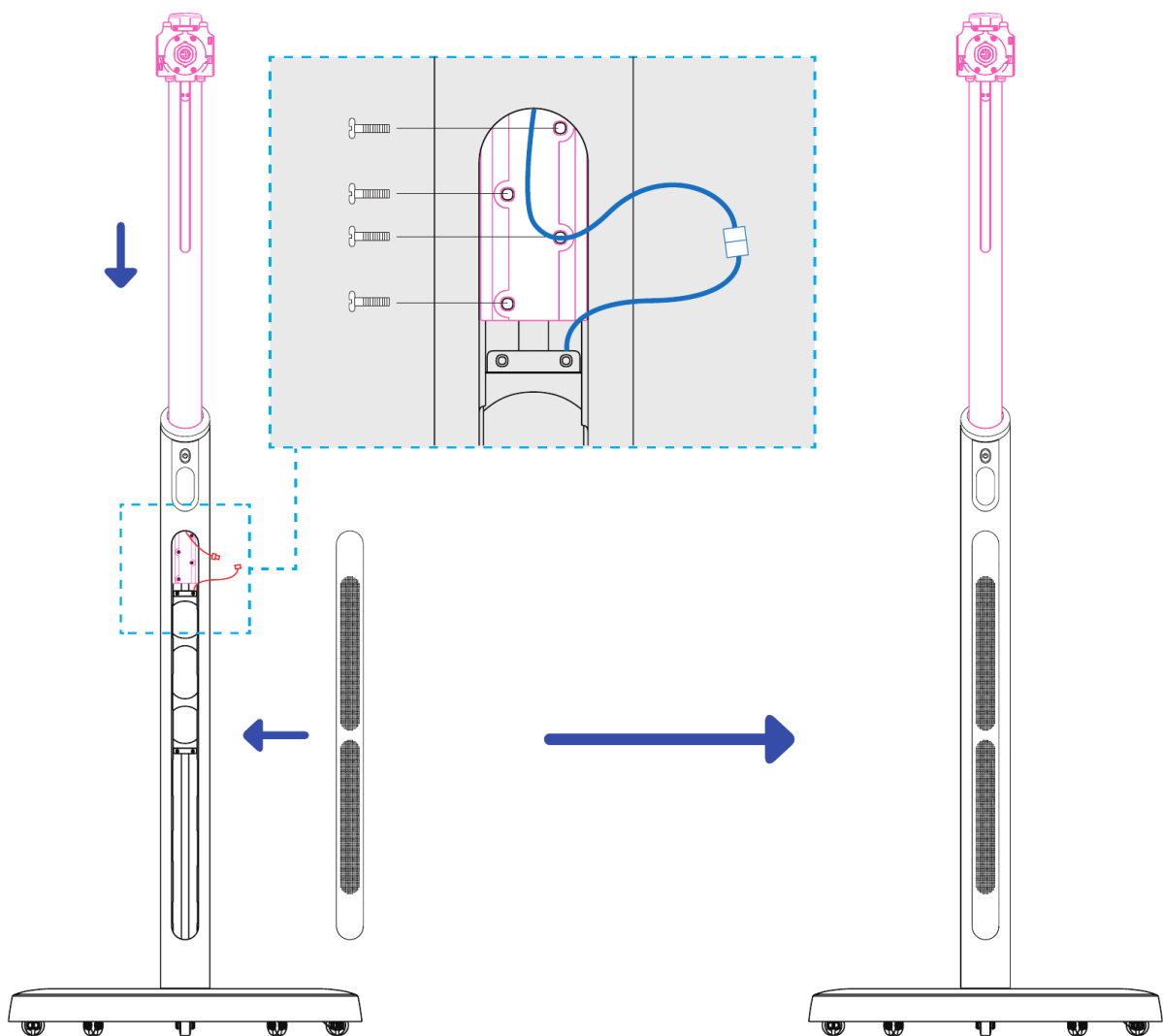


7. Organize the wires to avoid them getting crushed, and then slowly insert

the upper stand **D** into the lower stand **B** as shown below, making sure that the top cover is between both stands.

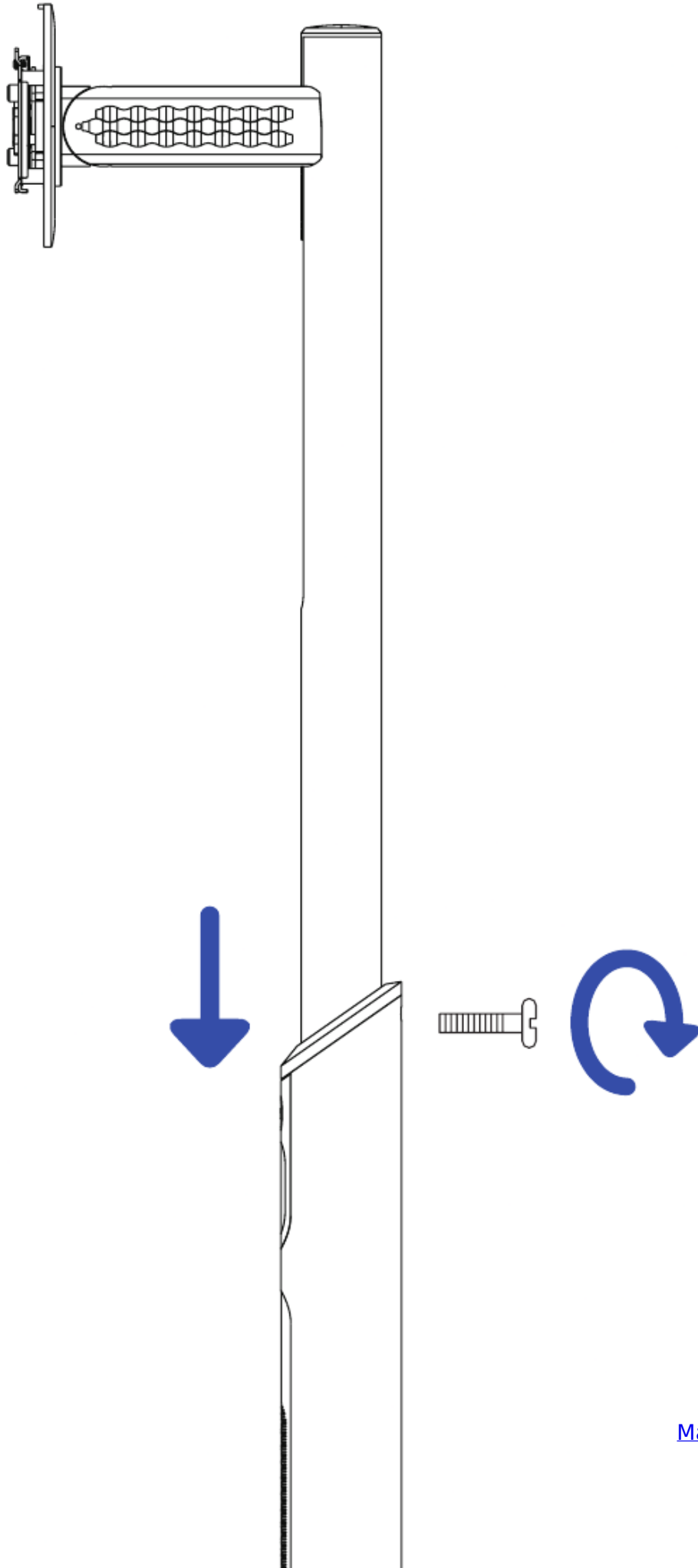
Secure the four Phillips screws in a clockwise motion at the location shown below.

You will now see one set of blue wires left. Connect the wire clips and ensure they are fully snapped together and securely attached.

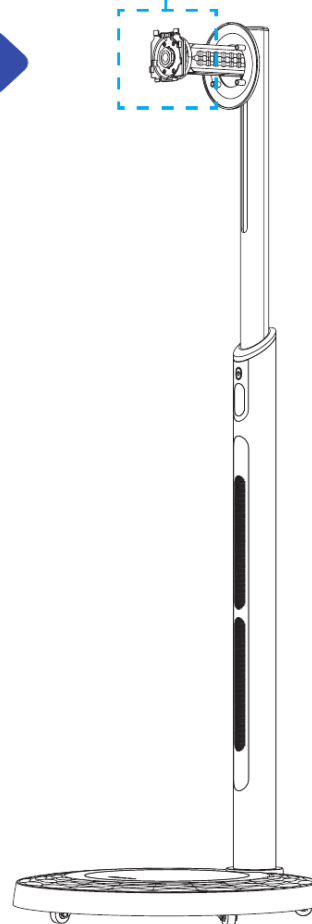
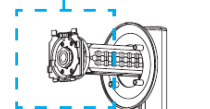
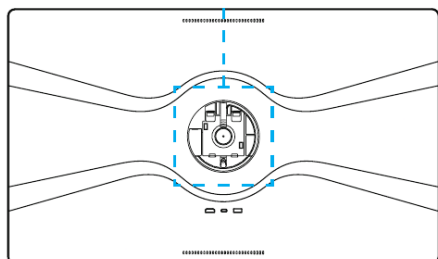
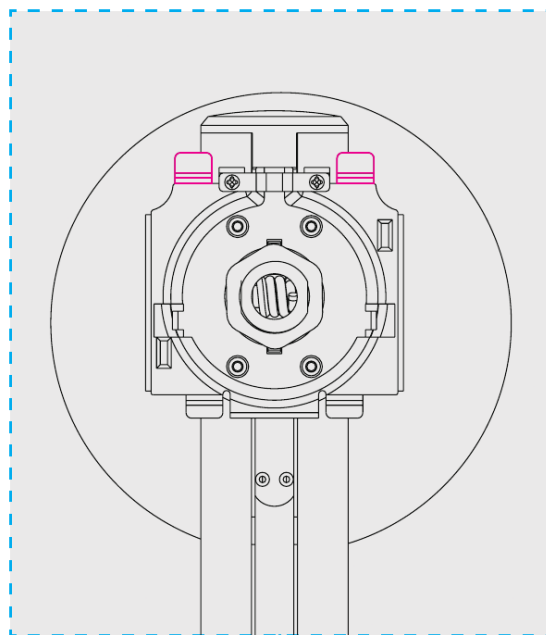
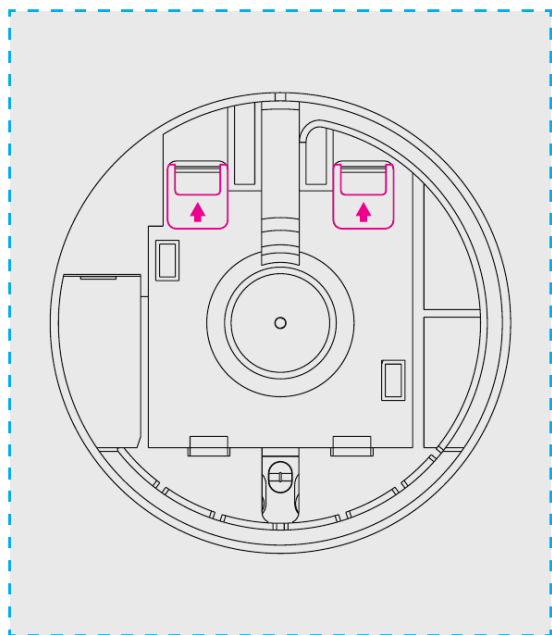


**Note:** Use the included pry tool **K** to remove the speaker grill if needed.

**8.** Put the top cover of lower stand back in place, find the screw that was removed from the previous step and replace it onto the back of the lower stand. Rotate the screw clockwise and firmly tighten it into place.

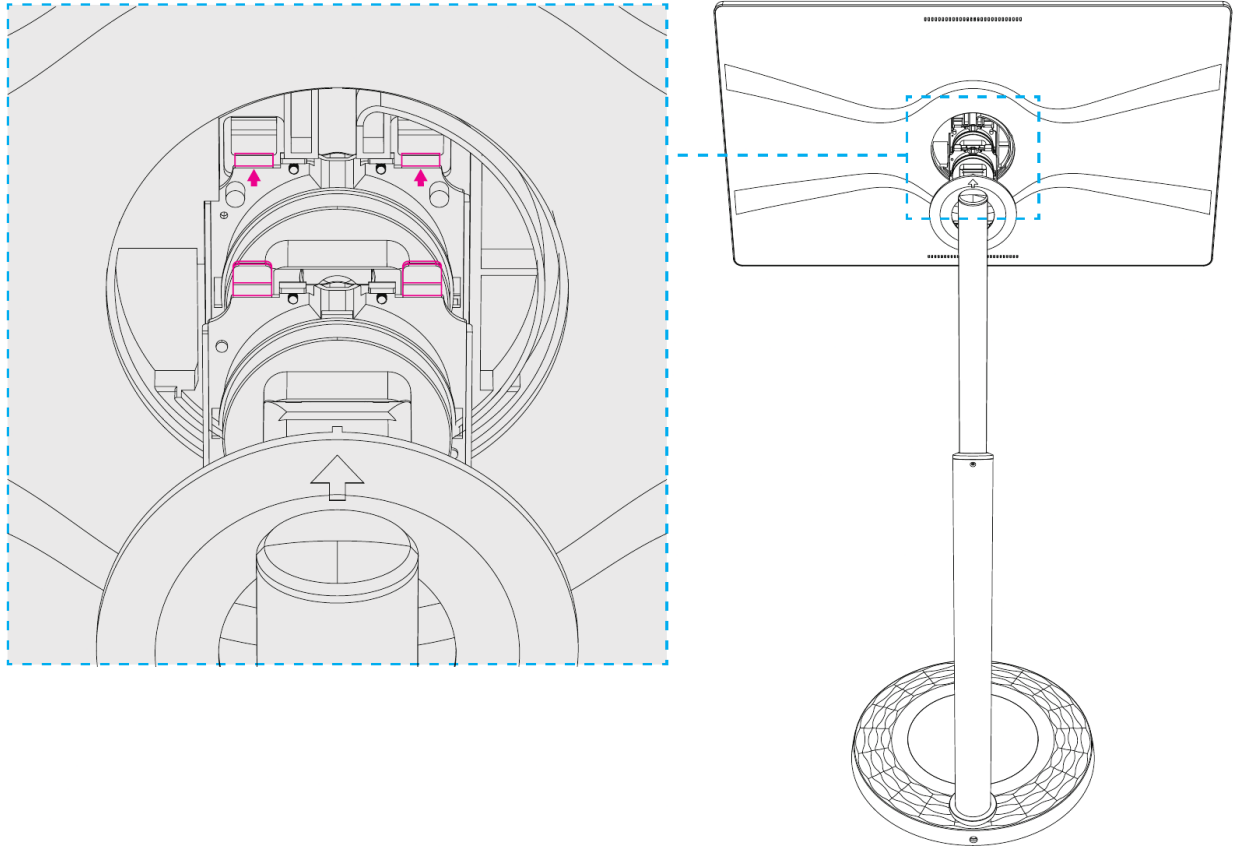


**9.** Keep the installed stand in an upright position on a level surface. Locate the positioning column as shown below. Remove the display monitor from the box, and locate the mounting holes on the back of the monitor.



**10.** Using both hands, hold the monitor with the touchscreen display facing you. Align the mounting holes with the positioning column, taking extra care to ensure they are properly lined up.

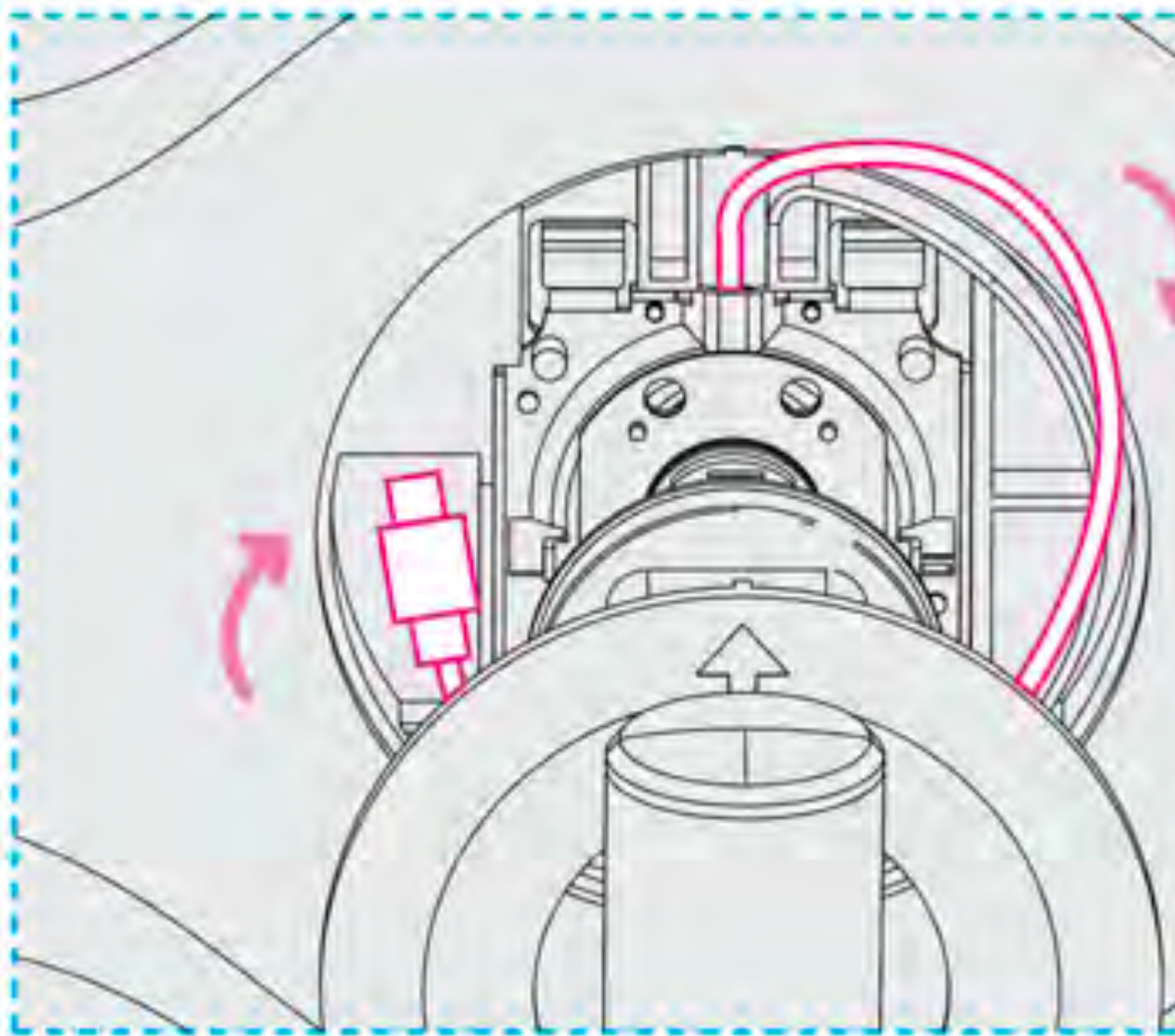
Release slowly. You should hear a “click”, indicating that the display is locked in place.



**Note:**

- The camera should be at the top of the display. Do not flip.
- Please remove the decorative cover foam and display connection wire during this step.

**11.** Insert the stand’s power cable clockwise into the power interface at the back of the monitor.

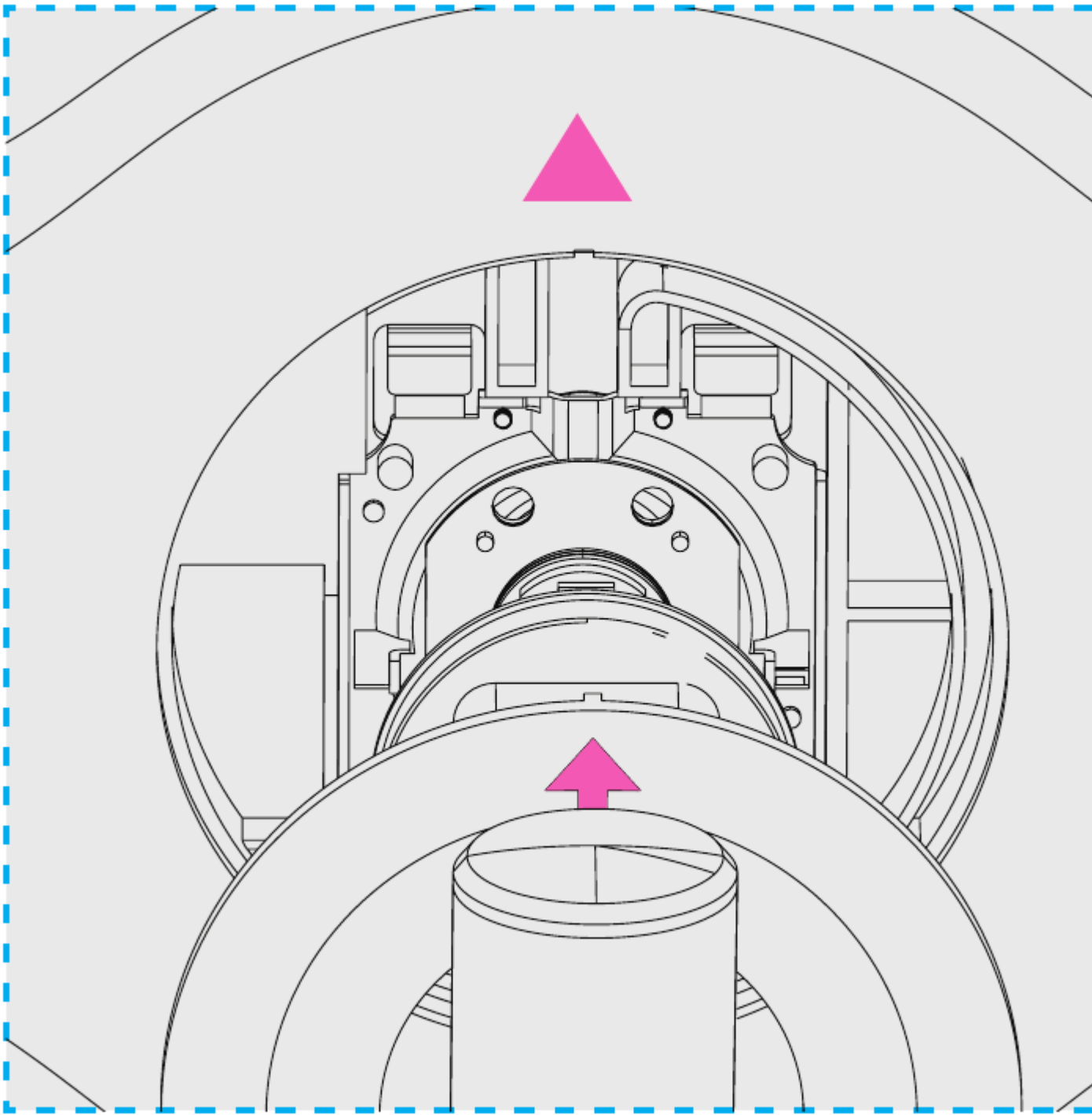


Cross the cable over the top and insert it into the power interface at the back of the d

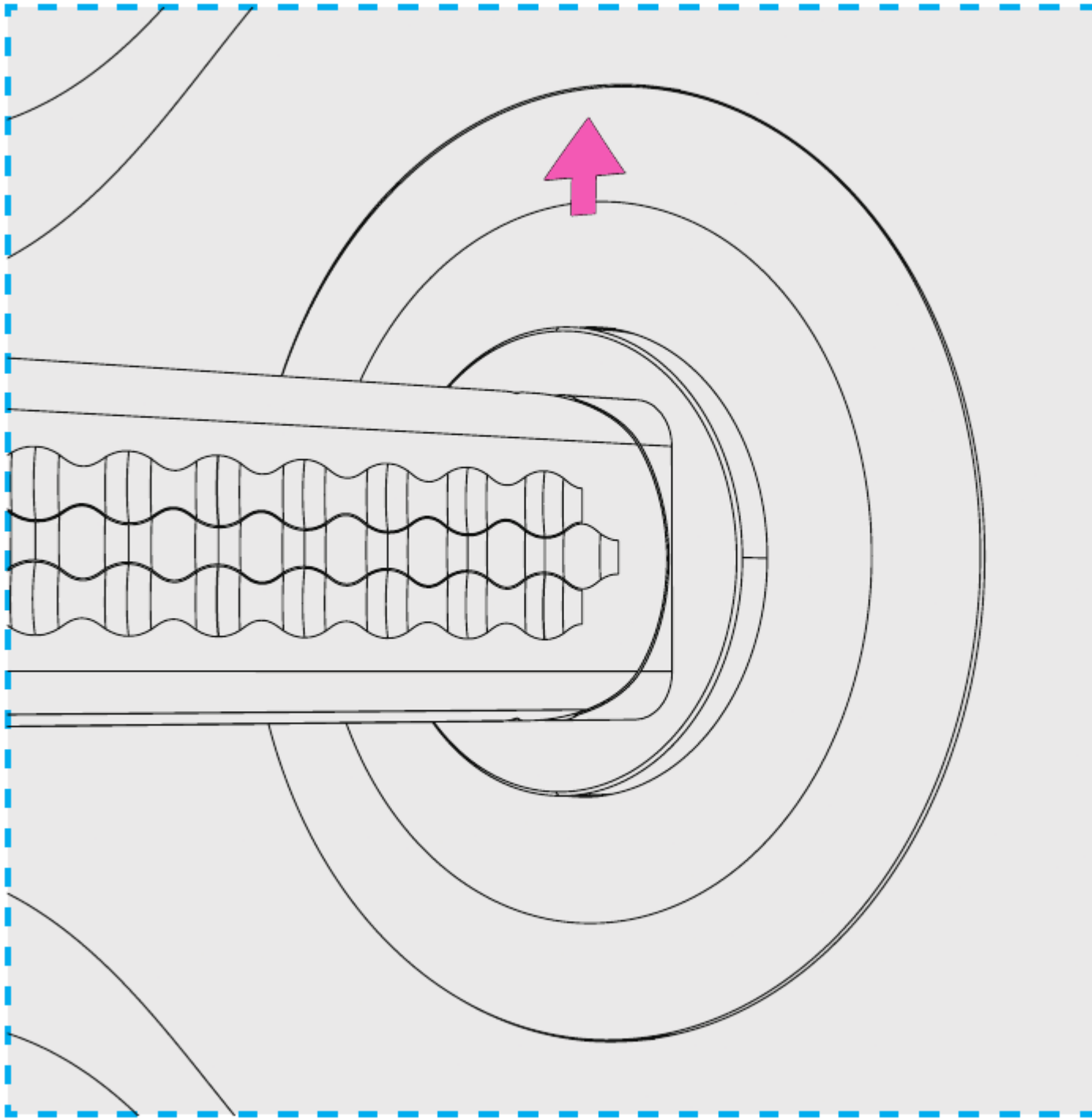
**Note:**

- Connect the cable correctly and firmly here, to avoid product damage and personal injury due to poor power supply contact.
- Once the cable is connected, press the “ON/OFF” button on the lifting rod to power on the Product.
- If startup fails, please check that the cable is properly connected, or try to reconnect the power adapter on the base.

**12.** Install the circular decorative cover following the steps below:



Find the triangle indication mark at the back of monitor.



Align the two marks, and then fasten the circular decorative cover downwards.

DURAGO DG3200RTV SMART TOUCHSCREEN TV User Manual

## **Angle Adjustment**

You may adjust the angle and height of the display for the optimal viewing experience in any scenario.

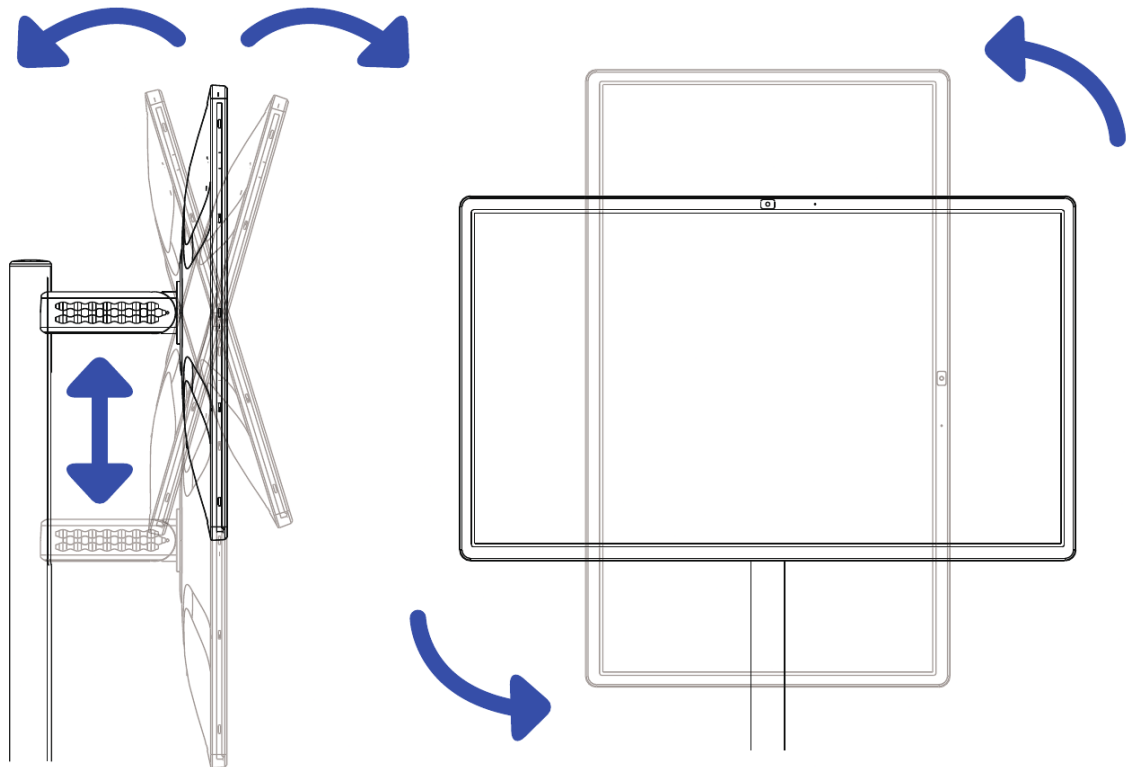
- Supports 180° rotation (left rotation: 90°; right rotation: 90°).

[Manualsum](#)



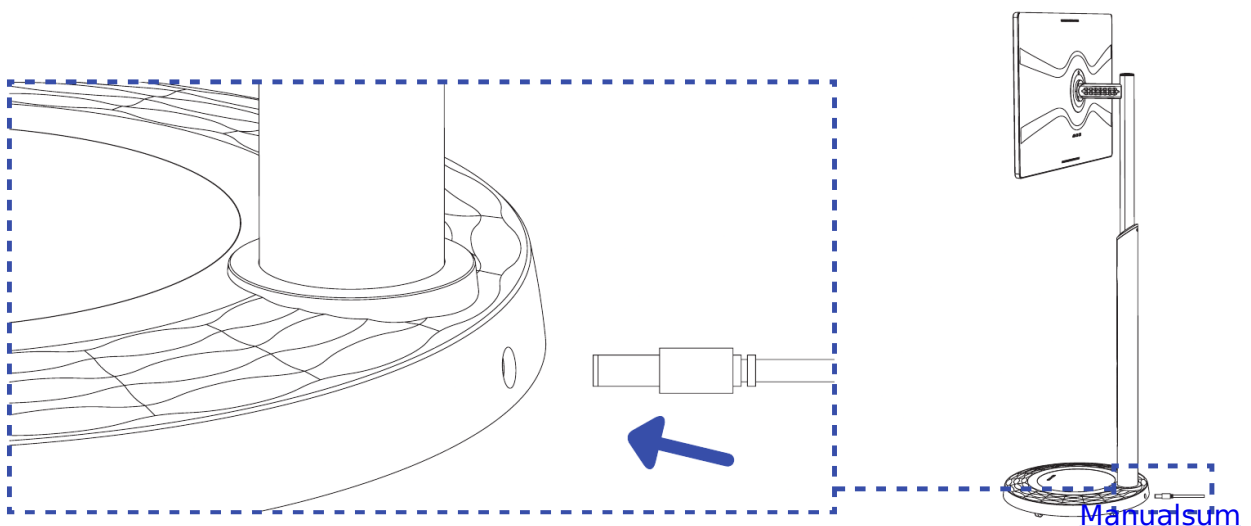
- Supports tilt adjustment of 45° (+25°/-20°) and height adjustment up to 7 inches.

**NOTE:** The actual angle may vary slightly due to the external factors.



## Powering On Your Device

1. Insert the power adapter into the port, and once connected, refrain from unplugging it. Upon powering on the device, the indicator light on the product's stand will flicker, meaning that the base is turning on.
2. During initial use, it is important to correctly connect the power adapter to facilitate optimal operation.
3. To power on the product, press and hold the ON/OFF button on the stand for 3 seconds.

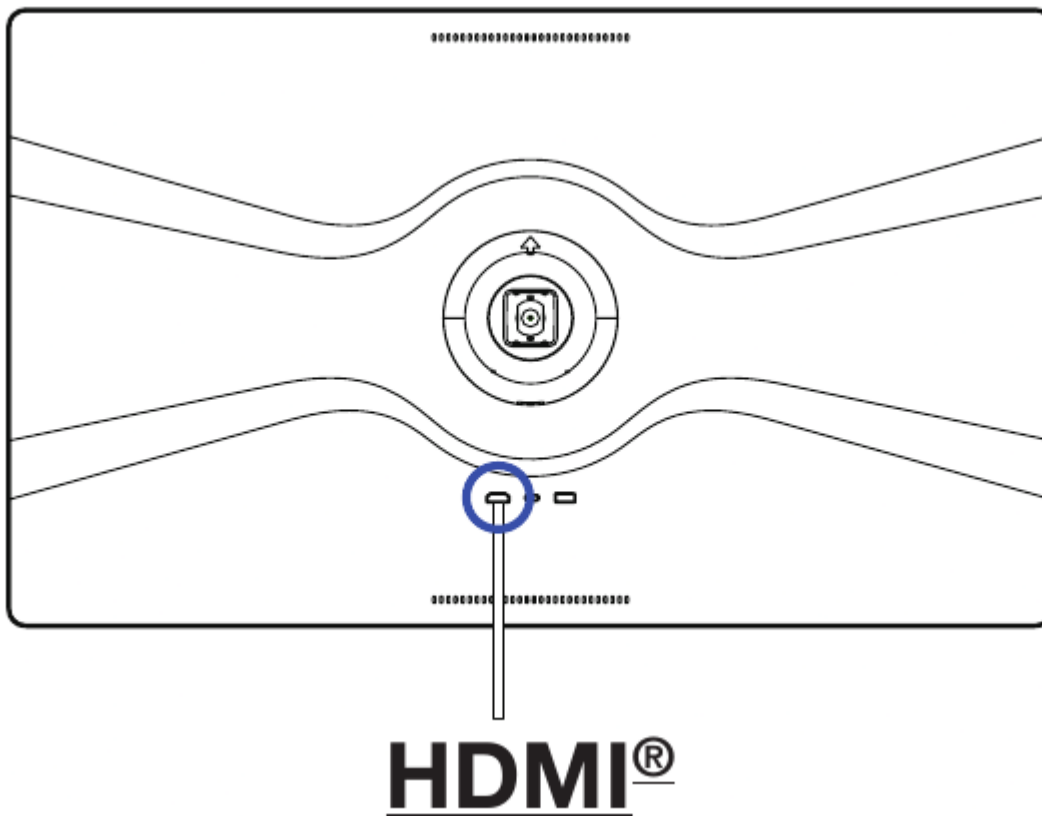


## NOTE:

- To avoid product damage and personal injury, keep the device in a vertical position at all times, refraining from laying it flat.
- Keep hands clear of the base.
- When moving the product, hold the middle section of the stand securely. This prevents product damage and reduces the risk of personal injury due to tilting.
- If foreign matter gets stuck on the stand or base, gently remove them using a clean, damp paper towel or cloth.

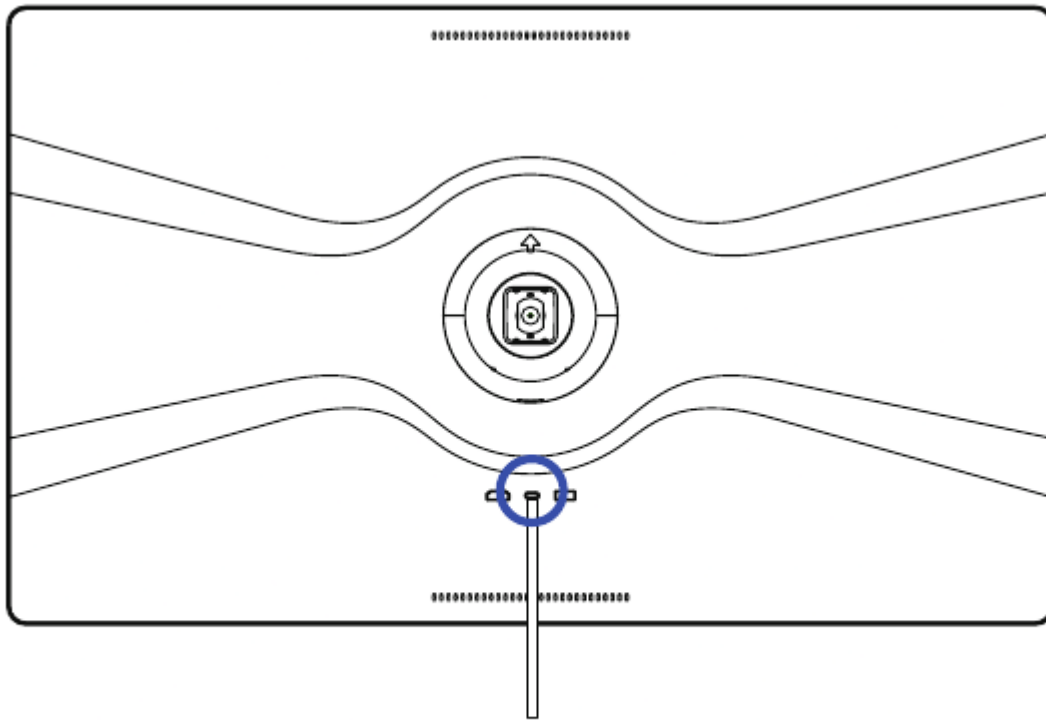
## Connections

This TV can be connected to other devices through HDMI®, USB-C?®, and USB-A cables.



### HDMI®

You may connect a laptop to the display via HDMI® cable to use the display as an external monitor. The device does not support connection of other products of the same interface.

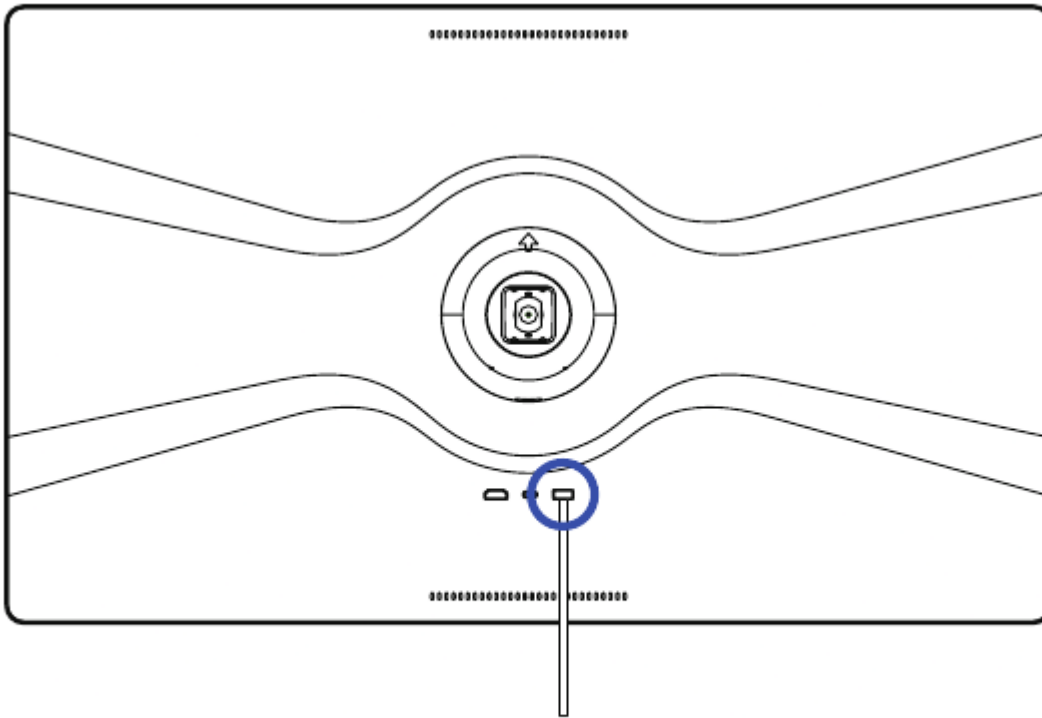


## USB Type-C®

### **USB Type-C®**

Connects to: external hard drive or flash drive, card reader, keyboard, mouse.

---



## USB Type-A®

### **USB Type-A®**

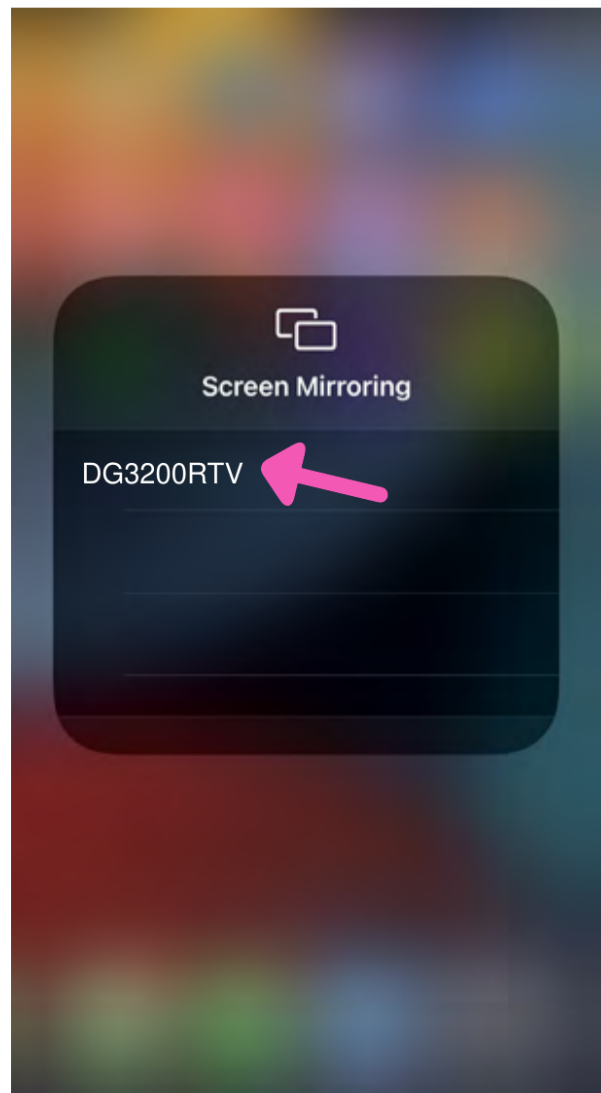
Connects to: external hard drive or flash drive, card reader, keyboard, mouse.

**NOTE:** When the device is connected to a PC or laptop, some images may have display errors, depending on the graphics card.

## **Screen Mirroring**

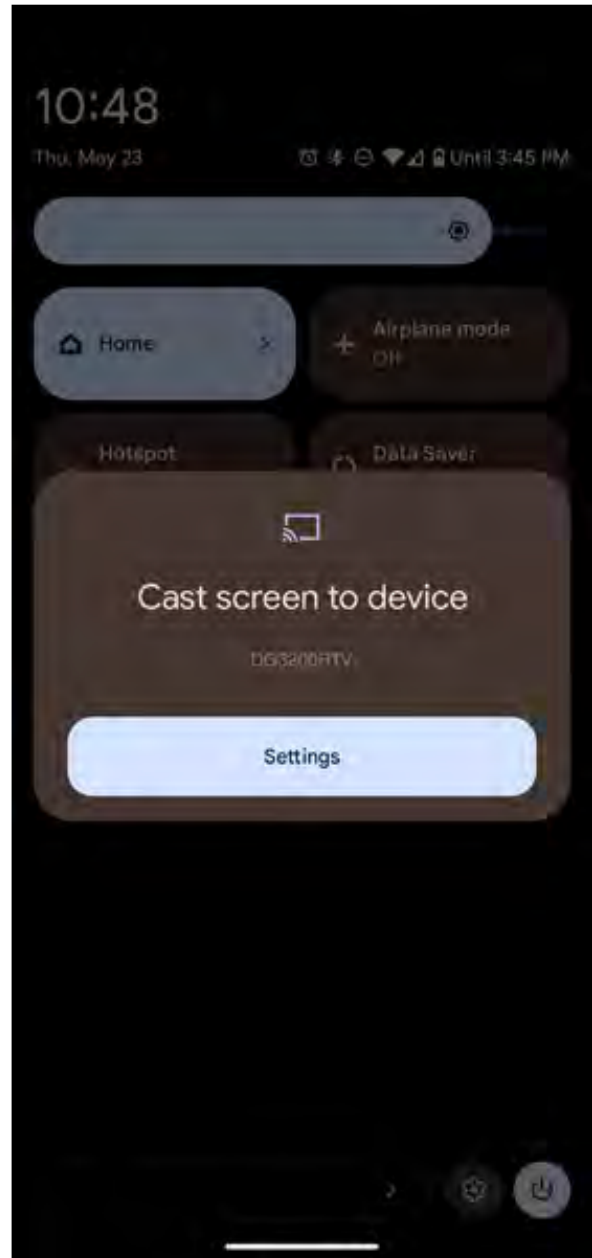
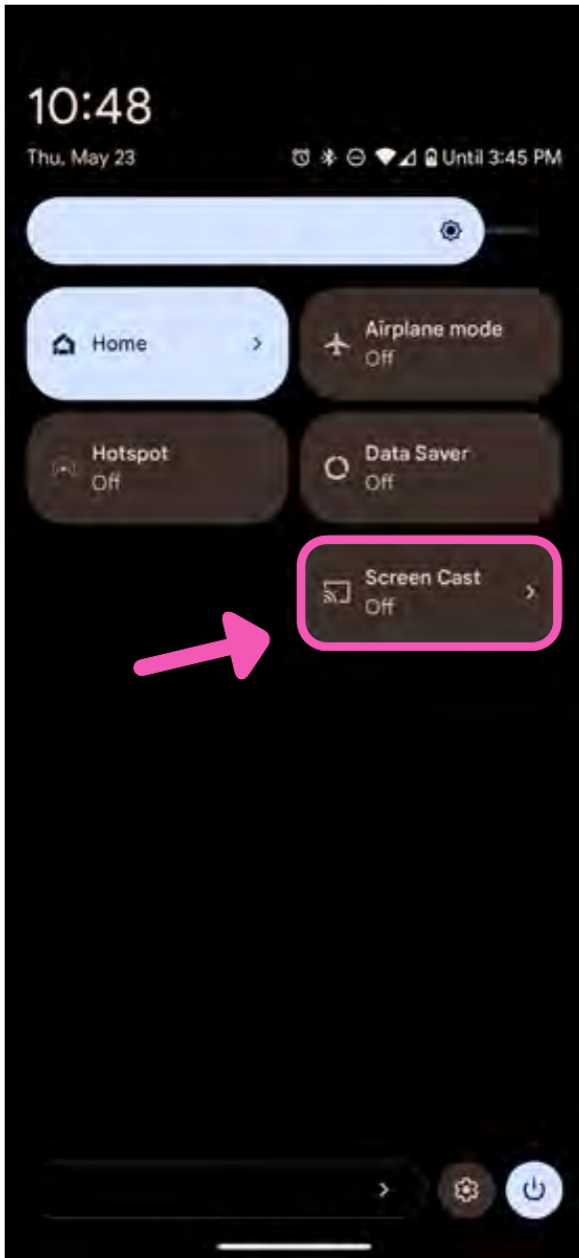
### **Screen Mirroring on iOS Devices**

1. Ensure that your iOS device and the rolling TV are connected to the same network.
2. On your iOS device, navigate to the Control Center and tap on the Screen Mirroring widget.
3. Tap on the device "DG3200RTV" to connect and start mirroring.



## Screen Mirroring on Android™ Devices

1. Ensure that your Android™ device and the rolling TV are connected to the same network.
2. On your Android™ device, navigate to the Control Center and tap on the Screen Cast widget. Tap on the device “DG3200RTV” to connect and start casting.



## Screen Mirroring on Laptops

1. Navigate to <http://usbdisplay.cn> and download the app on your laptop, and then connect to the Rolling TV's hotspot DG3200RTV\_XXXX.
2. Run the client app on your laptop, select DG3200RTV\_XXXX, then follow the instructions to start mirroring.

## Troubleshooting

### No image and sound

- Please check if the Product is powered on normally.
- Please check if the power adapter is powered on normally.
- Please connect other products to see if the wall outlet is faulty.

- Please check if the power cable at the back of the display is properly connected.

### **The product has unexpected shutdown**

- Please check if battery is low.
- Please check if the auto shutdown function is within the set time period.
- Please check if the Product has entered Eco mode and the display is under auto shutdown status.
- If the battery is overheating, the Product will shut down automatically to trigger protection mechanism.

### **No signal when external HDMI® device is connected**

- Please reboot the Product.
- Please reconnect the HDMI® cable.
- After the Product is rebooted, please restart the external HDMI® device.

### **Display error**

- As the Product's display has millions of pixels, tiny black spots or highlight color light spots may be shown on the display in PPM units. These neither represent abnormal display status, nor affect the Product's performance and reliability.
- When viewing the Product in different locations, the user may notice different brightness and display colors. This is a normal phenomenon that belongs to the Product's characteristics and is unrelated to the Product's performance.

### **Abnormal sound**

- Circuit buzzing/display signal noise: The Product may emit a low noise due to high currents when the circuit has high-speed switching. This noise does not affect the Product's performance and reliability.

## **Specifications**

	MideaTek MT8183 Octa-core 4*ARM
<b>CPU</b>	Cortex A73@2.0GHz / 4*ARM Cortex A53@2.0GHz
<b>RAM</b>	8GB
<b>Memory</b>	128 GB
<b>OS</b>	Android™ 13
<b>Display</b>	32" Diagonal
<b>Resolution</b>	1080×1920 IPS
<b>Touchscreen</b>	10-Point Capacitive Touchscreen

[Manualsum](#)

<b>Aspect Ratio</b>	16:9
<b>Wi-Fi®</b>	WiFi® 5 802.11 a/b/g/n/ac 2.4G + 5G
<b>Bluetooth®</b>	5.0
<b>Brightness</b>	250cd/m2 max
<b>Refresh Rate</b>	60Hz

<b>Connections</b>	<ul style="list-style-type: none"> <li>• HDMI® x1</li> <li>• USB-C® x1</li> <li>• USB® 3.0 x1</li> <li>• DC In x1</li> </ul>
--------------------	--

<b>Gravity Sensor</b>	Supports 90°
<b>Speaker</b>	Built-in 8Q 5W*2 Speakers
<b>Microphone</b>	Built-in Microphone
<b>Power Adapter</b>	18V 6A
<b>Operating Temperature</b>	32° -122°F

## Need Help?

For customer support regarding your device, please submit a request by emailing [support@dpaudiovideo.zendesk.com](mailto:support@dpaudiovideo.zendesk.com). You will be provided a ticket number regarding your inquiry, which you can refer to when contacting us further.

You may also reach a DuraPro customer service representative by calling 1-833-909-2673. We are available Monday – Friday, 9am – 5pm PST, except major holidays. We strongly urge customers to email their inquiry prior to calling, as this will enable us to better assist you.

Please make sure to note the model number and a description of your inquiry.

Thank you for purchasing a DuraPro product.

## Warranty Information

### Limited Warranty

DuraPro (the “Company”) warrants this new product purchased and contained in this package (the “Product”) against defects in material or workmanship for 90 Days (Parts & Labor) and 1 Year (Limited) from the date of delivery. In order for the Company to honor this limited warranty, you must present a valid proof of purchase or delivery, as applicable (e.g. a receipt or delivery notice that also shows purchase) of this Product.

IMPORTANT



**NOTE:** The customer is encouraged to carefully inspect the Product upon receipt after purchase — especially prior to any assembly, disassembly, mounting, installation or utilizing a third-party product of any kind, such as a decorative or protective cover or case.

This warranty is void if the Company deems, in its discretion, that the Product may have been damaged when the packaging was opened, through modification, improper transport, improper storage, improper use, improper assembly or disassembly, exposure to adverse elements, mounting or other installation, end user negligence, water damage or tampering of the barcode of the Product. This warranty does not apply: (a) to cosmetic damage, including but not limited to screen damage, a cracked display, scratches, dents and broken ports; (b) to damage caused by accident, abuse, misuse, fire, water vapor exposure, excessive exposure to humidity, water or other liquid contact, earthquake or other external cause; (c) to defects caused by normal wear and tear or otherwise due to the normal aging of the product; (d) if any serial number has been removed or defaced from the product; or (e) to damage caused by installation or mounting, assembly or disassembly, use with a third party device, cable, protective or decorative cover/ case, component or product that does not meet the Company's product specifications. This warranty is a limited warranty for repair of the Product or replacement of the Product with a new or refurbished product, subject to the conditions set forth herein.

The Company is not liable for consequential, indirect, incidental, special or punitive damages and the Company's total liability hereunder shall not exceed an amount greater than the retail purchase price of the product.

### **90 Days Parts & Labor**

The Company warrants to you as the original retail purchaser of the Product, that should the Product have any warranted defect out of the packaging, under normal conditions, such defect(s) will be repaired or replaced with a new or refurbished part (at the Company's sole discretion) without charge, if the Product is submitted to the Company within a period of ninety (90) calendar days from the date of delivery of the Product. The customer is responsible for transportation cost and insurance charges (if applicable) to the Company and must be able to document a clear proof of delivery to the Company as well as proof of registered receipt by the Company. It is the customer's responsibility to retain original packaging or provide like packaging in order to facilitate the warranty repair or replacement process. The Company will incur no liability whatsoever to provide packaging for warranty items. Should the product be damaged en route to the Company due to insufficient or improper packaging or improper transport, the warranty may be voided. You must receive a return authorization number (RMA#) before sending the unit in for service. This warranty only applies to manufacturer defects, and the Product must be returned to the Company in its original condition.

### **1 Year Limited Parts**

If determined to be covered under warranty, the one (1) year (from delivery) limited parts warranty gives the customer the option to return the Product to [Manualsum](#)

the Company for repair or replacement. The customer will be responsible for labor charges. This warranty does not cover any incidental or indirect costs incurred as a result of a defect in the Product, including any consequential, incidental or indirect damages.



DuraPro intends to make this manual accurate and complete. However, DuraPro makes no claim that the information contained herein covers all details and conditions. The information in this document is subject to change without notice at any time. DuraPro assumes no responsibility for accuracy or completeness of the information contained in this manual.

DURAGO DG3200RTV SMART TOUCHSCREEN TV User Manual