

TONOR TW720 WIRELESS MICROPHONE User Manual

Manualsum, simplified manuals

Table of Contents

- [TONOR TW720 WIRELESS MICROPHONE User Manual](#)
 - [ABOUT THIS MANUAL](#)
 - [Package Including](#)
 - [OPERATING ENVIRONMENTS & NOTES](#)
 - [SPECIFICATIONS](#)
 - [MICROPHONE OPERATION INSTRUCTION](#)
 - [TROUBLESHOOTING](#)
 - [WARRANTY](#)

TONOR TW720 WIRELESS MICROPHONE User Manual

TONOR TW720 WIRELESS MICROPHONE User Manual

Fujian EastWest Lifewit Technology WIRELESS MICROPHONE User Manual

FCC id: [2AZNY-TW720](#)

TONOR

UHF Wireless Microphone Instruction Manual

TW720

UK
CA



RoHS



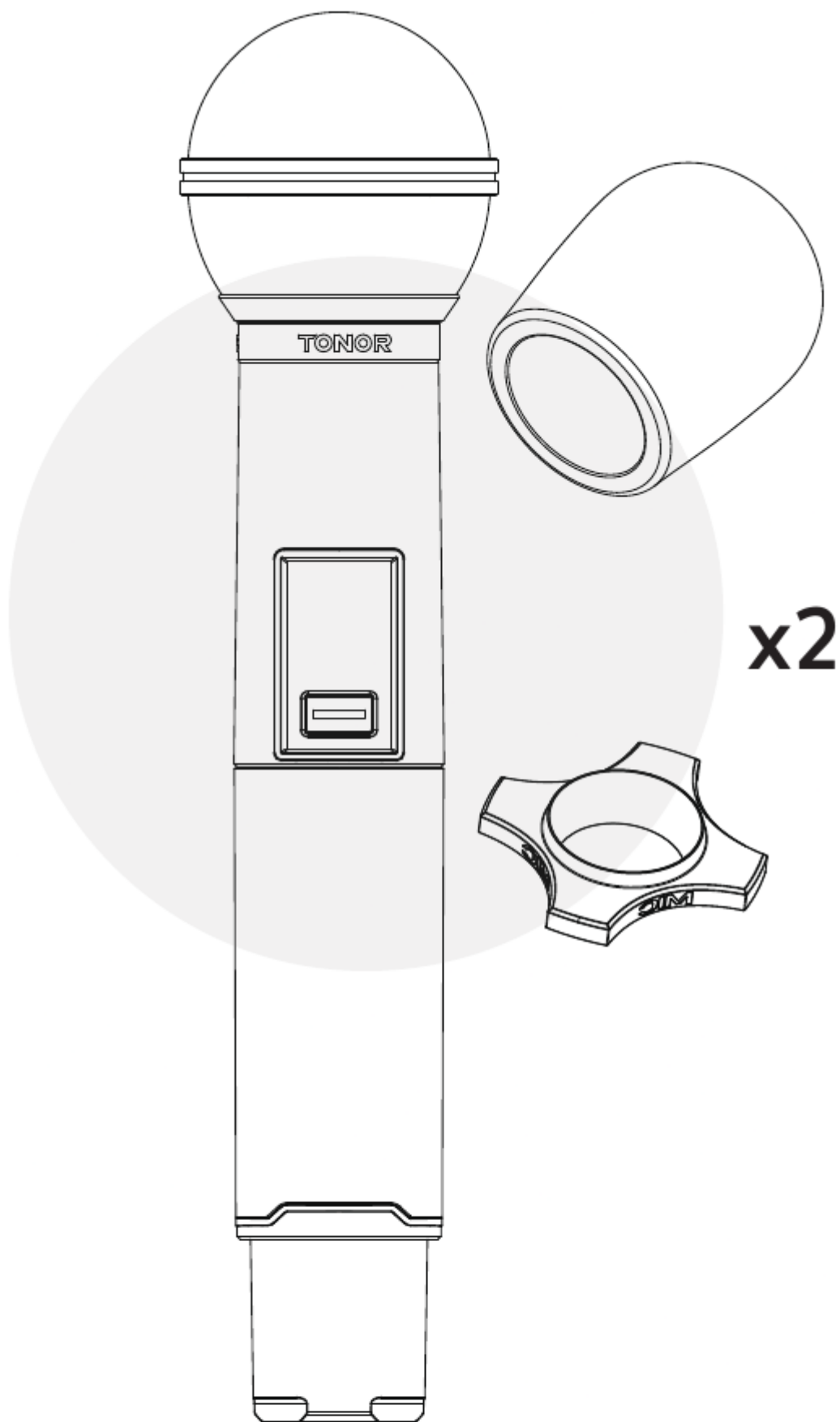
ABOUT THIS MANUAL

Thank you for purchasing TONOR wireless microphone. This manual is intended to help you understand all about this microphone and how to use it. TONOR always strives for the ultimate user experience. All our knowledge and passion for audio technology are incorporated into building microphones with high performance for you. The TONOR microphone is high quality and easy to use to achieve the best user experience.

Enjoy your microphone!

TONOR Team

Package Including



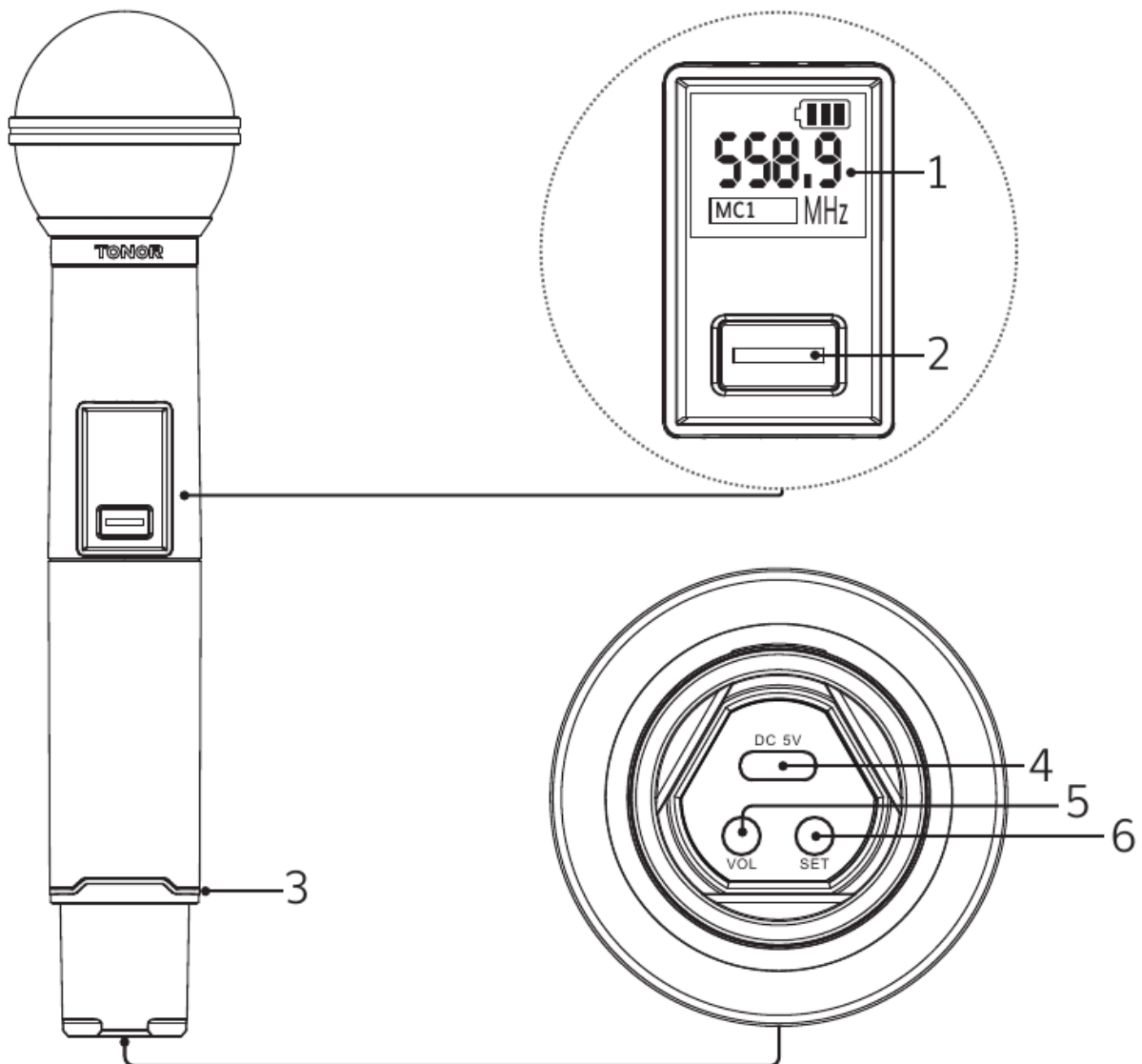
OPERATING ENVIRONMENTS & NOTES

- When using this device, keep it away from water.
- Use the device in ventilated environment, keep it away from fire.
- Since it's a wireless device, please keep it away from other interfering sources.
- Don't take apart the device.
- Please use the standard power supply, high voltage may damage the device.
- When the battery is low, the mic or receiver will automatically shut down. Please charge it.
- Recommended to use the original charging cable for all charging equipment. Or use a Type-A to Type-C charging cable.
- Not recommended to use equipment while charging.

SPECIFICATIONS

1. Frequency Range: 540-570MHz
2. Channels: 25ch/each channel
3. RF Power: 10dBm
4. Frequency Response: 50Hz-18kHz
5. T.H.D: <0.5%
6. Mic Battery: Lithium battery 3.7V/1200mAh
7. Mic Charging Time: 2-3 hours
8. Mic Battery Life: 7-9 hours
9. Receiver Battery: Lithium battery 3.7V/1500mAh
10. Receiver Charging Time; 2-3 hours
11. Receiver Battery Life: 7-9 hours
12. Working Distance: Up to 100m

MICROPHONE OPERATION INSTRUCTION



1. LCD Display

2. Power Button with LED Indicator

- Click to turn on. Long press for 2 seconds to turn off.
- Click to be mute when it is power on. And the LED light is red.

3. LED Indicator

- Power on state: Blue light means power on. Light off means mute.
- Power off state: Red light means charging and light off when completed.
- Power on state: Purple light means charging and red light means mute.

4. TYPE-C Charging Interface

5. VOL:

- Click to adjust the volume in U01 to U05 cycle.

- Press and hold for 4 seconds to lock the microphones and the current receiver. At this time, the screen displays “—” to indicate successful locking. When using multiple sets, each set needs to be operated once.

6. SET

- Click to adjust the frequency in CHO1 to CH25 cycle.
- Press and hold for 5 seconds to switch between MIC1/MIC2. Please ensure that the two microphones are MIC1 and MIC2 for normal use.

TROUBLESHOOTING

- Turn on all the microphones, but one of them has on sound.
 - Confirm that the two microphones are MIC1 and MIC2 respectively. If not, please press and hold the SET button for about 5 seconds to switch MIC1 and MIC2. Then wait for the microphone and receiver to connect automatically.
 - Received signal with noise or interference
 - Change to other frequencies.
 - Check whether the receiving distance exceeds the maximum range.
 - Microphone or receiver cannot be tuned on
 - Check whether microphone or receiver is full charged.
 - How to use multiple sets together
-
- a. Make sure all devices are turned off.
 - b. Turn on the first set of receiver and microphone.
 - c. Then press and hold the VOL button of MIC1 and MIC2 for 4 seconds to lock the microphones and receiver. The microphone screen displays “———” to indicate successful locking.
 - d. Turn off the first set of microphones and receiver.
 - e. Open the second set and repeat step 1 to step 4, and so on.
 - f. After all set are locked, turn on multiple sets at the same time.
 - Then click the SET button to set the unique frequency of each microphone.

EU Declaration of conformity

* RoHS Directive (2011/65/EU)

Hereby, Fujian EastWest Lifewit Technology Co.,LTD declares that the radio equipment type TW720 is in compliance with Directive 2014/53/EU.

The full text of the EU declaration of conformity is available at the following internet address: <https://www.tonormic.com/pages/eu-declaration-of-conformity>

Conditions and restrictions for using frequencies

Conditions and restrictions for using frequencies

There may be special conditions and restrictions for using frequencies in your country.

Before putting the product into operation, find the information for your country at the following address: <https://www.tonormic.com/pages/permitted-frequency-bands>

WARRANTY

TONOR provides 2 years of after-sales service, free replacement to products that are NOT damaged resulting from accident, alteration, misuse, negligence, or abuse. If exceeding 30 days of Amazon return policy, you can still contact us through our Shopify TONOR- MIC. We will serve you with full sincerity!

<https://www.tonormic.com>

support@tonormic.com



Vous êtes responsable de remettre tous les appareils électriques et électroniques usagés à des points de collecte correspondants.

Pour en savoir plus:
www.quefairedemesdechets.fr



FR

**Les piles
et batteries
se recyclent**

À DÉPOSER
EN MAGASIN



OU

À DÉPOSER
EN DÉCHÈTTERIE



Points de collecte sur www.quefairedemesdechets.fr