

[GCteq Charging Board for Apple User Manual](#)

[Manualsum](#), simplified manuals

Table of Contents

- [GCteq Charging Board for Apple User Manual](#)
 - [Precautions](#)
 - [Feature](#)
 - [Specification](#)
 - [Product Warranty Instructions](#)
 - [Non warranty regulations](#)
 - [Hazardous Substance Declaration](#)
 - [Common product faults](#)

GCteq Charging Board for Apple User Manual

GCteq Charging Board for Apple User Manual

GCteq Wireless (Shenzhen) Embedded 3-in-1 Wireless Charging Board for apple User Manual

[2ATX3-GF-17-01B](#)



Precautions

Please read and follow the following precautions carefully before installing and using this product:

1. Use a safety-standard adapter to power the device.
2. Wireless charging distance is 3-8mm.
3. Ensure no metal objects between charger and phone during charging.
4. Do not place magnetic cards in the charging area.
5. Do not exceed maximum charging distance for best experience.

Feature

1. Easy and fast installation process.
2. Three-in-one charging for iPhone, iWatch, and AirPods.
3. Wood grain water transfer process for stylish application.
4. Supports Qi wireless charging and fast charging protocols.
5. Provides Max. 18W A port and Max. 30W C port wired charging interfaces.
6. Intelligent power distribution for different applications.

Specification

Product Name Embedded 3-in-1 Wireless
Charging Board for Apple

Model GF-17-01

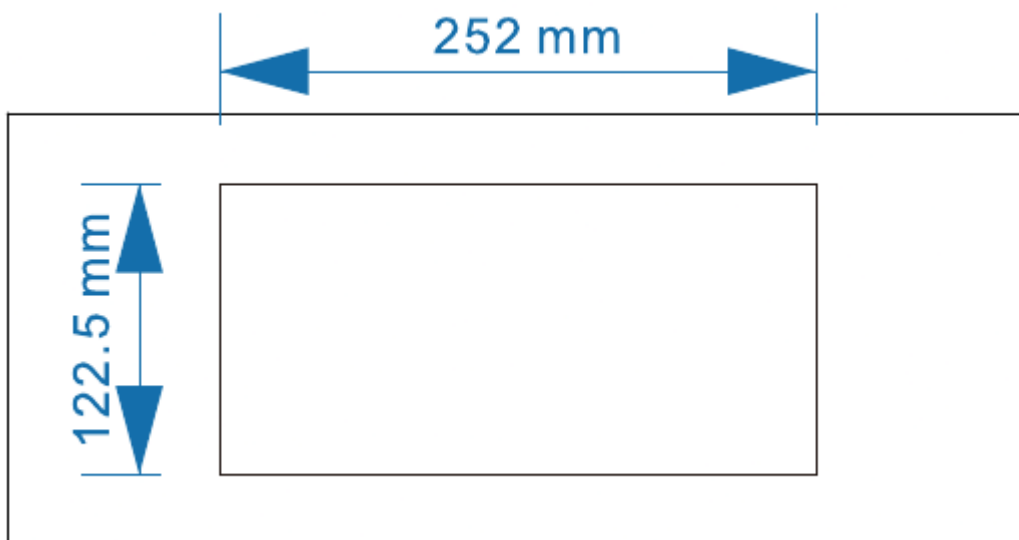
GF-17-01 [Manual](#)

Input	DC 24-36V	
Input Interface	01 Male connector or 5-pin male connector	01 male connector
Wireless Charging Output	Mobile phone	15W Max
	Airpods, iWatch	5W Max
Type-C Output		30W Max
USB-A Output		18W Max
A+C Combined Output		15W Max
Wireless Charging Protection	Over-temperature protection, over-voltage protection, over-current protection, FOD foreign object detection	
	Press the button to start the motor	
Motor Control Logic	Press the button during operation to stop the motor	N/A
	Press the button again to run the	
Dimensions	278*141.8*47.2mm	

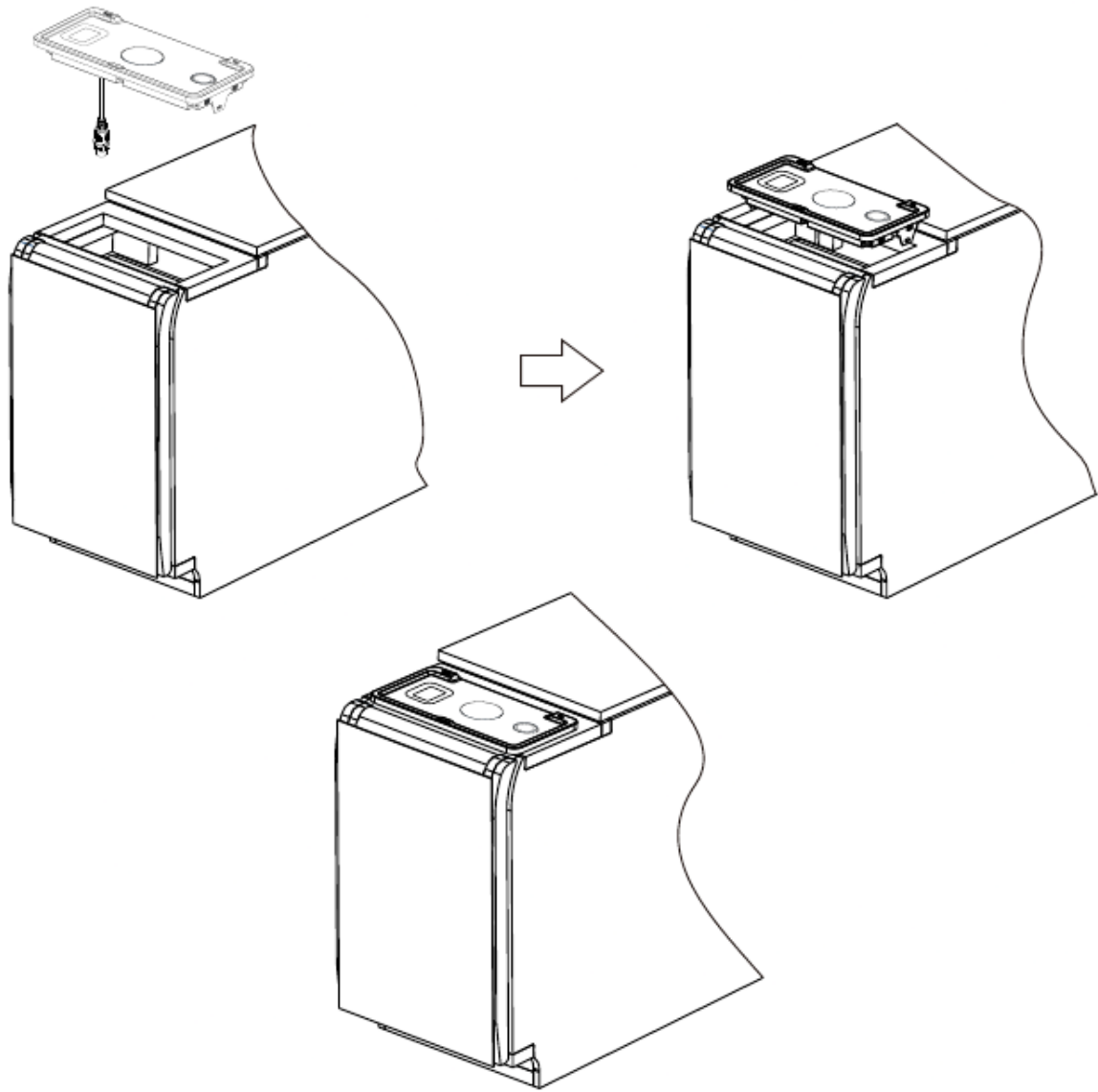
Installation

1. The size of the opening on the furniture surface should be 252 x 122.5mm.

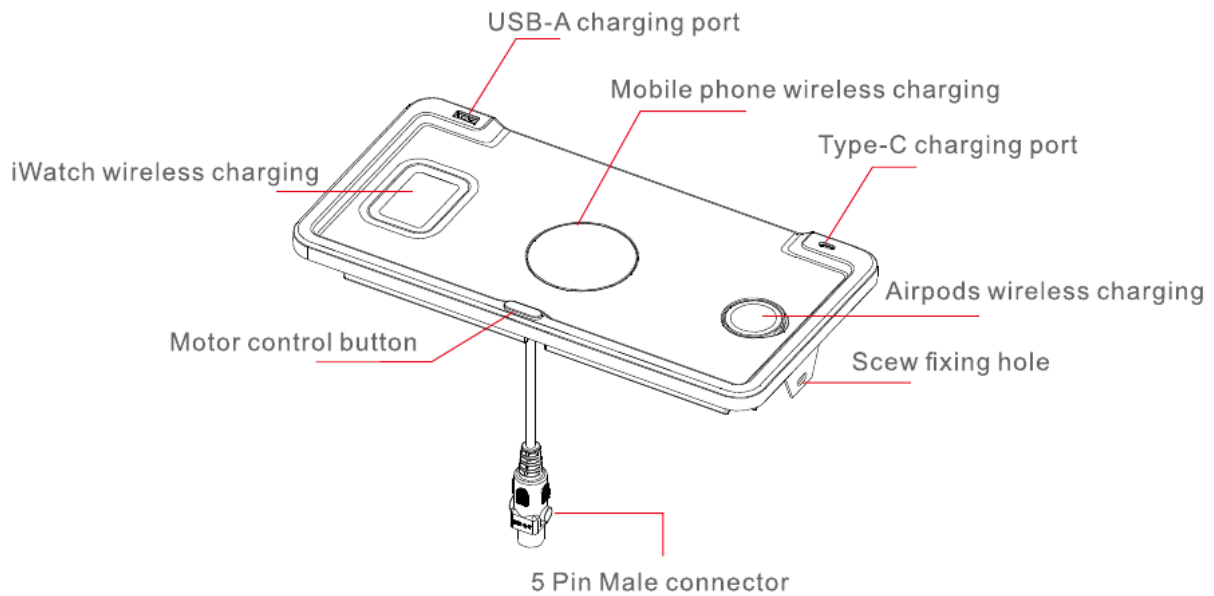
Leave a reasonable amount of space at the bottom to facilitate heat dissipation of the product, as shown below:



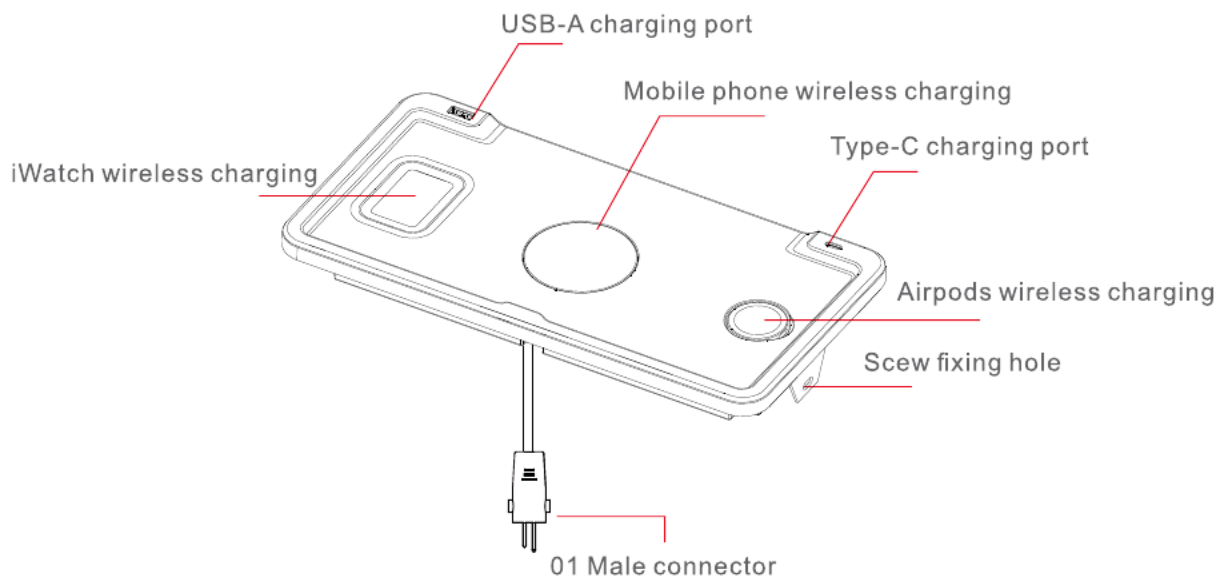
2. Place the product into the opened square hole, press it tightly, and fix it with screws, as shown below:



Product Introduction



GF-17-01 Series



GF-17-03 Series

Product Warranty Instructions

Wireless charger product after-sales service strictly in accordance with Law of the PRC on the Protection of the Rights and Interests of Consumers, and Product Quality Law of the People's Republic of China Adopted to provide After-sales service.

The services are as follows:

[Manualsum](#)

1. Within 7 days from the next day after purchase (sign for), if this product has performance failure, you can enjoy free return or exchange service after being tested and determined by the after-sales service center;

2. Within 15 days from the next day after you purchase (sign for), if this product has performance failure, you can enjoy free exchange or repair service after being tested and determined by the after-sales service center;

3. Within 1 year from the next day after you purchase (sign for), if this product has performance failure, you can enjoy free repair service after being tested and determined by the after-sales service center.

Non warranty regulations

In one of the following cases, we don't offer three guarantees and only charging maintenance will be provided:

1. Damage caused by improper use, maintenance and storage of consumers;
2. Damage caused by unauthorized service provider;
3. There is no valid invoice or proof of purchase;
4. Damage caused by majeure.

Hazardous Substance Declaration

This mark is the product pollution control mark, the number of which represents the environmental service life. In this period of time, under normal conditions of use harmful substances will not cause greater pollution to the environment or damage to human life and property.

Name of parts	Lead (Pb)	Mercury (Hg)	Cadmium (Cd)	Hexavalent-Chromium (Cr(VI))	Polybrominated-Biphenyls (PBB)	Polybrominated diphenyl ether (PBDE)
Electronic components	⊗	○	○	○	○	○
Plastic casing	○	○	○	○	○	○
Electroplated aluminum alloy parts	○	○	○	○	○	○
Non-electroplated metal parts	○	○	○	○	○	○
Double faced adhesive tape	○	○	○	○	○	○
	○	○	○	○	○	○ Manualsum

Synthetic cork

Silicon parts

0 0 0 0 0 0 0

This form is in term of Stipulation SJ/T 11364

○ It means that the content of the harmful substance in a part of the part is lower than the limit requirements specified in GB/T 26572

⊗ It means that the content of the harmful substance in a part of the part exceeds the limit requirements specified in GB/T 26572

Common product faults

Phenomenon	Cause	Troubleshooting
Wireless charging not working	<ol style="list-style-type: none">1. Power supply doesn't meet requirements.2. Poor contact in power interface.	<ol style="list-style-type: none">1. Use an adapter that meets requirements.2. Ensure secure connection of power port.
Wireless charging slow	<ol style="list-style-type: none">1. Product body temperature too high2. Misaligned wireless charging area.	<ol style="list-style-type: none">1. Let the product cool to room temperature.2. Place the phone in the center of the charging area for better alignment.

