

[XM antenna User Manual](#)

[Manualsum](#), simplified manuals

Table of Contents

- [XM antenna User Manual](#)
 - [DIMENSIONS](#)
 - [SPECIFICATIONS](#)
 - [Radiation Pattern](#)

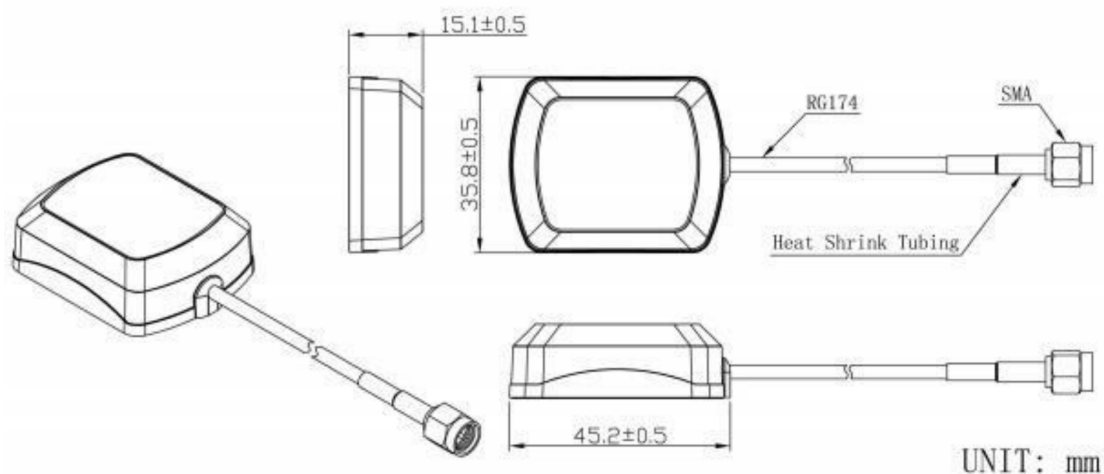
XM antenna User Manual

XM antenna User Manual

FCC id: [2BKUD01TXSA](#)



DIMENSIONS

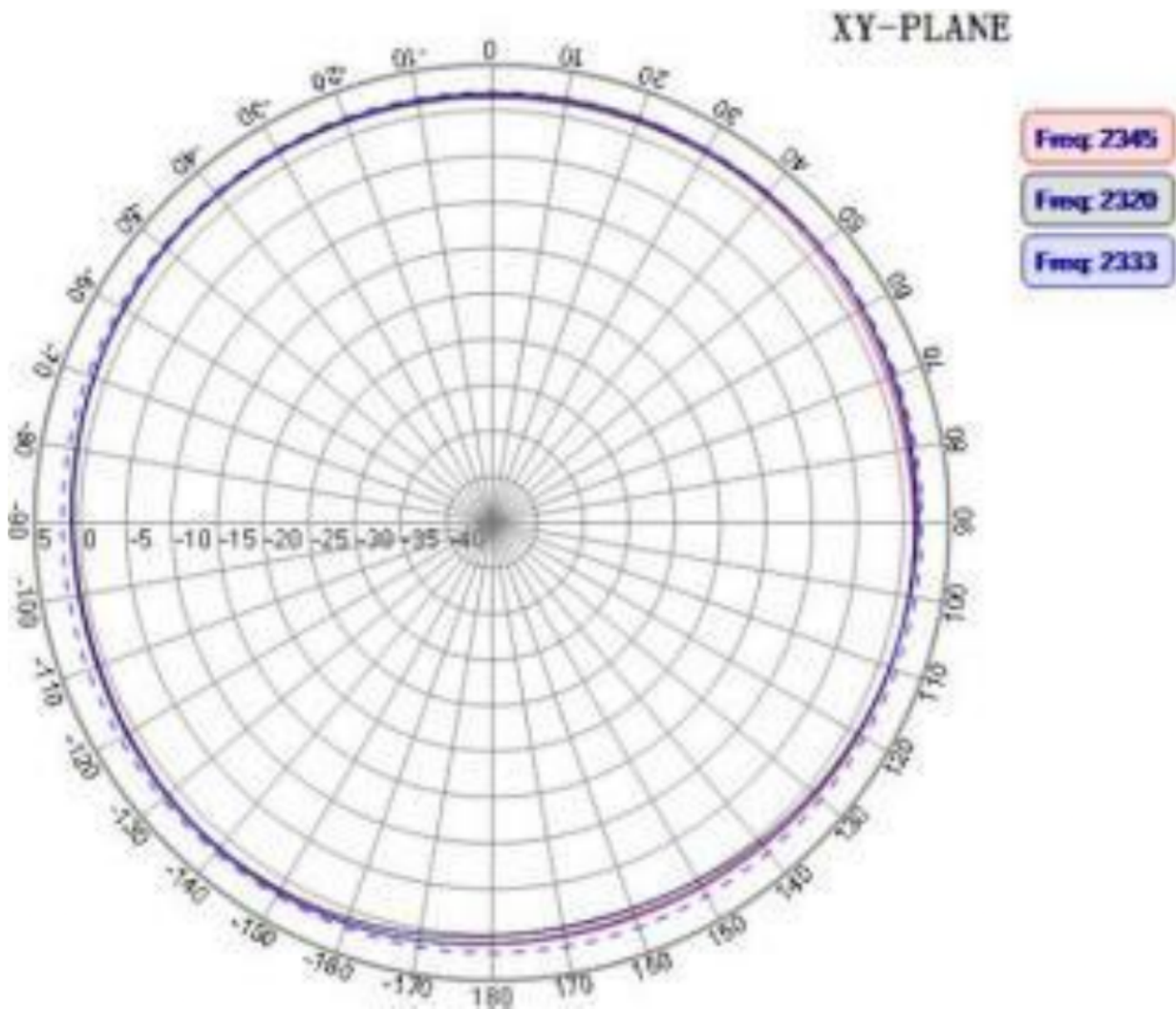


SPECIFICATIONS

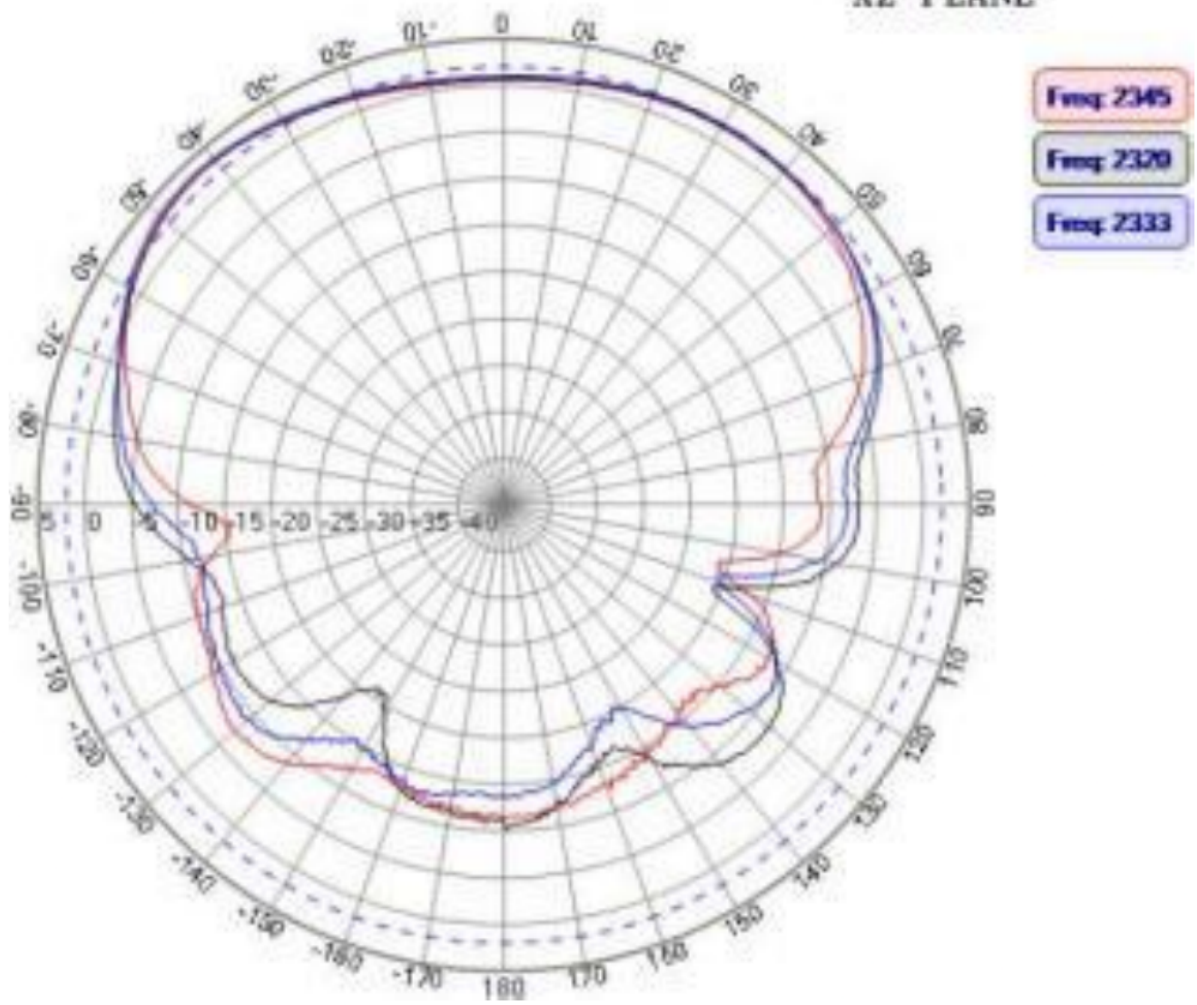
Item	Specification	
Antenna	Frequency Range	2320~2345MHz
	Band Width	25MHz
	Polarization	LHCP
	Gain	3dBic
	V.S.WR	<1.5
	Impedance	50 Ω
	Axial Ratio	3dB (max)
	Dimension	25*25*4mm
LNA	Gain	34±2dB
	Noise Figure	<1.0dB
	Supply Voltage	3~5V DC
	Current Consumption	<40mA@3.3V
Mechanical	V.S.W.R	<2.0
	Cable	RG174
	Connector	SMA/MCX/FAKRA or others

	Radome Material	ABS
	Mounting Method	Magnet/Adhesive
	Operating Temperature	-40°C~+85°C
	Relative Humidity	Up to 95%
Environmental	Ingress Protection	IP67
	Vibration	10 to 55Hz with 1.5mm amplitude 2hours
	Environmentally Friendly	ROHS Compliant

Radiation Pattern



XZ-PLANE



YZ-PLANE

