

Hefei Eileen Remote Controller User Manual 2BGXK-RE033

[Manualsum](#), simplified manuals

Table of Contents

- [Remote controller User Guide 2BGXK-RE033](#)
 - [INSTALLING RECEIVER IN CEILING FAN](#)
 - [A. Safety precautions:](#)
 - [B. Electrical rating:](#)
 - [C. Installing receiver in fan:](#)
 - [OPERATING TRANSMITTER:](#)

Remote controller User Guide 2BGXK-RE033

INSTALLING RECEIVER IN CEILING FAN

A. Safety precautions:

WARNING: HIGH VOLTAGE! Disconnect power by removing fuse or switching off circuit breaker. Do not use with solid state fans. Electrical wire must meet all local and national electrical code requirements.

B. Electrical rating:

110/240V 50/60Hz MAX. Motor watts: 40W MAX. Light watts: 60W

Otherwise power can cause serious injury or death.

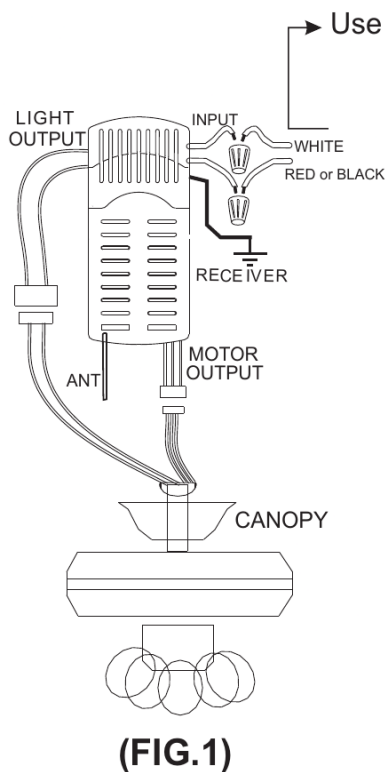
C. Installing receiver in fan:

(FI1G.2)

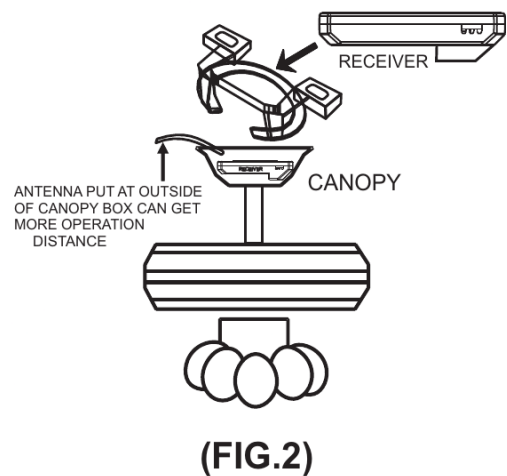
1. Remove power from the circuit.
2. Remove ceiling fan canopy from the mounting bracket.

[Manualsum](#)

3. Disconnect existing wiring between ceiling fan and Supply in electrical junction box.
4. Make connections as follows, using the wire nuts supplied: (FIG.1)



FROM POWER SOURCE
AC 110~240 VOLT 50/60Hz

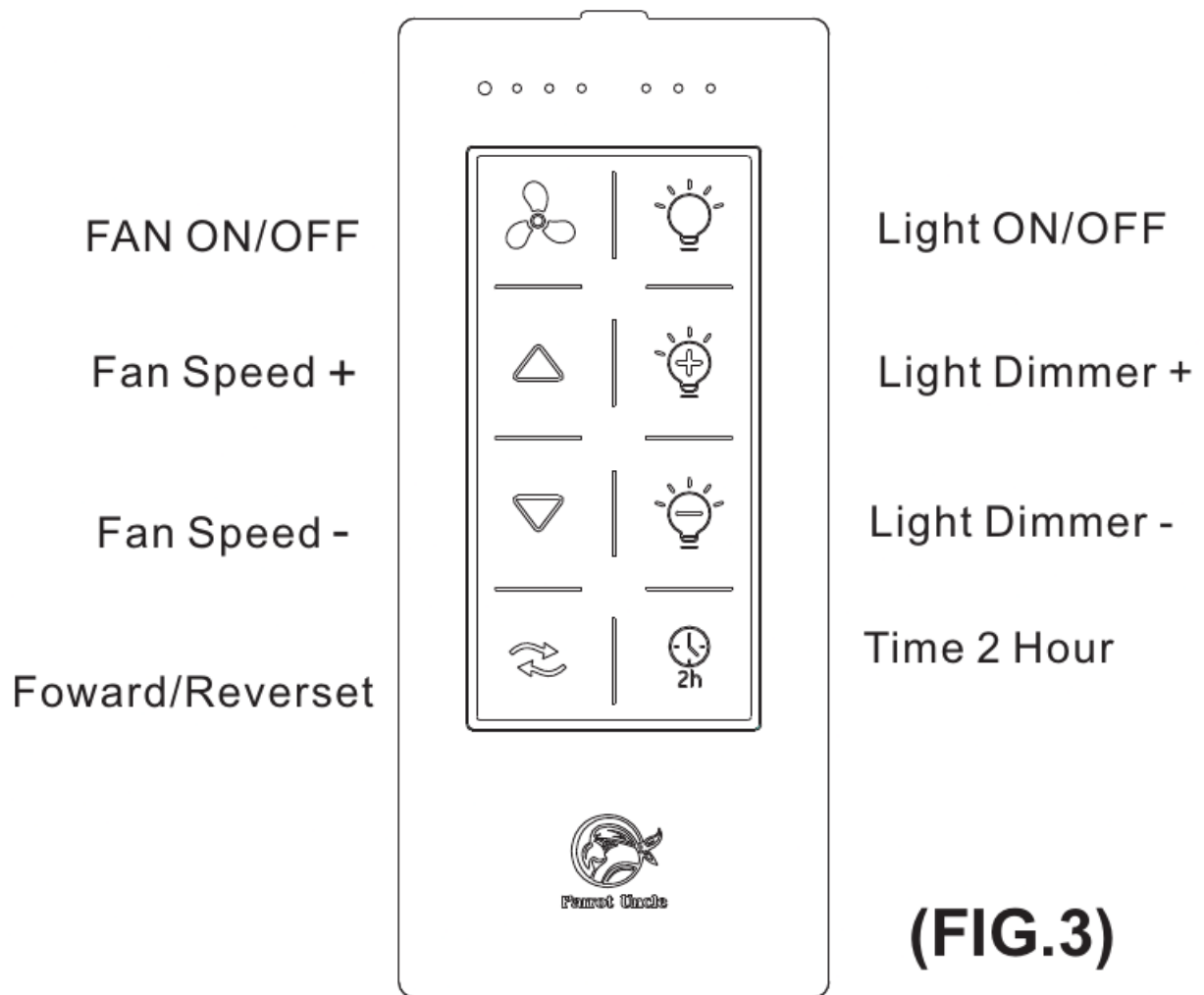


CONNECT TO

- Green fan wireBare supply wire
- Black receiver wire(AC IN L)Black supply wire
- White receiver wire(AC IN N)White supply wire
- Brown receiver wire(TO MOTOR 1)Brown fan wire
- Black receiver wire(TO MOTOR 2)Black fan wire
- Red receiver wire(TO MOTOR3)Red fan wire
- Blue receiver wire(For light)Blue light wire
- White receiver wire(For light)white light wire

OPERATING TRANSMITTER:

- A.** Install 2032 3 volt battery. (To prevent damage to transmitter, remove the battery if not used for a long time).
- B.** Store the trans mitter away from excessive heat or humidity.
- C.** Operating the buttons on the panel of the transmitter.
- D.** Keep pressing the light button “0 in excess of 0.7 second and it becomes a dimmer.



D. Setting the codes on the receiver: The Learn Key must be pressed with in 5 seconds, after pressing the Power button. If not, please press the Power button to restart. Keep pressing the button LEARN key in excess of 3 second it becomes a LEARN status. The receiver can remem ber the last codes status . The ceiling fan light flash two times. (FIG.4)

