

HHO LOVE Automatic Cat Litter Box Pro User Manual

Manualsum, simplified manuals

Table of Contents

- [HHO LOVE Automatic Cat Litter Box Pro User Manual](#)
 - [Products](#)
 - [Getting Started](#)
 - [To help your cat transtition to the new litter box:](#)
 - [Control Functions](#)
 - [Status Indicators](#)
 - [Solid Green](#)
 - [Solid Red:](#)
 - [Solid Blue](#)
 - [Flashing Green](#)
 - [Flashing Red](#)
 - [Solid Purple](#)
 - [Off](#)
 - [App Introduction](#)

HHO LOVE Automatic Cat Litter Box Pro User Manual

HHO LOVE Automatic Cat Litter Box Pro User Manual

[2A5DZ-CL-TYW](#)



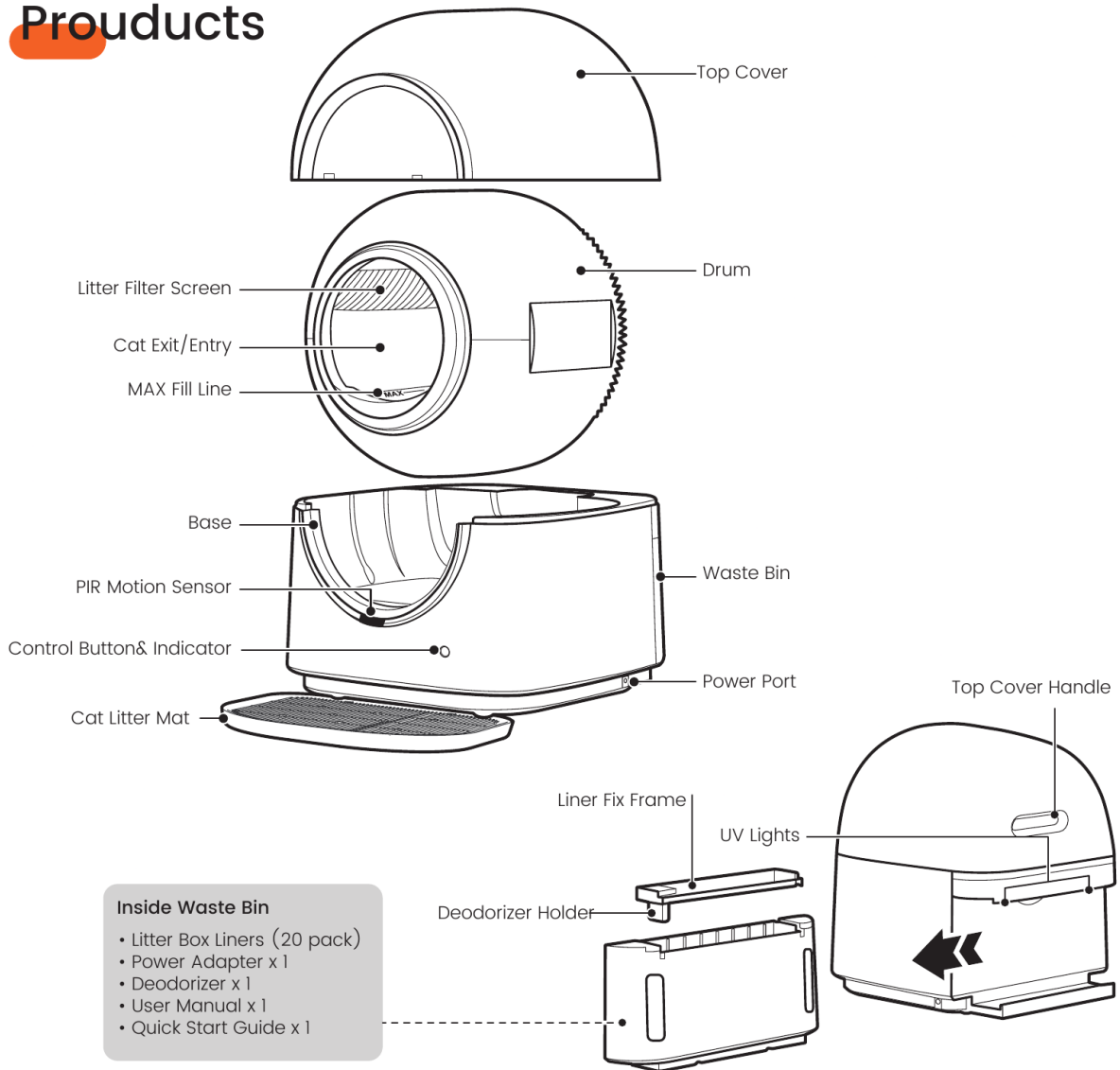
Automatic Cat Litter Box®

QUICK GUIDE

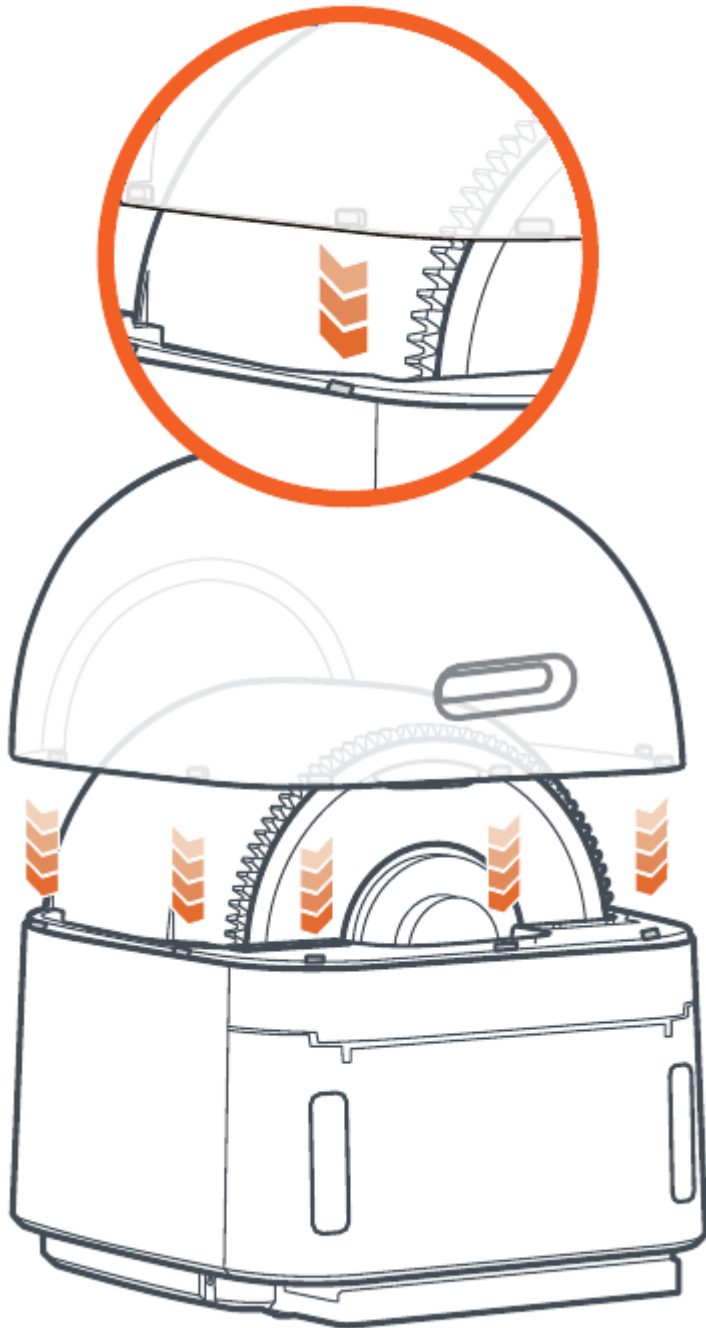
[Manualsum](#)

Products

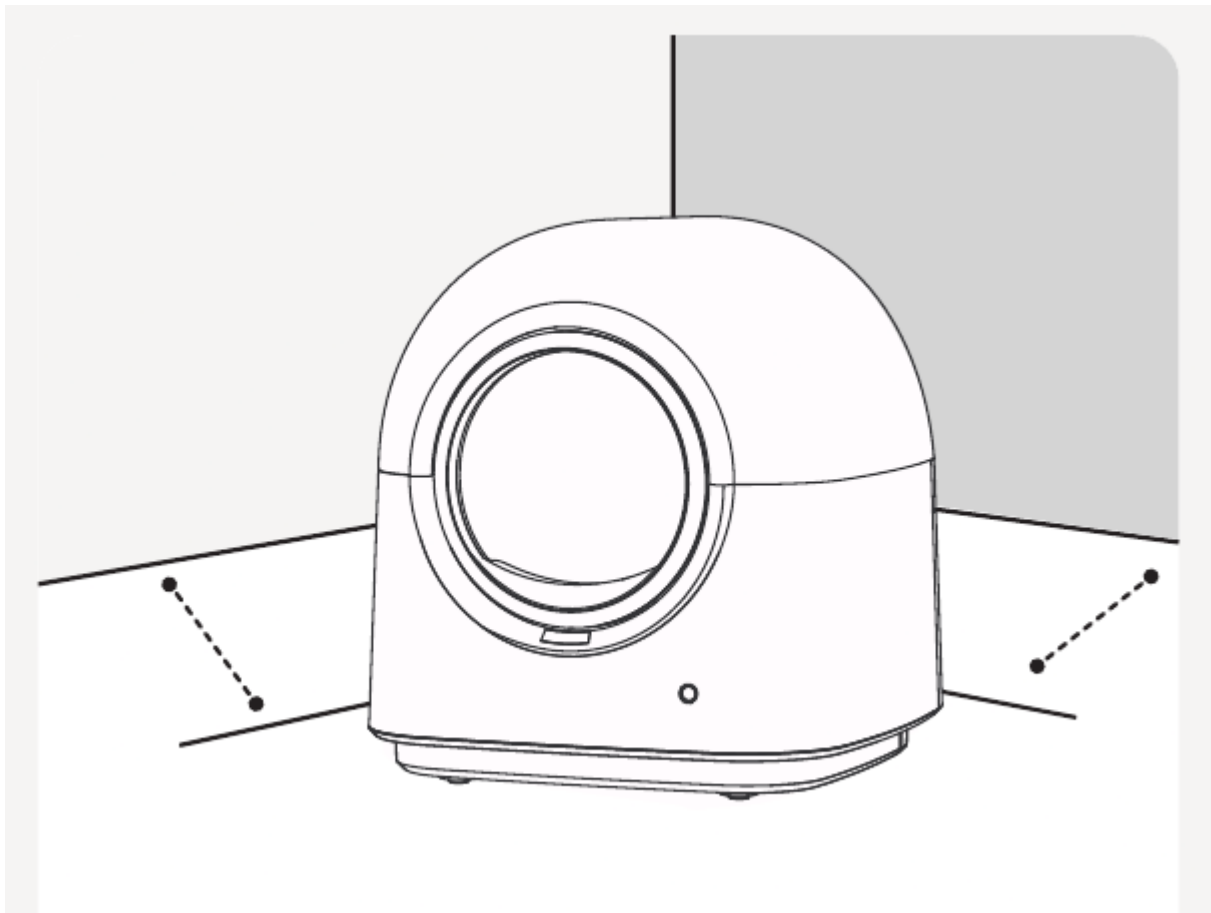
Products



Getting Started

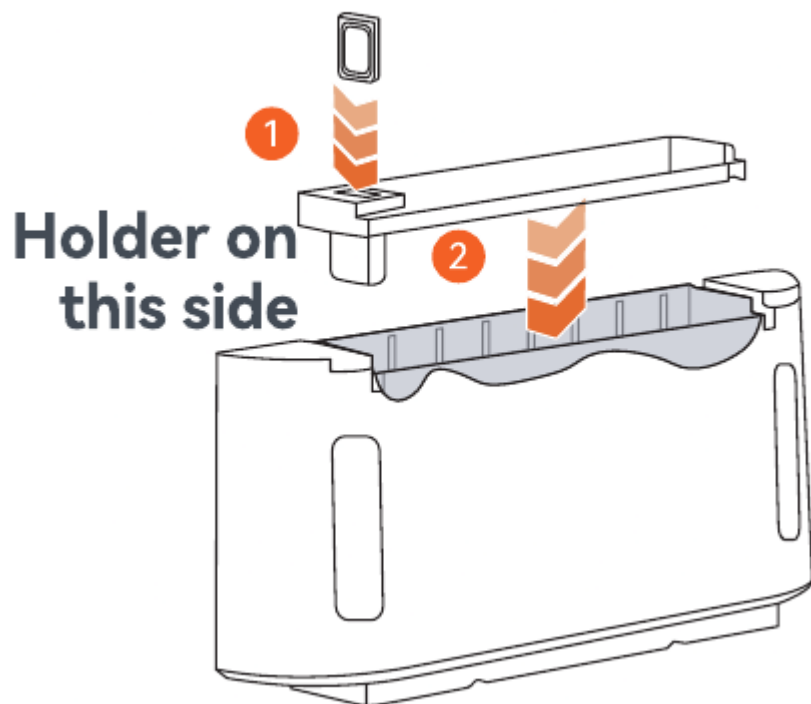


Make sure that the top cover and waste bin are properly installed in place before plugging into an outlet.

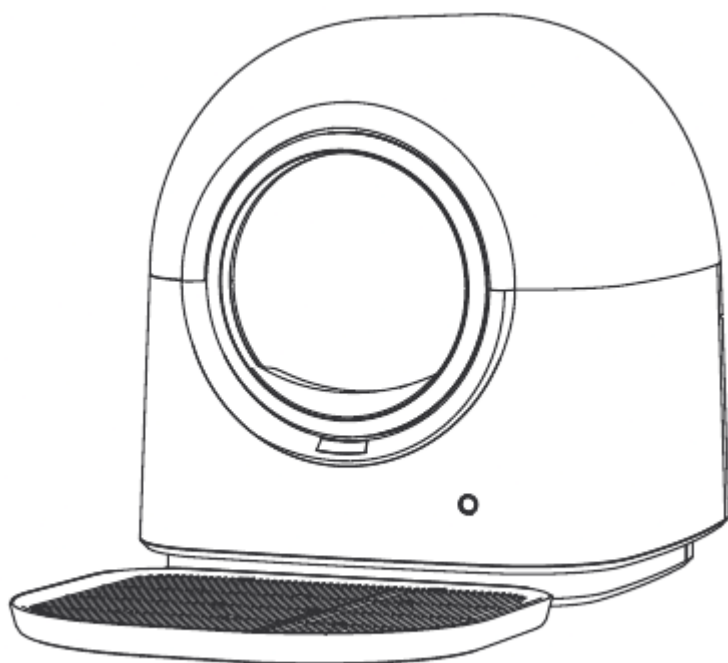


Locate the litter box indoors on a firm, level surface with little space around.

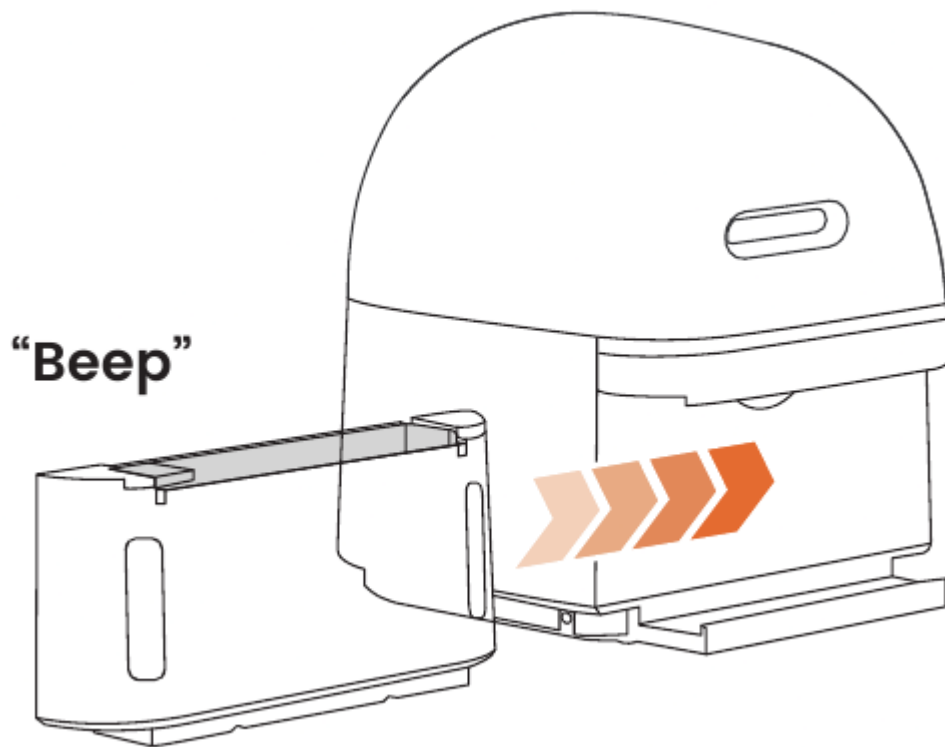
Do not touch any walls.



Open the deodorizer and place it into the deodorizer holder. Insert the frame back.

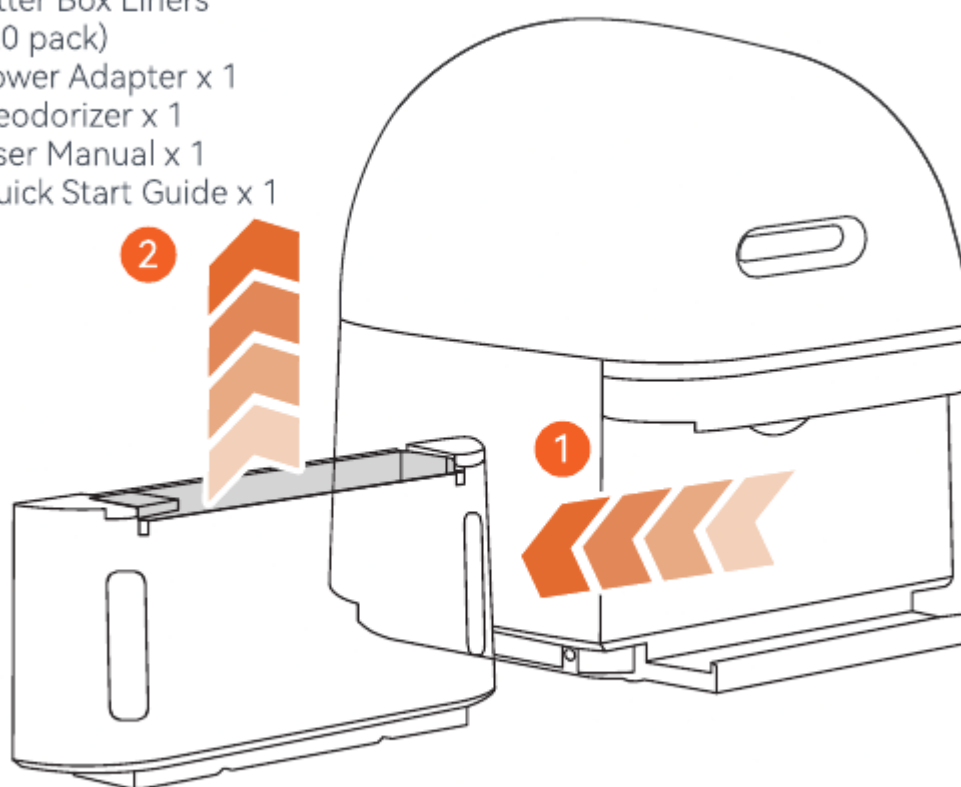


Tear off the tapes at the back of the litter mat. Place the mat in front of the litter box.

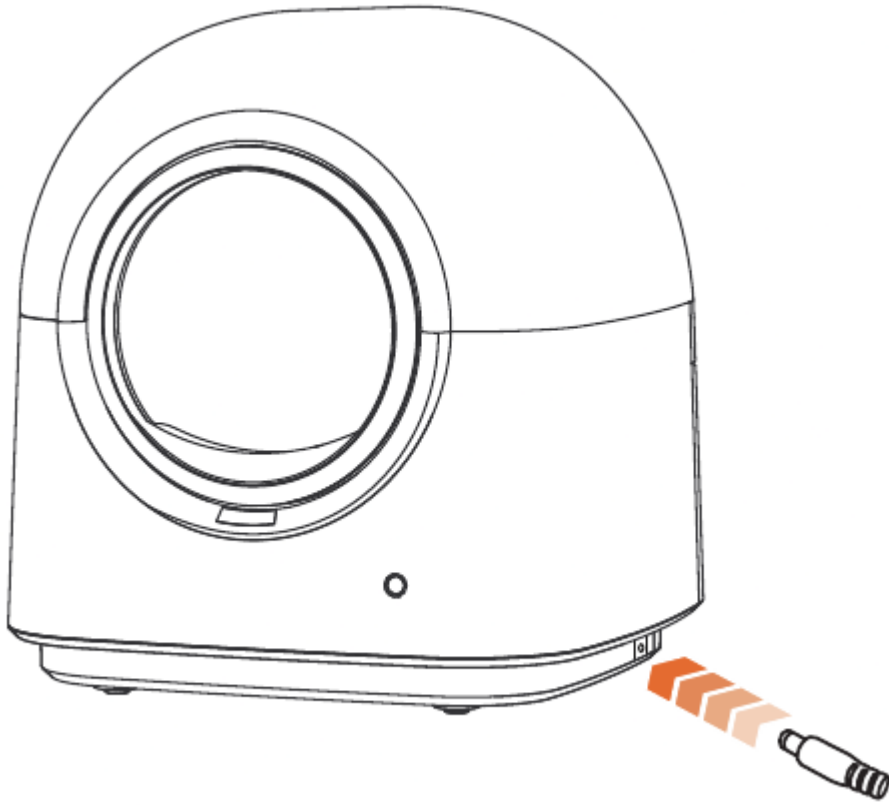


Slide the waste bin back in place. You will hear one beep once the waste bin is properly installed (if already connected to power).

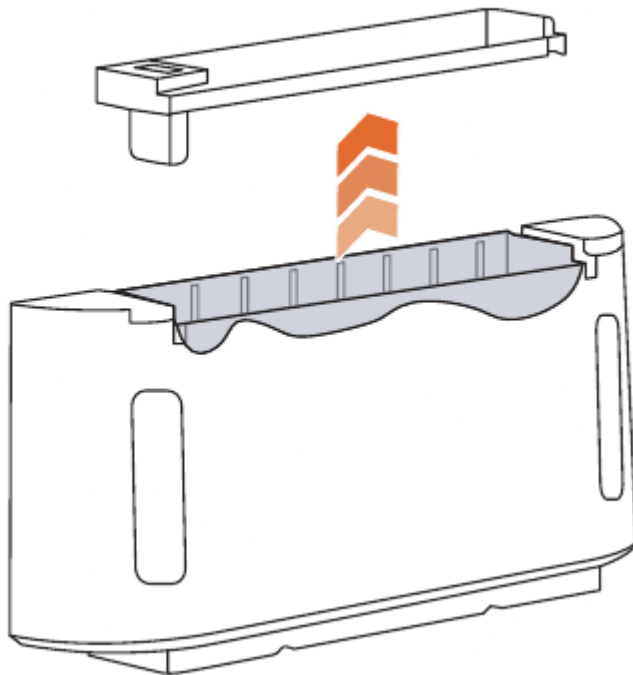
- Litter Box Liners (20 pack)
- Power Adapter x 1
- Deodorizer x 1
- User Manual x 1
- Quick Start Guide x 1



Slide out the waste bin from either side. Take out all accessories inside.



Plug in. The drum will rotate a full circle automatically. Wait for it to return to Home position.

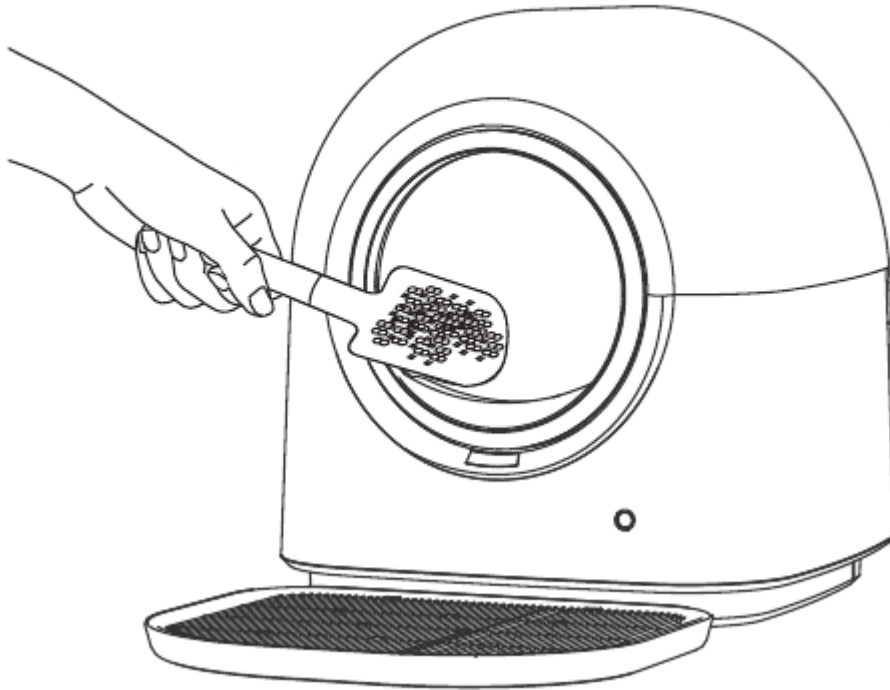


Remove the fix frame.

Spread a litter box liner evenly inside and smooth out all edges.

Do Not Overfill

⚠ Do Not Overfill



Add clumping litter up to the MAX line. Wait for the drum to automatically spread the litter flat.

To help your cat transition to the new litter box:

Location is Key. Place the litter box in the same location as the old one, or leave the old one nearby for a short period of time (at least during transition).

Keep the Old Box. Do not throw out the old box. Put the new one in its designated spot and stop cleaning out the old one.

Use Recognizable Scents. Add a scoop of litter from the old litter box to provide a familiar scent for your



Control Functions

Hold for 10s to bring into pairing mode or restore to factory settings.



Press once to start a clean cycle. If already started, press it once to pause.



Press twice to empty all litter. If already started, press it once or twice to pause.

Status Indicators



Solid Green

- Ready & connected



Solid Red:

- Clean / empty paused
- Top cover / waste bin not in place



Solid Blue

- Cat / weight detected
- Adding litter

Flashing Green

- Setting up Wi-Fi



Flashing Red

- Motor stall



Solid Purple

- UV sterilization (10min via app) in process



Off

Do Not Disturb (DND)

/ Sleep mode / power off

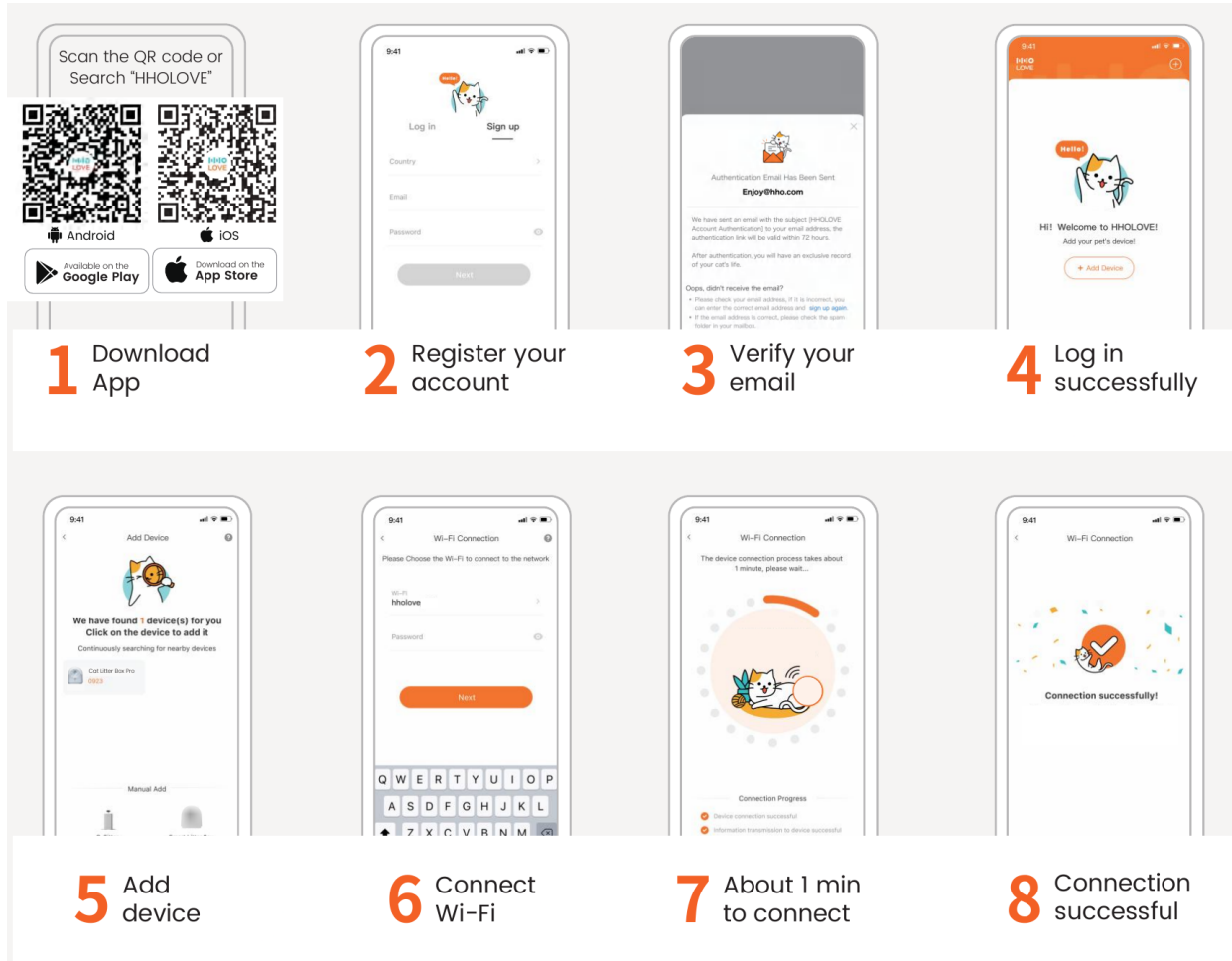


2.4GHz

- Make sure that your smart device is connected to a secure 2.4GHz network and Bluetooth is enabled. Allow access to your Location during connection. Make sure that the drum is at the Home position before connecting.
- You can use the litterbox with control button only or download APP for more customizable options.

- The litterbox can only be linked to one account. You can hold the button for 10s to pair it with another device, or share with your family members on APP.
- For connection failure refer to the Troubleshooting section of the User Manual.

App Introduction



Scan the QR code or Search "HHOLOVE"

Available on the **Google Play** and **App Store**

- 1** Download App
- 2** Register your account
- 3** Verify your email
- 4** Log in successfully
- 5** Add device
- 6** Connect Wi-Fi
- 7** About 1 min to connect
- 8** Connection successful



Join HHOLove community to get the latest product information and giveaway treats.



Instagram



YouTube



Twitter



Facebook



RoHS



XXXXXXXXXXXXXXXXXX



For FAQ and more help,

please visit: <https://www.hholove.com/support>



Email Contact:

service@hholove.com



©HHO Limited, all rights reserved. HHOLove and its logo are trademarks of HHO Limited, registered in the US, EU and other countries.

Made by HHO

Made in China

Address: UNIT 3A-8,12/F KAISER CTR NO18 CENTRE ST,SAI YING PUN,HK

[Manualsum](#)