

[icam365 4G Solar Camera User Manual](#)

[Manualsum](#), simplified manuals

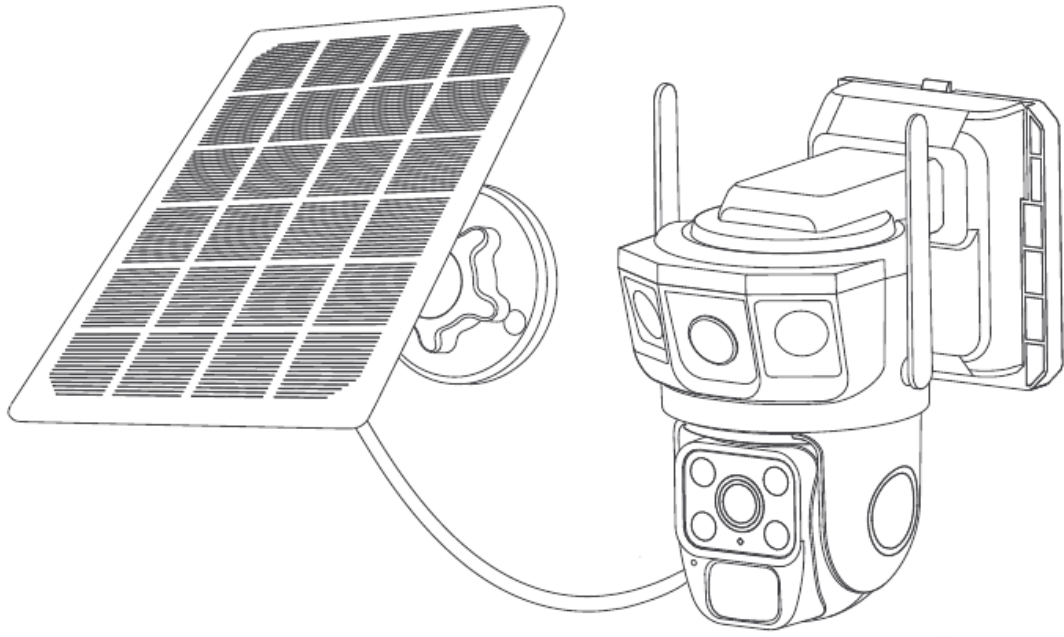
Table of Contents

- [icam365 4G Solar Camera User Manual](#)
 - [Packing List](#)
 - [Product Overview](#)
 - [Installation of the camera](#)
 - [Select height and position](#)
 - [Installation instruction of solar panel](#)
 - [Tips for the installation of solar panel](#)
 - [Tips for installing solar panels](#)
 - [Download and Login](#)
 - [Scan the code to download](#)
 - [App market download](#)
 - [Register Login](#)
 - [Add Device](#)
 - [App Functionality Description / Home](#)
 - [App Functionality Description / Live](#)
 - [App Functionality Description / Videorecord](#)
 - [App Functionality Description / Warning message](#)
 - [Product specifications and descriptions](#)
 - [Indicator light status](#)
 - [Product specification](#)
 - [Common problems](#)

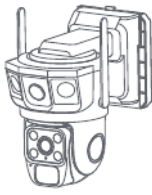
icam365 4G Solar Camera User Manual

icam365 4G Solar Camera User Manual

FCC id: [2BCBR-AJ-SQ20-4G](#)



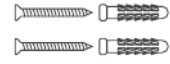
Packing List



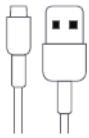
Camera



Solar panel



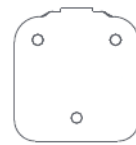
Screws



Type C Charging Cable



User manual

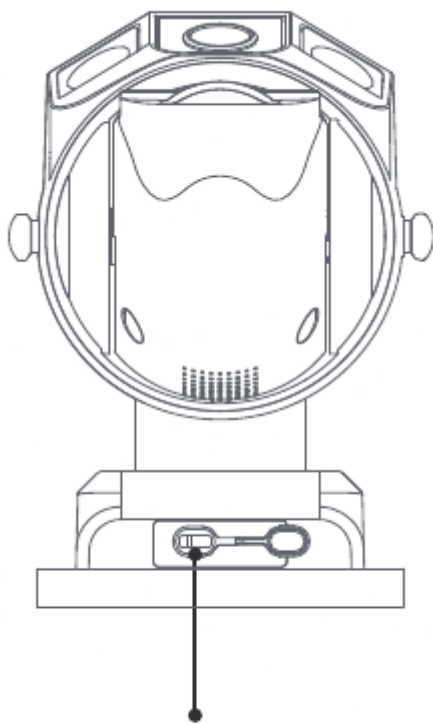
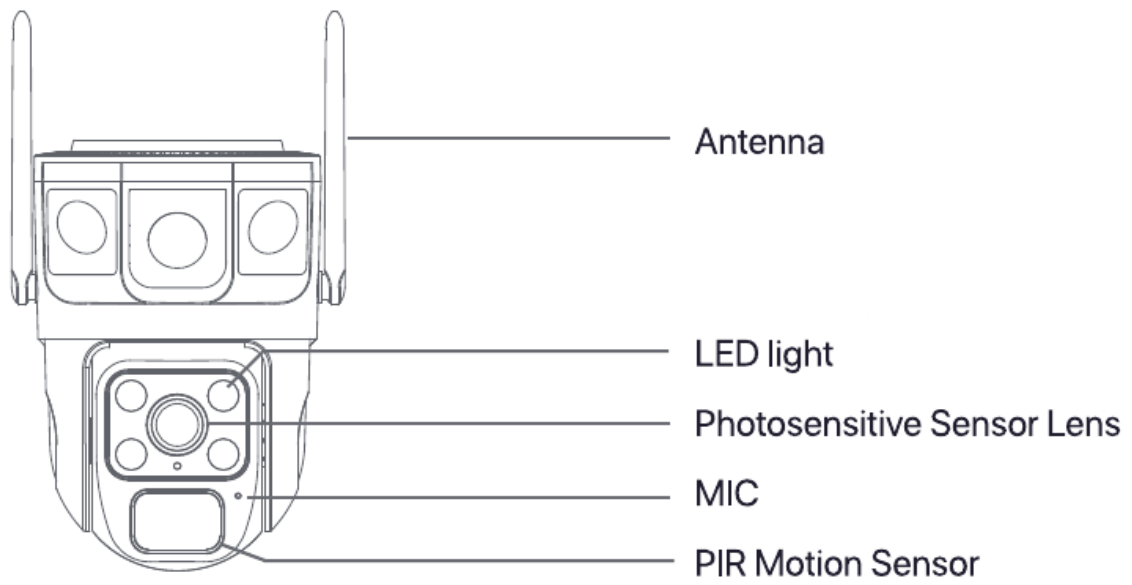


Sticker

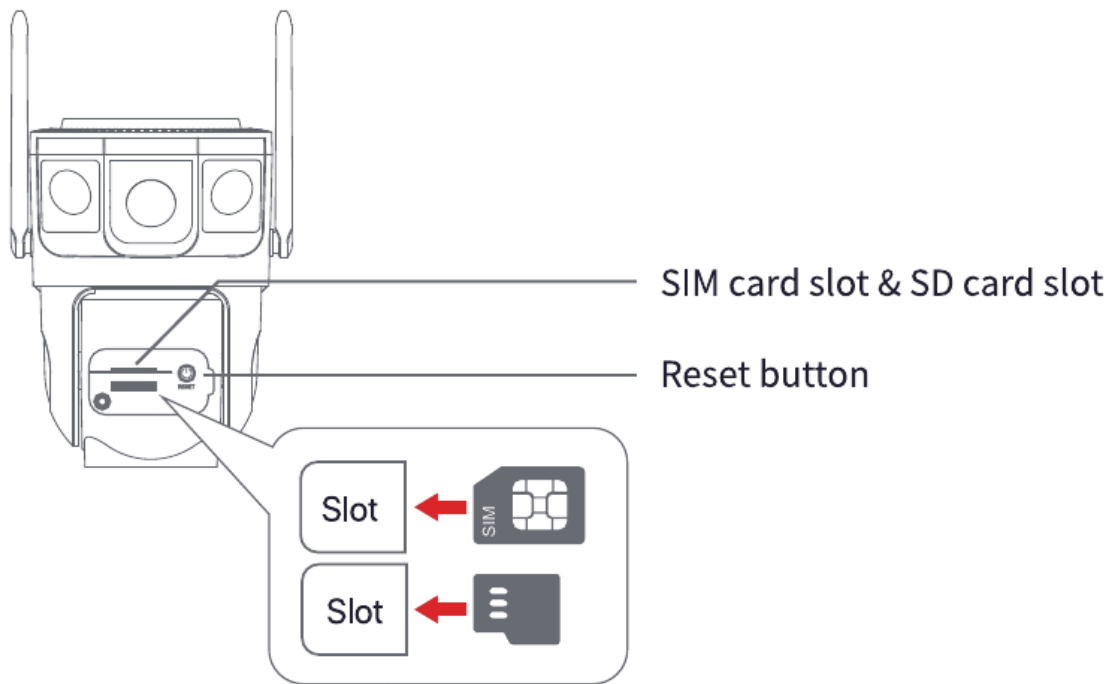


SIM Card

Product Overview



Power switch



NOTE: Insert the Micro SD card in the direction shown. If inserted incorrectly, the Micro SD card may jam and the device may be damaged.

SD Card Interface: Supports micro SD cards for local storage (up to 128GB).

SIM Card Interface: Insert the SIM card into the card slot so that the camera can connect to a 4G network. Connect to 4G Internet.

Reset Button: Used to restore the camera to factory settings (press and hold for 5-8s).

Card Capacity Requirements: 8-128GB.

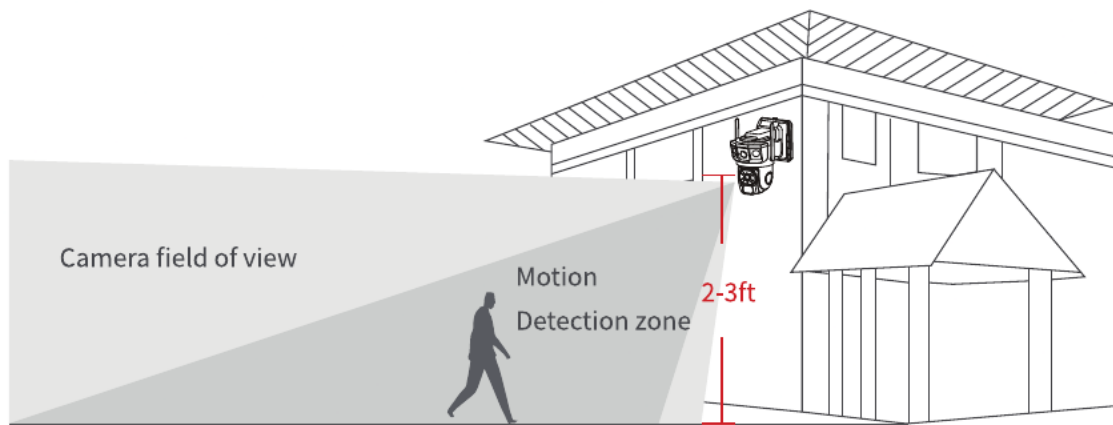
Read and write speed requirements: Class10 level.

File format: FAT32 FAT32.

Installation of the camera

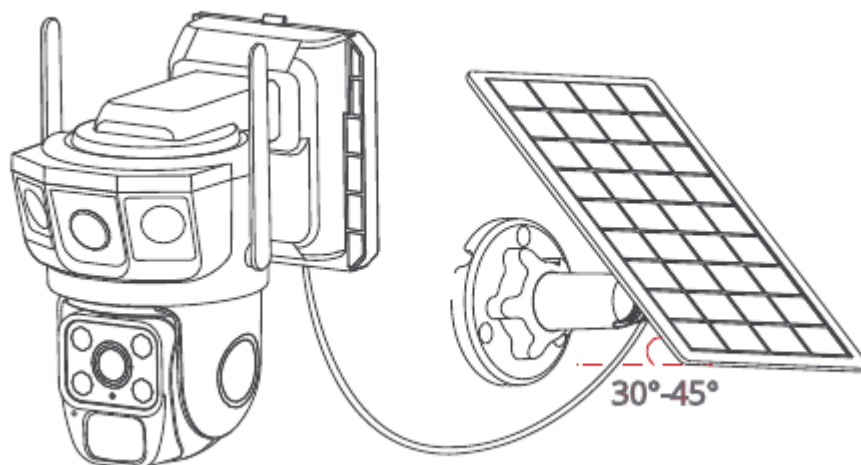
Select height and position

Hang the camera at a height of 7-10 feet (2-3 meters) above the ground. This height maximizes the range of the camera's motion sensor. Avoid placing the camera. Avoid placing the camera in direct sunlight.



Installation instruction of solar panel

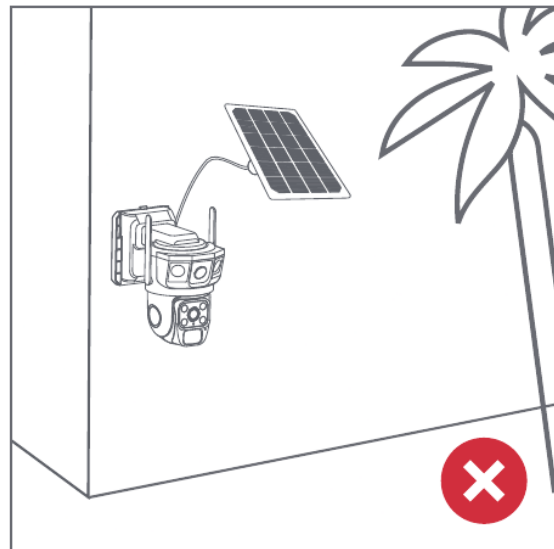
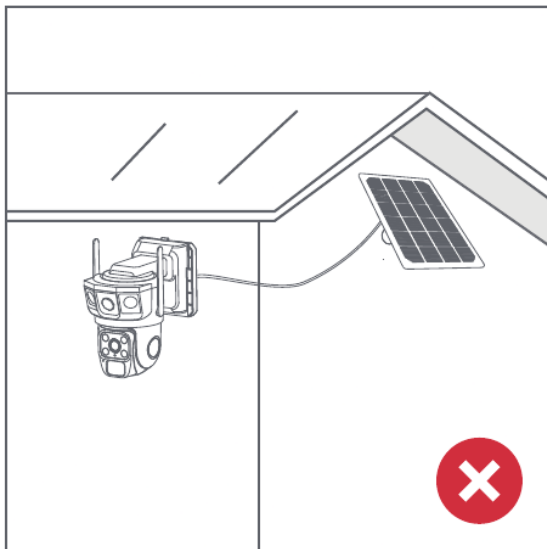
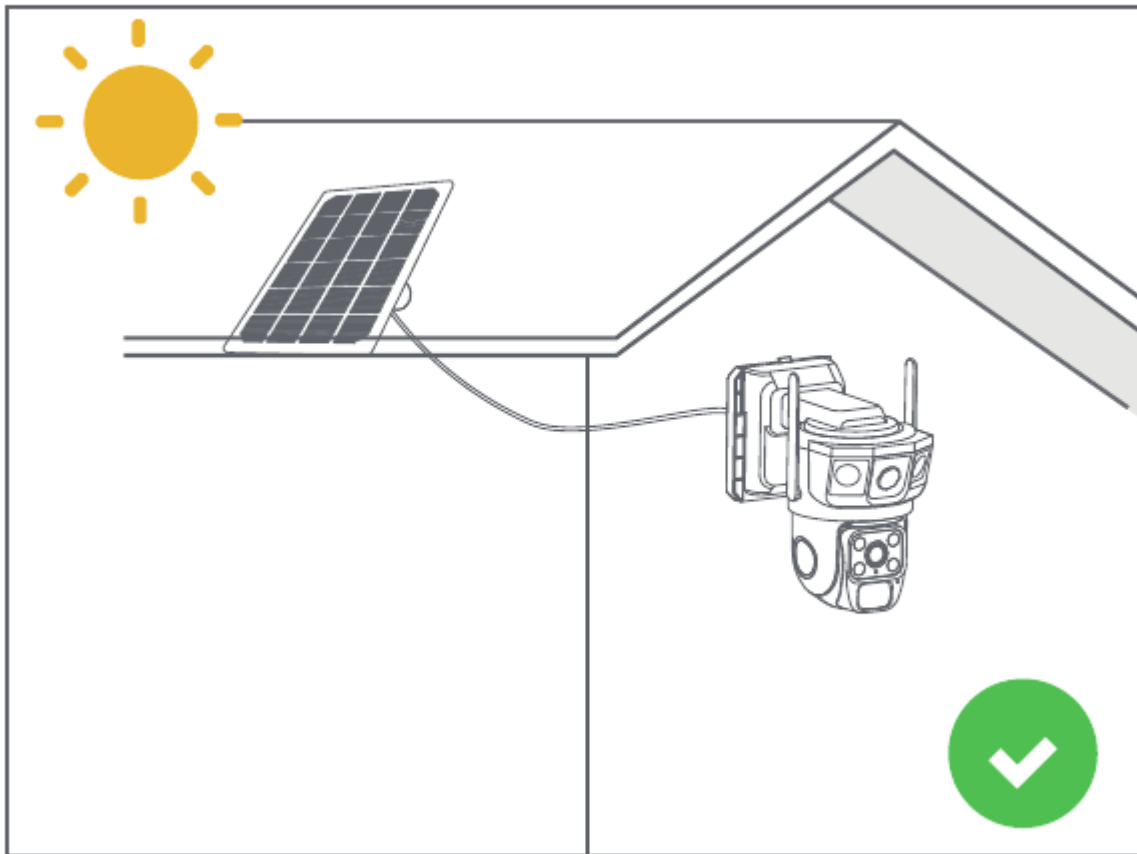
1. Keep the installation angle of solar panels about 30° - 45° with the horizontal plane, as shown in the picture below.
2. The installation between the solar panel and the camera is shown in the following figure.



Tips for the installation of solar panel

Tips for installing solar panels

1. When installing in the northern hemisphere, face the panel to the south, and when installing in the southern hemisphere, face the panel to the north.
2. Take care to install the solar panel so that the sun is not blocked by any items such as eaves, trees branches, etc.



Download and Login

Download the App before establishing a connection with the device.

Scan the code to download

Scan QR code to download iCam 365 "App

[Manualsum](#)

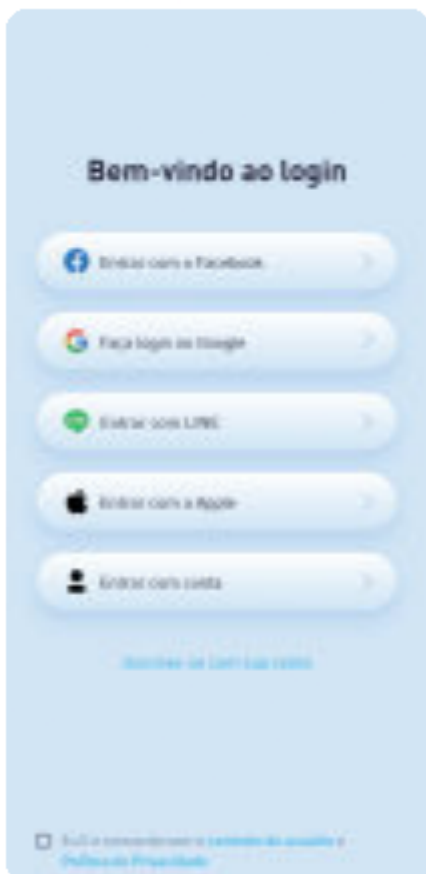


App market download

Search for “icam365” in the Apple Store or Google Play and download it!

Register Login

Open the icam365 app and use third-party shortcuts to log in or register an account



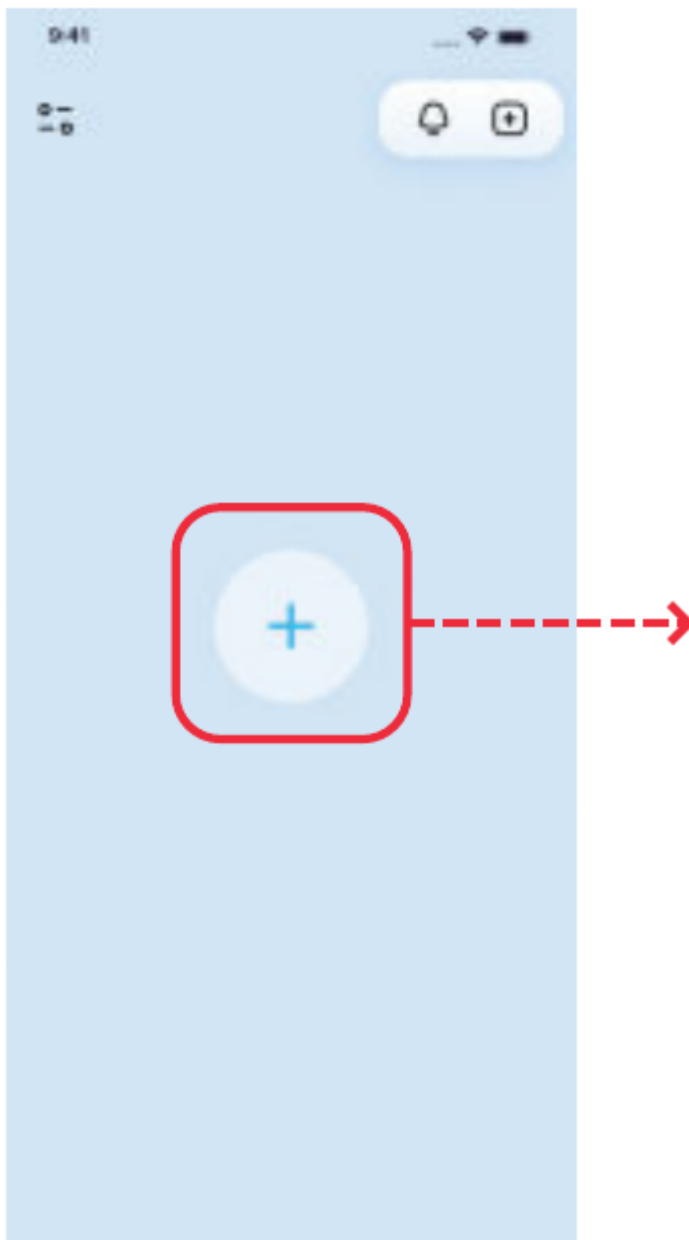
App will be continuously updated, UI is based on the app

Add Device

When adding a device, check that the device is powered up

- **Step 1**

Click the Add button



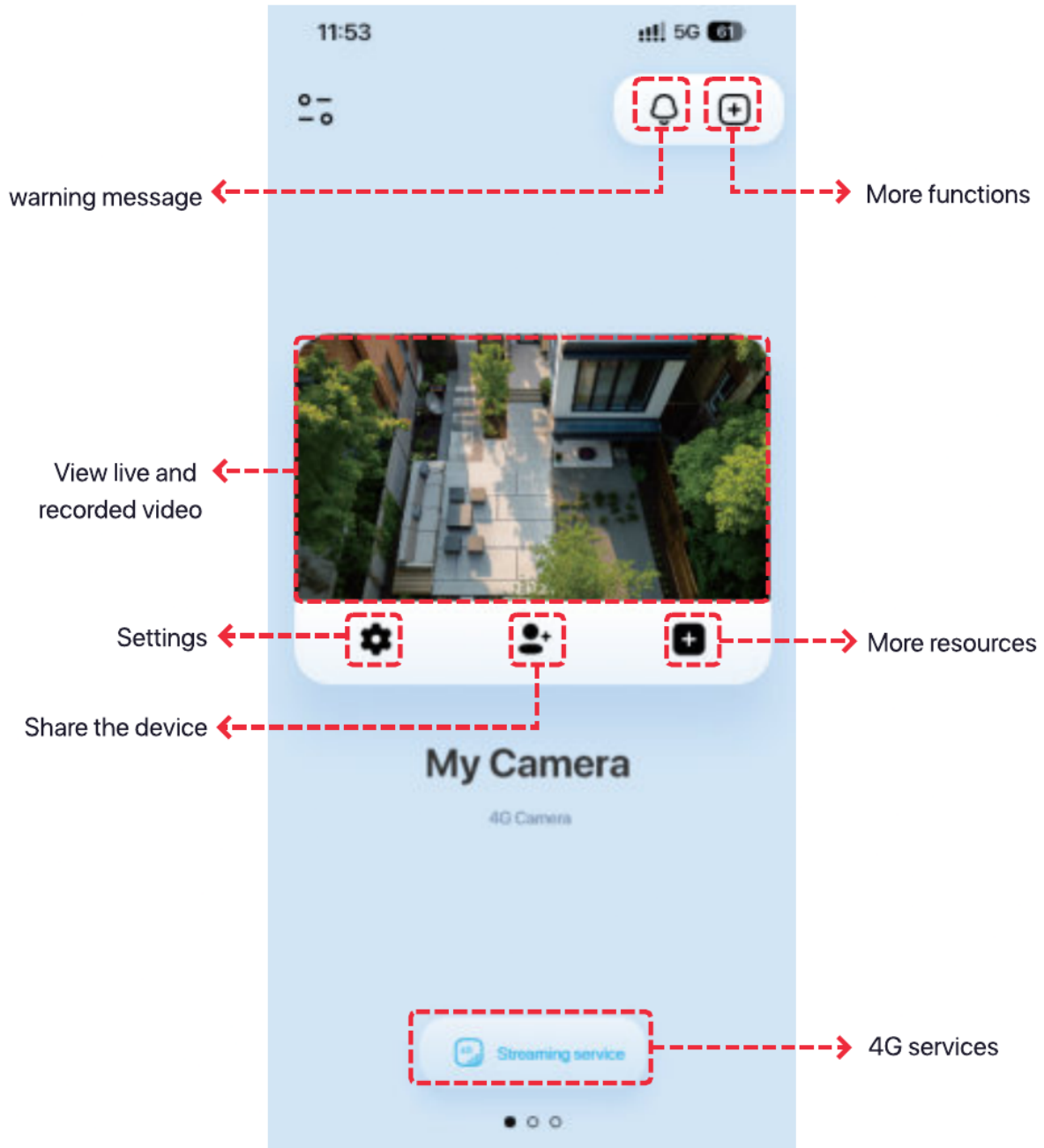
- **Step 2**

Scan the QR code on the machine



App Functionality Description / Home

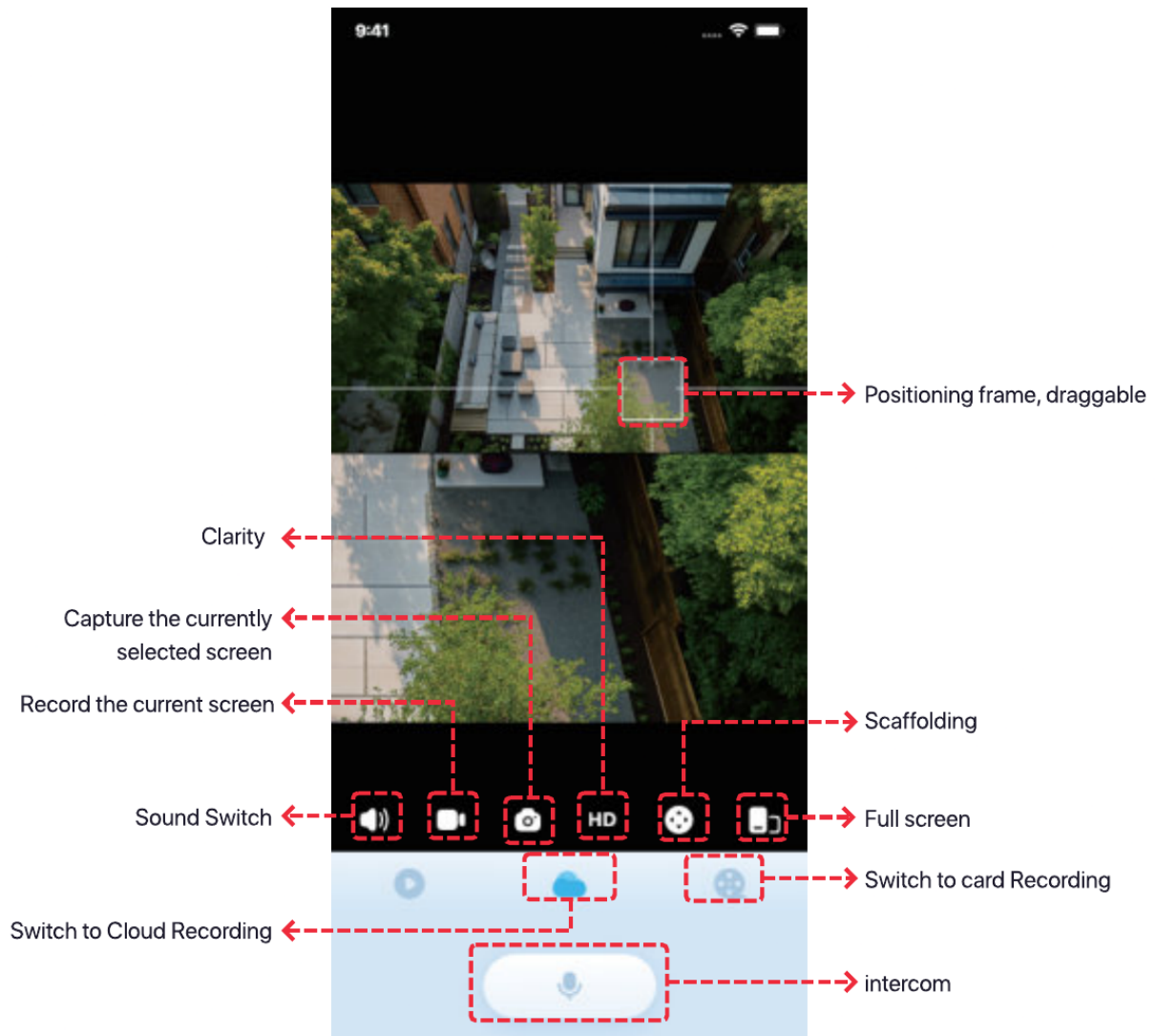
Each device has different function, for reference only



The application will be updated continuously, the interface is based on the app

App Functionality Description / Live

JAN Each device has a different function, for reference only



The application will be updated continuously, the interface is based on the app

App Functionality Description / Videorecord

FAN Each device has a different function, for reference only



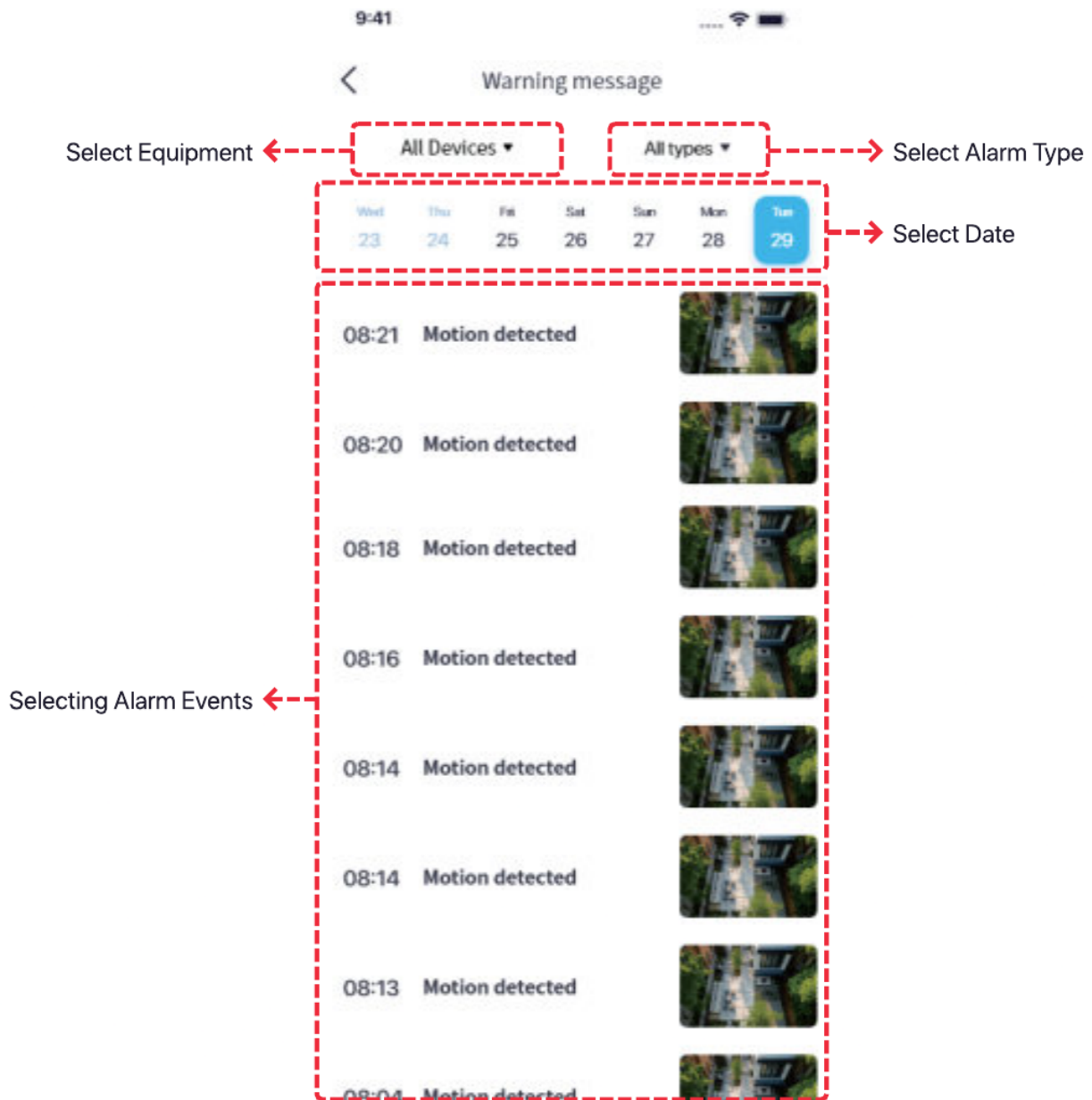
Toggle screen

Select Date

Event
Click to quickly locate

Slide to select time

App Functionality Description / Warning message



Product specifications and descriptions

Indicator light status

Mode	Status
Work Mode	Blue
Sleep Mode	Red
Charging Mode	Red
FII Charged Mode	Off

Product specification

Item	Specification
Camera lens	Field of view: 90°
Image resolution	Max. 1920×1080
Storage media	Micro SD card (Up to 128GB)
Rotation Angle	355° pan, 90° tilt
Battery Capacity	8000mAh
Adapter Requirement	5V/1.5A

Common problems

If the following methods do not solve your problem, please contact the purchaser or the online service in the app for further assistance.

Problems	Solution
Camera won't turn on	<p>It is possible that the camera battery has been drained. Please fully charge the camera using the 5V power adapter, and then switch on again the</p> <ol style="list-style-type: none">1. Please check if the 4G network signal around the camera is good and avoid signal interference in the neighbourhood;2. check whether the camera battery is fully charged. Please try to charge it before switching on the camera;3. Check whether the traffic package of the camera SIM card has expired. Please contact the after-sales service through the APP "Help & Feedback" for assistance.
Camera offline?	<ol style="list-style-type: none">1. Improve the motion detection sensitivity of the camera;2. Install the camera correctly to prevent intruders from walking vertically towards the camera. (Please refer to "Installing the camera" in the manual for the solution.)3. If you need to detect vehicles or animals, please disable the "People Filter" function.
Alarm not detected?	
Can I connect to WiFi?	Wi-Fi is not supported, only 4G network is supported
What is the amount of 4G data consumed per month?	The amount of traffic consumed by the camera depends on the resolution you have selected for viewing. The higher the resolution, the more traffic is consumed. The longer the preview video and video playback time, the more traffic is consumed.

more data is consumed. The more times the PIR sensor is triggered, the more traffic is digested. The camera consumes about 2-8GB of cellular data per month.