

# **AGM MOBILE AGM PAD T1 User Manual**

## **Manualsum, simplified manuals**

### Table of Contents

- [AGM MOBILE AGM PAD T1 User Manual](#)
  - [NOTICE](#)
  - [DESCRIPTION DES FONCTIONS AGM PAD T1](#)
  - [GETTING STARTED](#)
    - [Installing the SIM and Micro SD card:](#)
    - [Standby time:](#)
    - [Charging the PAD:](#)
    - [Tips:](#)
  - [Quick Start Guide](#)
    - [Powering On the Device:](#)
    - [Unlocking the Device:](#)
    - [Taking Screenshots:](#)
    - [Quick Access Menu:](#)
    - [Desktop Settings:](#)
    - [Display Settings:](#)
    - [Sound and Vibration Settings:](#)
    - [Other Settings:](#)
  - [WARNING](#)
  - [DISPOSAL AND RECYCLING INFORMATION](#)
  - [COMPLIANCE](#)
  - [Basic information of manufacturer](#)

# **AGM MOBILE AGM PAD T1 User Manual**

AGM MOBILE AGM PAD T1 User Manual

[2A3DR-AGMPADT1](#)

[Manualsum](#)

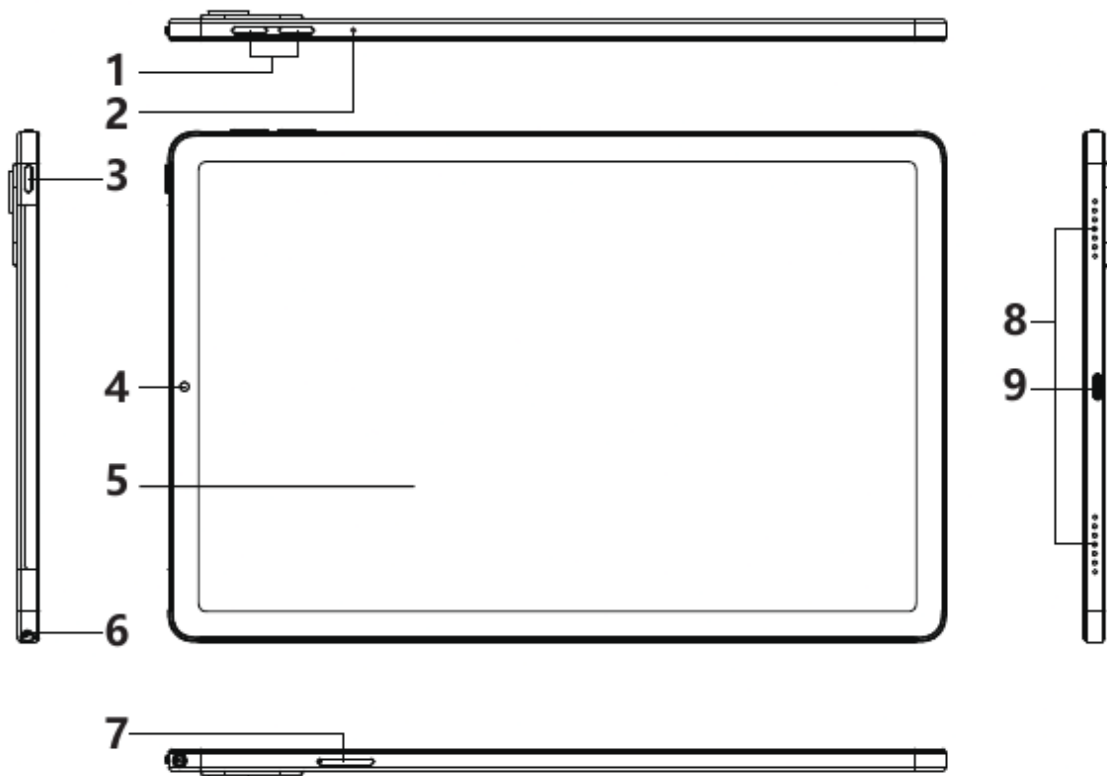


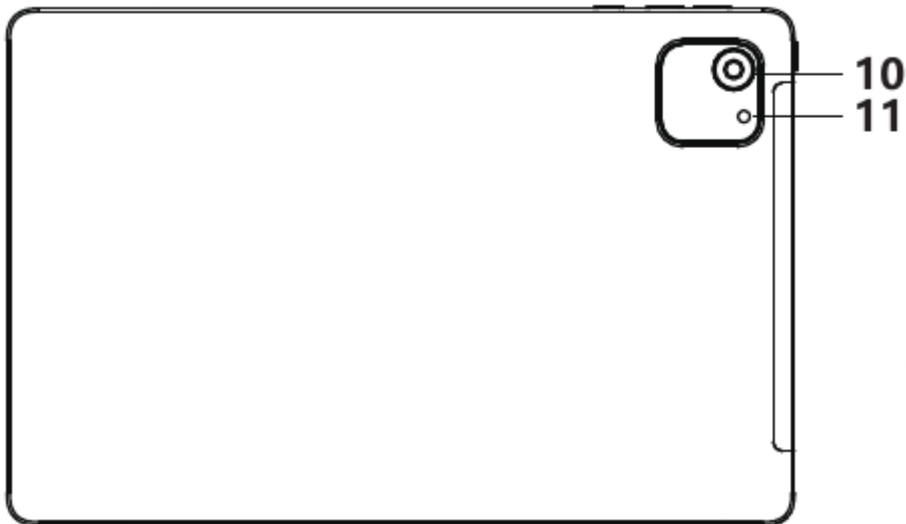
**AGM  
MOBILE**

## **NOTICE**

Features of the product and its accessories described here in rely on the software, phone internal memory and local networks, and may not be activated or may be limited by local network operators or service providers. Therefore, the descriptions herein may not exactly match the purchased product or its accessories. The manufacturer reserves the rights to change or modify any information or specifications contained in this manual without prior notice or obligation. The manufacturer is not responsible for the legitimacy or quality of any products that you may upload or download through this device including but not limited to text, images, music, movies, and non-integral software. Any consequences arising from the usage of the preceding products on this device is the responsibility of the user.

## **DESCRIPTION DES FONCTIONS AGM PAD T1**





### **1>Volume Key**

Press to increase/decrease the phone volume.

Press to mute the phone during an incoming call.

### **2>Main Microphone**

For talking and voice recording.

Do not touch with hard pin.

### **3>Power Key**

Long press power key to power pad on/off.

Short press power key to lock/unlock the screen.

### **4>Front Camera(5MP)**

Takes front facing photos

### **5>Display**

10.95" nches FHD

### **6>3.5mm Headphone Jack**

### **7>SD Tray**

Supports Micro SD card.

### **8>LOUDSPEAKER**

### **9>USB Type-C port**

### **10>Main Camera(13MP)**

Takes photos and videos.

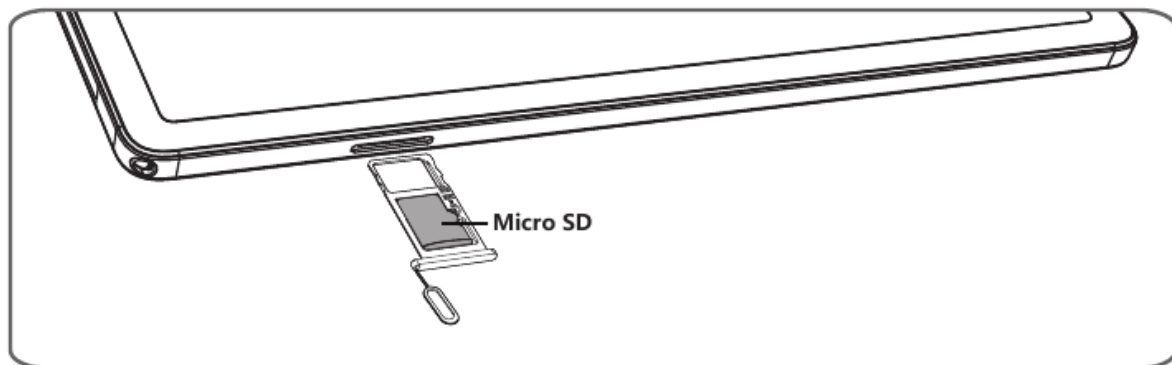
## 11>LED

LED flash light.

# GETTING STARTED

## Installing the SIM and Micro SD card:

1. Use metal ejector pin provided to open the SD tray.
2. Pull out the SD tray.
3. Place Micro SD in inside position.
4. Place Micro SD card in outside position.
5. Make sure that the Micro SD card the cut corner aligned with tray in the correct position as per the diagram shown above.



### NOTE:

- 5G WIFI is for indoor use only.
- Following functions are disabled in Equipment WIFI:

Nano-SIM.

**Note:** The Equipment battery is not removable

### Standby time:

1. The Equipment standby time is dependent on different working environments.
2. Equipment receiving a weak network signal and operating at low temperature will have a shortened standby time. Screen brightness, system settings, games, music, video, location services, camera, Bluetooth, Wi-Fi and applications consume the most battery power.

### Charging the PAD:

1. Connect the USB power cable to the port. Be careful not to use excessive force when plugging the cable. Any damage caused by [Manualsum](#)

attempting to insert the connector incorrectly is not covered by the warranty.

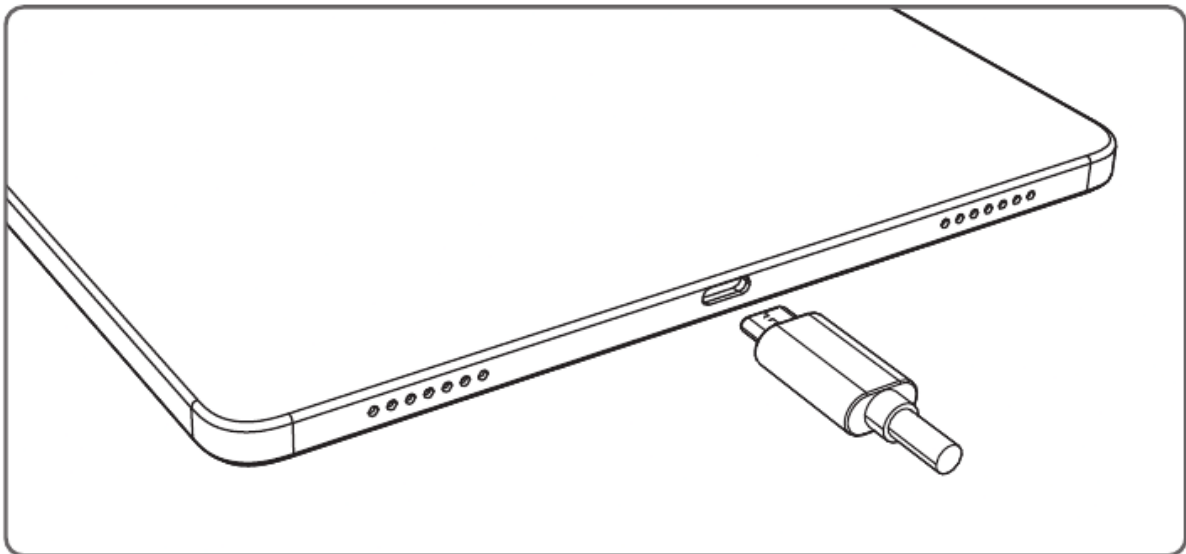
2. Connect the USB power cable to the charging power adapter.

- Equipment supports CE/CB/FCC/EAC or equivalent certified chargers.

The recommended charger output is PD 20.0 W. Uncertified equipment may cause damage to the device or cause batteries to explode.

3. Plug the charger into an AC mains socket.

4. When charging is complete, remove the cable from the device.



### **Tips:**

1. The optimum working temperature for the Equipment is from 0°C~40°C. Charging the PAD outside this temperature range will damage the battery and shorten battery life.

- Please do not charge the PAD under extremely low or high temperature, Please charge the phone under 5°C~40°C. Otherwise the battery will be damaged or exploded.

2. Please use the certified charger and cable to ensure maximum performance and safety.

3. Please note that the battery will still discharge itself even when the PAD is not in use and switched off. If you plan to not use the unit for an extended period, you should still charge it a least every two months to prevent complete power loss and to protect your data.

# Quick Start Guide

## Powering On the Device:

Press and hold the power button for 5 seconds, release the button after the device vibrates.

Your device will start, and you'll see the brand's startup screen.

## Unlocking the Device:

By default, press the power button to unlock the screen, and swipe up to unlock the device.

Users can also set different screen unlock methods according to their preferences, such as slide, pattern,

PIN code, fingerprint, password, etc.

## Taking Screenshots:

Simultaneously press the power button and the volume down button.

## Quick Access Menu:

Pull down from the status bar to open the notification panel. Users can select shortcut icons based on their needs to activate/deactivate quick functions.

Here, you can find quick functions like internet, Bluetooth, flashlight, alarm, airplane mode, power-saving mode, etc.

## Desktop Settings:

Long press on an empty space on the screen, choose wallpaper and style, widgets, and home screen settings.

Users can customize the device desktop according to their preferences. For example, dragging the "Clock" widget to an empty space on the desktop will display and allow its use.

## Display Settings:

Go to Settings > Display > Enter various menus to complete settings according to your needs.

Here, you can find functions like brightness, screen lock, display size, and font.

## Sound and Vibration Settings:

Go to Settings > Sound and Vibration > Enter various menus to complete settings according to your needs.

Here, you can find settings for alarm volume, do not disturb mode, device ringtone, etc.

## Other Settings:

Go to Settings > System > Enter various menus to complete settings according to your needs.

Here, you can find functions like language, navigation bar, system updates, date and time, etc.

- To change the system language and switch input methods, you need to enter the “Language” menu.

## WARNING



At full volume, extended use of the mobile audio player may damage the user's hearing.

## DISPOSAL AND RECYCLING INFORMATION



This symbol on the device (and any included batteries) indicates that they should not be disposed of as normal household garbage. Do not dispose of the device or batteries as unsorted municipal waste.

The device (and any batteries) should be handed over to a certified collection point for recycling or proper disposal at the end of their life.

## COMPLIANCE

This device complies with the essential requirements and other provisions contained in Directive 2014/53/EU.

# **Basic information of manufacturer**

Guangdong Aijiemo Electronic Industry Co., Ltd

Copyright AGM Mobile Limited 2024. All rights reserved.

**THIS DOCUMENT IS FOR INFORMATION PURPOSES ONLY, AND DOES NOT CONSTITUTE ANY KIND OF WARRANTY.**