

OneMore 2BDUX-WQ1 2+1 Magnetic Wireless Charger Stand User Manual

Manualsum, simplified manuals



Table of Contents

- [OneMore Magnetic Wireless Charger Stand User' s Manual](#)
 - [Product Specifications](#)
 - [Precautions](#)
 - [Product List](#)
 - [Product Instructions](#)
 - [Operating Instructions](#)

OneMore Magnetic Wireless Charger Stand User' s Manual

Product Specifications

Product Name: 2+1 Magnetic Wireless Charger Stand

Product Model : WQ1

Materials : PC plastic + stainless steel + liquid Silicone Rubber

Dimensions : L89 x W74 x H148.5mm (excluding packaging)

Weight : 285g

Country of Origin : China

Warranty : 12 months for non-human-made/- natural disasters

FCC ID : 2BDUX-WQ1

Phone : +886 905-400-200

Manufacturer : OneMore Co., Ltd

Address : No. 254, Ruibei Rd., Cianjhen Dist., Kaohsiung City 80647, Taiwan (R.O.C.)

Government Uniform Invoice number :50930640

USB-C1 Input : 5V-15V=3A (Recommended to use with a 12V=3A 36W charger or higher)

USB-C2 Output : 5V=1A (Max)

Compatibility : Connect the corresponding charging device to the side Type-C port to meet the charging needs of phones, headphones, and watches.

Total Output: 25W (Max)

Precautions

1. Do not disassemble or modify the product yourself.
2. Do not immerse in fire or water to avoid short circuits or electric shock.
3. Do not store the product in damp or corrosive environments.
4. Keep the product away from heat sources or charging near heat sources.
5. Do not allow water or other liquids to enter the product, causing damage.

- 6.Keep out of reach of children to avoid accidents.
- 7.The maximum ambient temperature for product use is 35°C. The optimal ambient temperature for use is 0 to 25°C.
- 8.Expected climate conditions for product use: This product is suitable for use in tropical climates.
- 9.Do not attempt to repair the product yourself unless otherwise specified in the manual.
- 10.Unplug the plug when not in use for a long time.
- 11.If the product encounters any problems, stop using it, disconnect the power, and contact customer service for assistance.

Product List

Allite WQ1 2+1 Magnetic Wireless Charging Stand x 1

Allite 1.5M Type-C to Type-C liquid Silicone Rubber PD Fast Charging Cable x 1

User Manual x 1

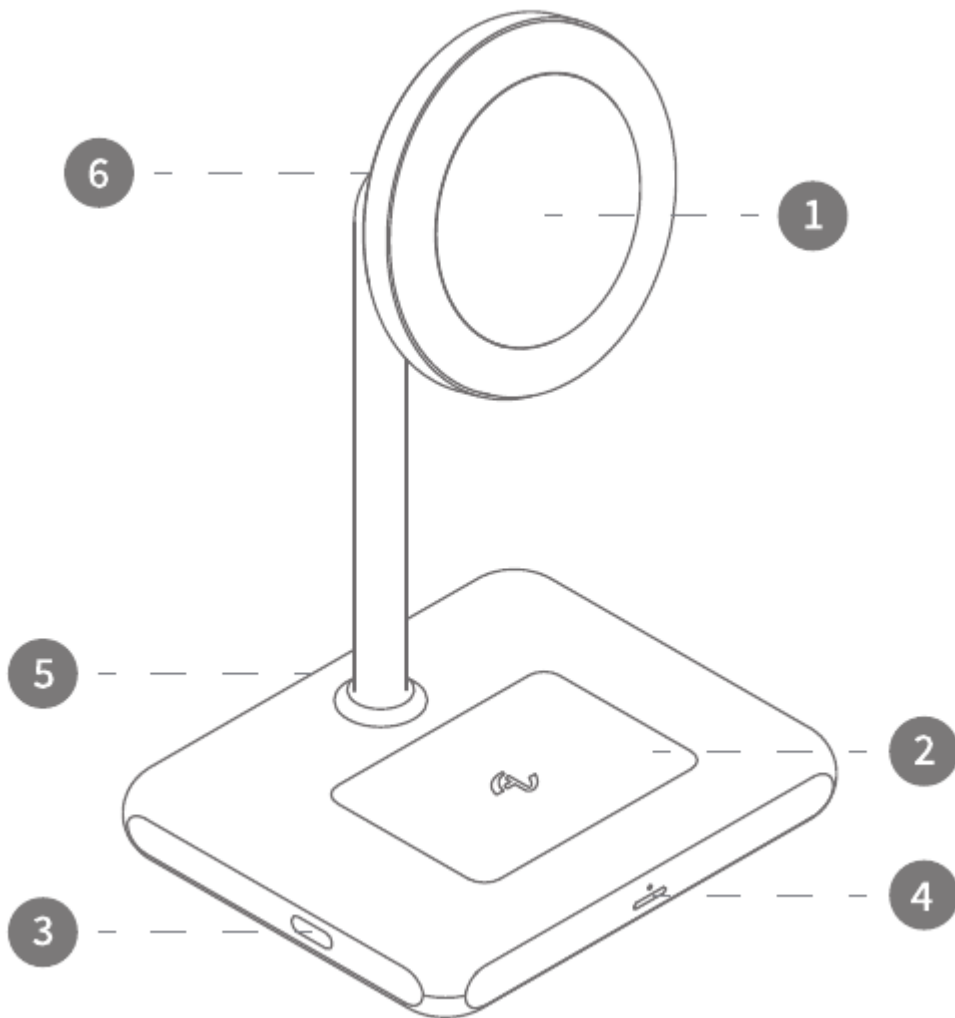
設備名稱：2+1 Magnetic Wireless Charger Stand		型號(型式)：WQ1 Type designation (Type)				
單元 unit	限用物質及其化學符號 Restricted substances and its chemical symbols					
	鉛 Lead (Pb)	汞 Mercury (Hg)	鎘 Cadmium (Cd)	六價鉻 Hexavalent chromium (Cr ^{VI})	多溴聯苯 Polybromi- nated biphenyls (Pbb)	多溴二苯醚 Polybromi- nated diphenyl ethers (PBDE)
塑膠外殼	○	○	○	○	○	○
USB 輸出埠	○	○	○	○	○	○
導線	○	○	○	○	○	○
電路板	—	○	○	○	○	○

Note 1: “Exceeding 0.1 wt %” and “exceeding 0.01 wt %” indicate that the percentage content of the restricted substance exceeds the reference percentage value of presence condition.

Note 2: “0” indicates that the percentage content of the restricted substance does not exceed the percentage of reference value of presence.

Note 3: The “=” indicates that the restricted substance corresponds to the exemption.

Product Instructions



1] Qi2 Wireless Charging Pad Compatible with iPhone 12 and above devices.

2] Wireless Charging Base Compatible with wireless charging AirPods and Android headphones.

3] Side Type-C Port Provides up to 5W wired charging for a third device.

4] Working Status Indicator Light - Circular This indicator is used to show the operation status of the wireless charging pad above.

When powered on, it emits a steady white light; during normal charging, it displays a regular breathing light; when foreign objects are detected, it flashes rapidly.

(5) Working Status Indicator Light-Long-shaped This indicator shows the operation status of the wireless charging base below. When powered on, it emits a steady white light; during normal charging, it displays a regular breathing light; when foreign objects are detected, it flashes rapidly.

6] Rear Type-C Port Insert one end of the included Allite 1.5M Type-C to Type-C liquid Silicone Rubber PD Fast Charging Cable into a 36W or higher charger, and the other end into the rear Type-C port to power the stand.

7] Diadjustable Angle Ball Head It can be vertically rotated up to 45 degrees to adapt to different screen angles. *Cannot be rotated horizontally.

Operating Instructions

1. Insert one end of the included Allite 1.5M Type-C to Type-C liquid Silicone Rubber PD Fast Charging Cable into a 36W or higher charger, and the other end into the rear Type-C port to power the stand. The working indicator light shows a steady white light.

2. Place the phone on the wireless charging pad above for magnetic wireless charging; place the headphones on the wireless charging base below for wireless charging; insert one end of the charging device into the side Type-C port and the other end into the device to be charged to provide power for the third device. The working indicator light shows a regular breathing light.

3. Once the device is fully charged, it can be removed. Disconnect the power when not in use for a long time.