

Onity Serene Wall Reader User Manual

Manualsum, simplified manuals

Table of Contents

- [Onity Serene Wall Reader User Manual](#)
 - [Product Overview](#)
 - [Features](#)
 - [General Product Specifications](#)
 - [Wall Reader Assembly Diagram](#)
 - [Using a Wall Reader](#)
 - [General Wall Reader Maintenance](#)
 - [Technical Support](#)
 - [Environmental Compliance](#)
 - [Certifications and Label](#)
 - [Regulatory Information](#)

Onity Serene Wall Reader User Manual

Onity Serene Wall Reader User Manual

([R32-10108350P1](#))



Product Overview

Onity Serene Wall readers are multipurpose access devices that trigger third-party devices which control perimeter doors, elevators, parking areas, gated entryways, etc. They are specifically designed for indoor or outdoor installations. Onity Wall Readers provide wireless access using Bluetooth low energy and through RFID cards.



Features

- Compatible with Onity locking systems and Onity Property Management System software (OnPortal™ front desk system)
- Online configuration supports audit trail for last 3,000 openings
- Serene wall readers support surface-mount or flush-mount installation
- Serene wall readers are ADA-compliant, utilizing an ADA-opening timer
- Serene wall reader utilizes card encryption as well as Bluetooth technology
- Specialized control electronics available to accommodate elevator use

General Product Specifications

Basic Specs

[Manualsum](#)

Operating Temperature

-30°C (-22°F) to 75°C (167°F)

Humidity

50°C (122°F) at 95% humidity

Operating Voltage

~12-24 VDC

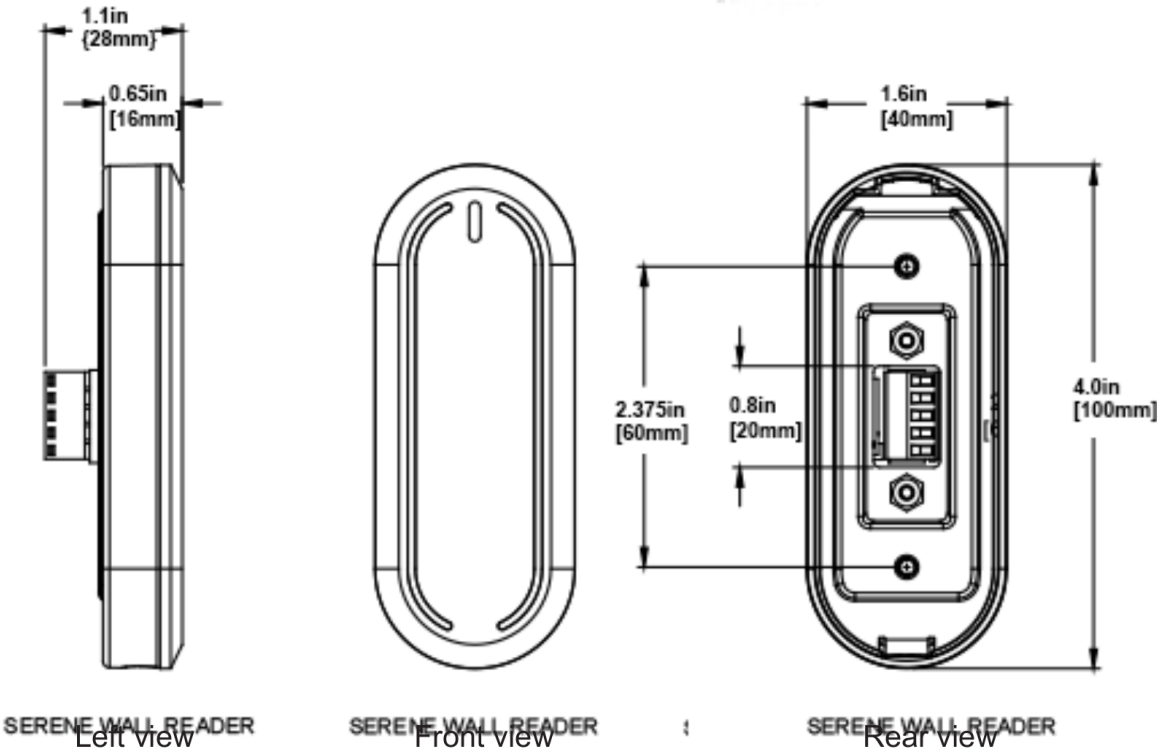
Operating Current

~1 A maximum current draw

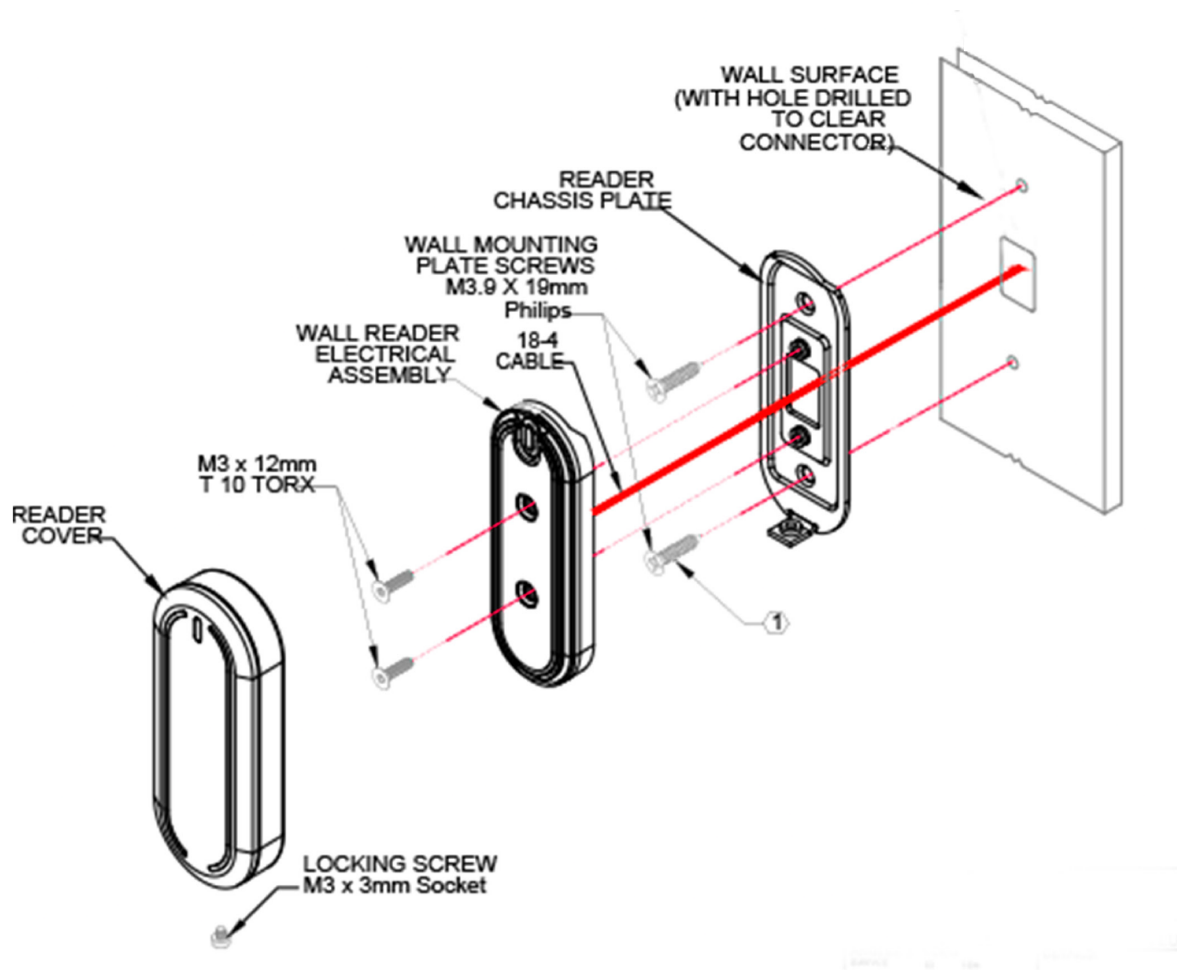
Dimensions

Height: 4 inches (102 mm), Width: 1.6 inches (40 mm), Depth: 1.1 inches (28 mm)

Serene Wall Reader Dimensions



Wall Reader Assembly Diagram



Using a Wall Reader

RFID Wall Reader

Step Action

- 1 Hold an RFID card in front of the wall reader read head
- 2 While holding card in this position, touch center of card (1 second) onto read head then remove card.
- 3 Verify action is complete when wall reader beeps and LEDs flash.

General Wall Reader Maintenance

Step Action

Caution Do not use harsh chemicals when cleaning the wall reader.

- 1 Visually inspect the reader face for damage and replace as required.
- 2 Using a clean cloth, wipe down the exterior and reader face.

Technical Support

For technical support, visit www.onity.com, call 1-800-248-6189 or contact your sales representative.

Environmental Compliance

Onity Serene wall readers adhere to environmental regulations established by the current European Union (EU) RoHS, WEEE, and REACH directives.

Onity Inc. declares that our products and packaging do not contain any of the SVHCs, identified by EHCA, in any concentration above 0.1%, and hereby certify that its products are in full compliance with all aspects of Commission Regulation (EU) 2017/999 of 13 June 2017 amending Annex XIV to Regulation (EC) No 1907/2006 of the European Parliament and of the Council concerning the Registration, Evaluation, Authorization and Restriction of Chemicals (REACH).

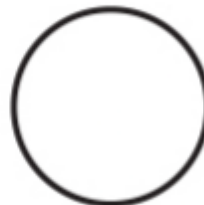
Certifications and Label

Certification

FCC & IC
Radio
Equipment
Directive
(2014/53/EU)



Regulatory Model Number (RMN): XXXXXXXXXXXX
Commercial Model Number (CMN): XXXXXXXXXXXX



Contains Radio:
FCC ID: R32-10103704P1
IC: 5058A-10103704P1

CMIIT ID: XXXXYZZZ

Label Example

4162000A000

MFG

190320

Regulatory Information

For regulatory identification purposes, the product is assigned a Regulatory Model Number (RMN). The RMN for Serene is listed below. Do not confuse this regulatory number with the marketing name or product part numbers.

**Regulatory
Model Number
(RMN)**

10108350P1

**Lock
Family
Name**

Serene

Description

Serene Wall Reader
with BTLE and RFID

**Commercial Model
Number (CMN)**

[Manualsum](#)

10108351P1 — Model
equipped with
Bluetooth & RFID