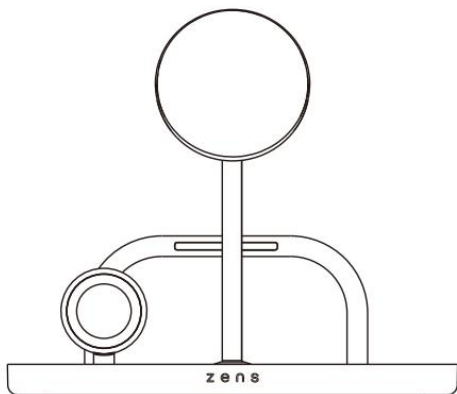


# z e n s



## 4-1 wireless charger

ZEDC29W& ZEDC29B

User manual | Gebrauchsanweisung | Manual de usuario | Manuel de l'utilisateur | Manuale d'uso |  
Gebruikershandleiding | instruções | instruktioner | 说明书 | 説明書 | تعليمات

Zens B.V., High Tech Campus 84, 5656 AG Eindhoven, The Netherlands



## CE-Declaration

Use the ZEDC29W/00&ZEDC29W/06 in the environment with the temperature between -10°C and 40°C, otherwise, it may damage your ZEDC29W/00&ZEDC29W/06. It can be operated under 2.000m.

Hereby, Zens International B.V., declare that the radio equipment type ZEDC29W/00&ZEDC29W/06 is compliance with Directive 2014/53/EU and RoHS Directive 2011/65/EU. The full text of the EU declaration of conformity is available at the following internet address: <https://zens.tech/mediaroom/>.

The product can only use below adapter:

Manufacturer: Shenzhen Guijin Technology Co., Ltd.

Model Name: GJ60WD-2400270DP

Rated Input & Output: AC100V-240V, 50/60Hz, 1500mA, DC24.0V, 2700mA

The plug can be disconnected from the adapter.

## IC-Declaration

This device contains licence-exempt transmitter(s)/receiver(s) that comply with Innovation, Science and Economic Development Canada's licence-exempt RSS(s). Operation is subject to the following two conditions:

(1) This device may not cause interference.

(2) This device must accept any interference, including interference that may cause undesired operation of the device.

L'émetteur/récepteur exempt de licence contenu dans le présent appareil est conforme aux CNR d'Innovation, Sciences et Développement économique Canada applicables aux appareils radio exempts de licence. L'exploitation est autorisée aux deux conditions suivantes :

(1) L'appareil ne doit pas produire de brouillage;

(2) L'appareil doit accepter tout brouillage radioélectrique subi, même si le brouillage est susceptible d'en compromettre le fonctionnement.

Radio Frequency Exposure Statement for IC

This equipment complies with IC exposure limits set forth for an uncontrolled environment. This equipment shall be installed and operated with minimum distance 20cm between the radiator & body.

Cet équipement est conforme aux limites d'exposition IC définies pour un environnement non contrôlé. Cet équipement doit être installé et utilisé avec une distance minimale de 20cm entre le radiateur et la carrosserie.

## FCC statement

DECLARATION OF CONFORMITY WITH FCC RULES FOR ELECTROMAGNETIC COMPATIBILITY

Hereby, Zens International B.V. declares that the device, ZEDC29W/00&ZEDC29W/06 complies with Part 15 Subpart B of the FCC Rules.

Any changes or modifications to this unit not expressly approved by the party responsible for compliance could void the user's authority to operate the equipment. This device complies with Part 15 Subpart B of the FCC Rules. is subject to the following two conditions: (1) This device may not cause harmful interference, and (2) this device must accept any interference received, including interference that may cause undesired operation.

**NOTE:** This equipment has been tested and found to comply with the limits for a Class B digital device, pursuant to part 15 of the FCC Rules. These limits are designed to provide reasonable protection against harmful interference in a residential installation. This equipment generates uses and can radiate radio frequency energy and, if not installed and used in accordance with the instructions, may cause harmful interference to radio communications. However, there is no guarantee that interference will not occur in a particular installation. If this equipment does cause harmful interference to radio or television reception, which can be determined by turning the equipment off and on, the user is encouraged to try to correct the interference by one or more of the following measures:

- Reorient or relocate the receiving antenna.

- Increase the separation between the equipment and receiver.
  - Connect the equipment into an outlet on a circuit different from that to which the receiver is connected.
  - Consult the dealer or an experienced radio/TV technician for help
- Changes or modifications not expressly approved by the party responsible for compliance could void the user's authority to operate the equipment.

RF Exposure Warning Statements:

This equipment complies with FCC radiation exposure limits set forth for an uncontrolled environment. This equipment shall be installed and operated with minimum distance 20cm between the radiator & body

**Operating Frequency Range:**

**Radio Frequency:**

**Max. RF power transmitted:**

## Waste Electrical and Electronic Equipment Directive

Waste Electrical products should not be disposed of with household waste. All electronic products with the WEEE logo must be collected and sent to approved operators for safe disposal or recycling. Please recycle where facilities exist. Many electrical/electronic equipment retailers facilitate 'Distributor-take-back scheme' of household WEEE. Check with your local authority or retailers for Designated Collection Facilities (DCF) where consumers may dispose of their WEEE free of charge.

## In the packaging

- 4-1 Wireless charger
- 65W Power Adapter including power cord
- 30 cm braided USB-C to USB-C cable
- Adapter plugs: type A (US), type C (EU), type G (UK) & Type I (ANZ)
- Silicon pads 2x
- User manual
- Extended warranty registration card

## Meaning of the LED light

The LED light on the back of the charger indicates the following:

- Off: no charging
- On: charging device(s)\*
- Blinking: no charging / non-Qi device detected

\*Please note that the LED light will turned on when a device (e.g AirPods) is placed on the charger to charging. A blinking light may indicate that one of the safety features is activated, such as Foreign Object Detection (FOD). FOD is an embedded safety mechanism that automatically stops charging if there is interference caused by a foreign object such as metal (e.g. coins, paperclips, bankcards). In this case, please remove any of these objects before charging.

## Compatibility

The Qi2 holder works with all devices supporting MagSafe or Qi2. The wireless charging pad on the right works with any device that supports Qi wireless charging(Unless there is not enough space to placed the device). The integrated USB-C port is compatible with all devices up to 60W. (f.e. iPad, MacBook Air),When wireless charging and USB-C port work simultaneously, the maximum output power of USB-C port drops to 18W.

## Use of the product

The 65W power adapter comes with four separate adapter plugs for type A (US), type C (EU), type G (UK) & Type I (ANZ). Adjust the power adapter by adding the applicable pin to the original power adapter before connecting it to a power outlet.

- 1.Connect the adapter DC connector to the product first, and then connect it to the AC power supply.
2. Put the Qi 2-supporting device into the Qi2 holder for charging
3. Put the Qi-supporting device into The wireless charging pad on the right
- 4.Put the Apple watch device into the watch charger for charging

5. Connect the PD supporting device into USB-C port for charging

### **Questions or feedback? Let us know.**

If you have any questions or feedback about the use of the charger, wireless charging or Zens, please look at [www.zens.tech](http://www.zens.tech) or contact Zens customer support via [support@zens.tech](mailto:support@zens.tech).

## **Zens Wireless Charging**

### **Important safety notices**

- Keep the product away from water.
- Do not place or store the product near water or any other liquid.
- After cleaning, make sure the product is completely dry before you connect it to an electrical socket

### **Warning notifications**

- Check if the voltage indicated on the power adaptor or power plug corresponds to the local voltage before you connect the adapter to a power outlet.
- Never use the charger, power adapter, power plug or USB cable if any of them is damaged in any way.
- Only use the official power adapter, power plug or USB cable (supplied together with the charger). When an unofficial power adapter is used or an incorrect voltage is used for the charger, the light will blink rapidly and no charging will occur.
- Do not place any metallic labels or any objects onto the charger.
- Do not use the charger outdoors or near heated surfaces.
- If you have a pacemaker or other implanted device, consult your doctor or the manufacturer of the implanted device before using the charger.
- Do not use with an extension cord or overload electrical outlets.
- Supervision is needed when used by or near children, disabled persons or those with mental disabilities.

### **Return policy / Zens warranty**

All Zens products are designed and manufactured to meet the highest standards and deliver high-quality performance. In case you encounter any difficulties when using your product, we recommend that you first consult the user manual or the information in the *support* section of [www.zens.tech](http://www.zens.tech).

In the unlikely event of failure during the warranty period Zens will arrange for your product to be serviced.

### **Warranty terms**

The warranty begins on the date of purchase and expires after 24 months. If any defect due to faulty materials and/or workmanship occurs within the warranty period, Zens will arrange for service. Where a repair is not possible or is deemed uneconomical Zens may agree to replace the product. Replacement will be offered at Zens discretion, and the warranty will continue from the date of original purchase. The Zens warranty applies provided the product has been handled properly for its intended use and in accordance with the operating instructions.

The warranty does not cover for the loss consequent in nature, including but not limited to loss of data or loss of business. The Zens warranty does not apply if:

- The original proof of purchase (invoice) is missing.
- The purchase documents have been altered in any way or made illegible.
- The model- and/or serial number on the product has been altered, removed or made illegible.
- Repairs or product modifications and alterations have been carried out by unauthorized service organizations or persons.
- The product is being used for commercial purpose.
- The defect is caused by abuse or misuse of the product or by environmental conditions that are not in conformance with the recommended operations of the product.
- The unit has been damaged - including but not limited to damage by pets, lightning, abnormal voltage, water or fire, natural disaster or transport accident.

- The product is defective due to wear of parts, which can be considered as consumable parts by their nature
- The product does not function properly because it was not originally designed, manufactured, approved and/or authorized for the country where you use the product, which might occur in instances where the product has been purchased in another country other than that of its intended use.

This warranty gives you specific legal rights. As this might vary from country to country some of above might not apply to you. This warranty is only valid in the country where the product is purchased and is not transferable and does not extend to users other than the original purchaser.

#### **Service needed?**

In order to avoid unnecessary inconvenience, we advise you to read the user manual or consult the support section on [www.zens.tech](http://www.zens.tech) before contacting Zens. If service is required do not return the product without first contacting Zens. To get this product repaired or replaced, please contact Zens during the warranty period via <https://zens.tech/support/>.

If the problem appears to be based on a defect in workmanship or materials, Zens will provide a return form and instructions which authorizes to return the product. Zens is not responsible for lost or damaged product during shipment. All returns must include the original packaging and all items like product, power adapters and user manual. After examination of the problem the product will be repaired or replaced and sent back to the address indicated on the return form.