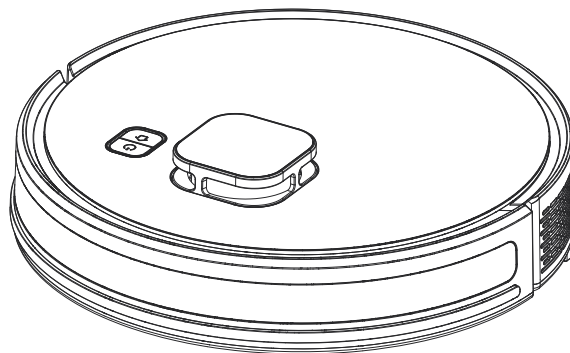


# Robot Vacuum Cleaner Instruction Manual

Before using this product, please carefully read this manual and keep it properly



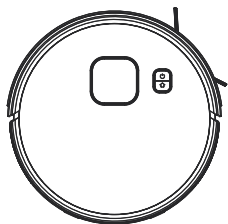
X7-D

# Contents

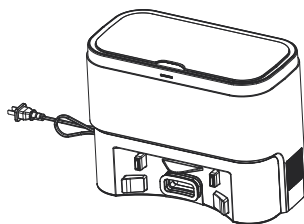
- About Robot Vacuum Cleaner ..... 01
- Installation ..... 05
- APP Connection ..... 09
- Use Instructions ..... 11
- Routine Maintenance ..... 15
- Basic Parameters ..... 18
- Common Problems ..... 19
- Troubleshooting ..... 20
- Safety Information ..... 21

# About Robot Vacuum Cleaner

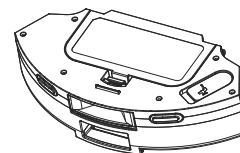
## What's in the box



Robot Vacuum Cleaner



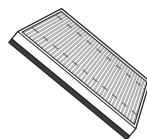
Dust collection station



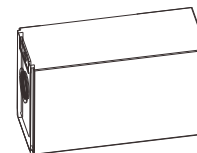
2 IN 1 dust box and water tank



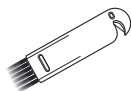
Side brush



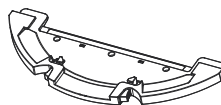
Filter



Dust bag



Cleaning brush



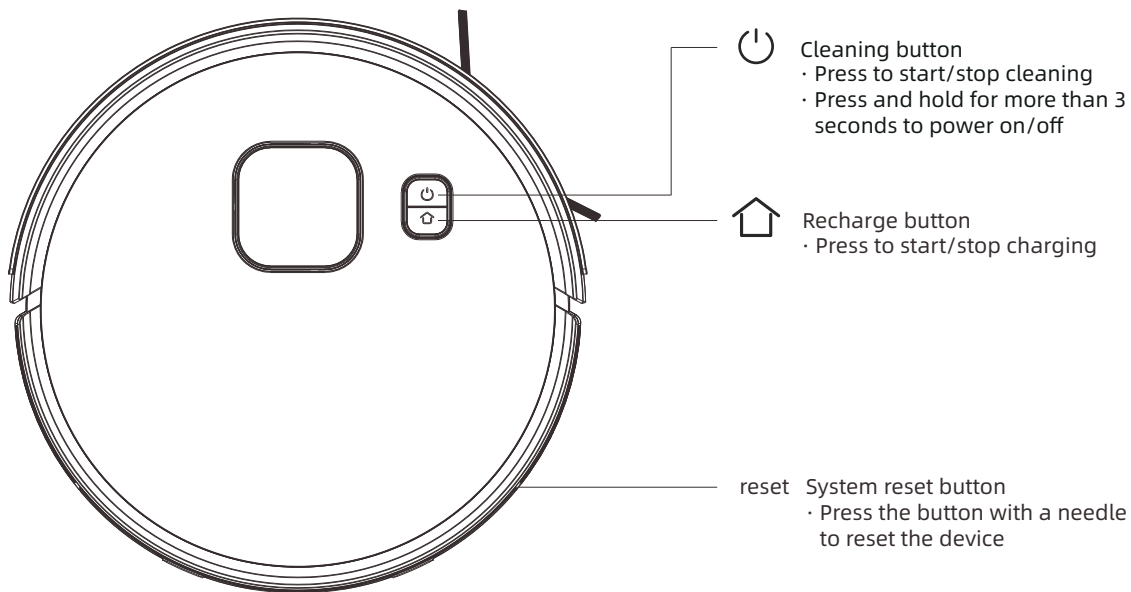
Mop holder



Mop

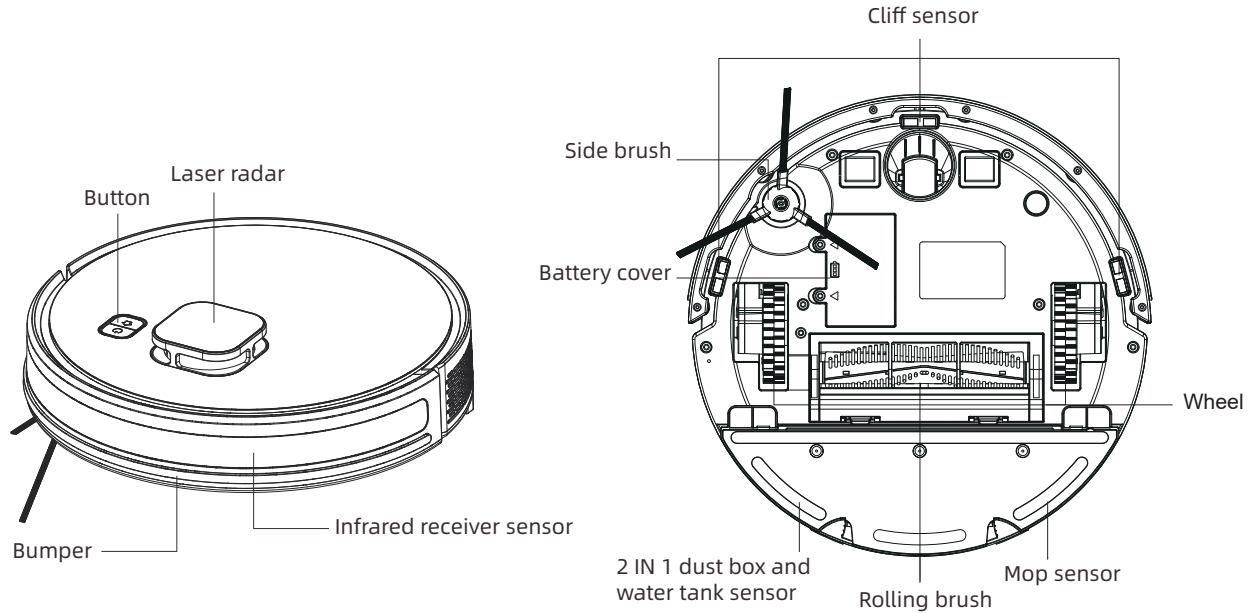
# About Robot Vacuum Cleaner

## Main unit



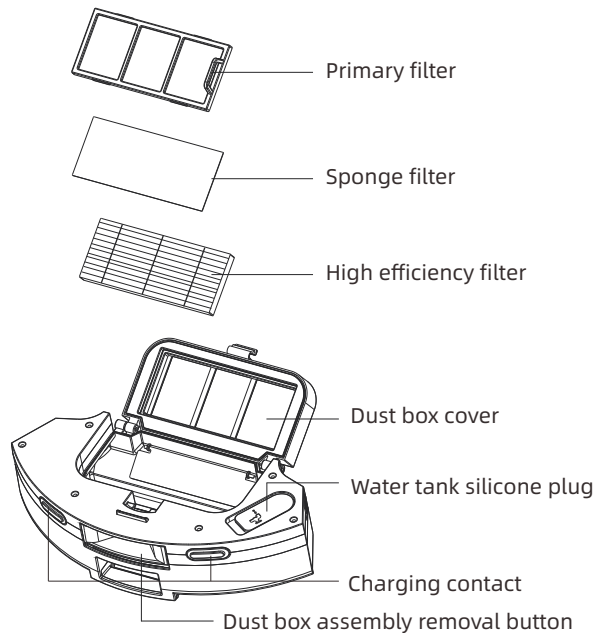
# About Robot Vacuum Cleaner

## Sensor and Structure

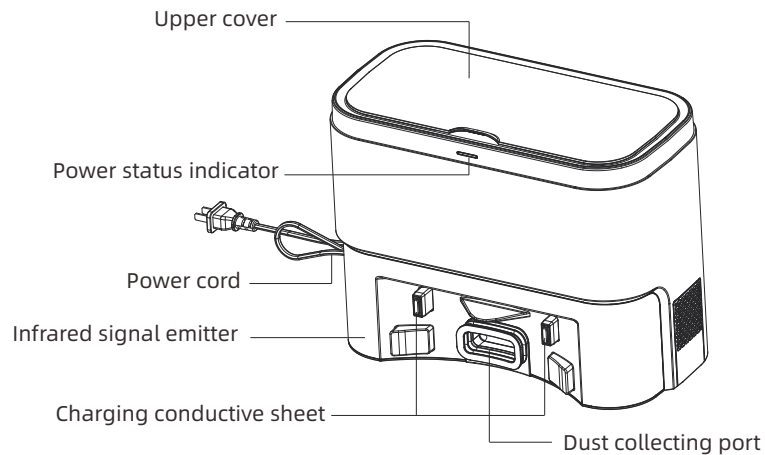


# About Robot Vacuum Cleaner

## 2 IN 1 dust box and water tank

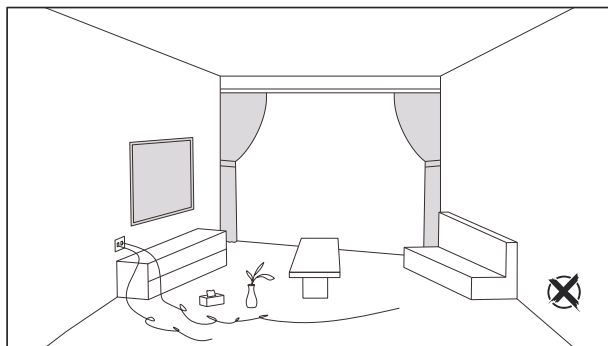


## Dust collection station

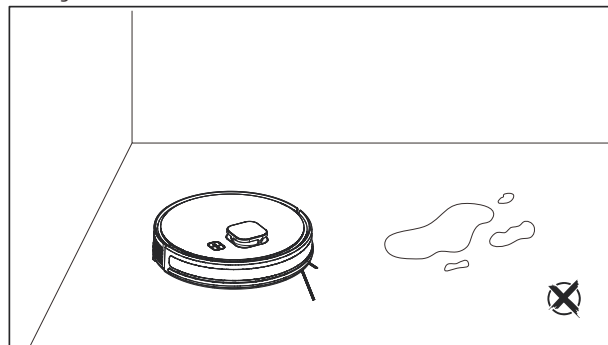
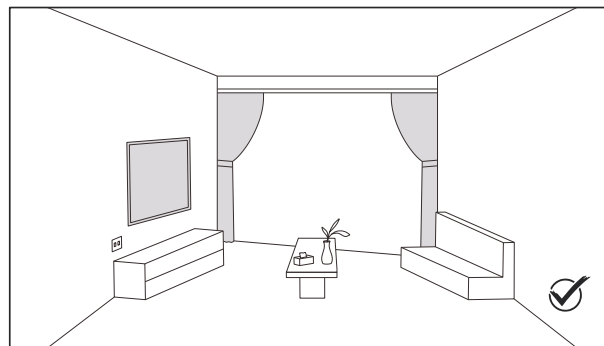


# Installation

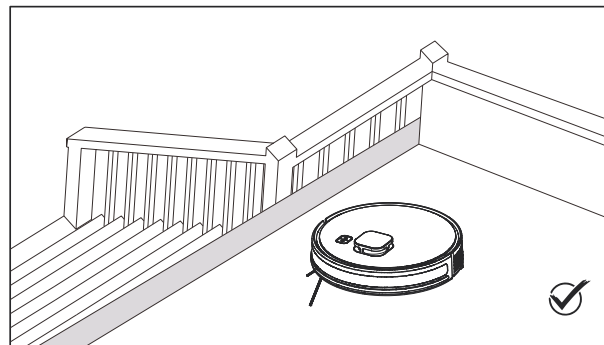
## Precautions



Before starting the machine, clear away wires and debris scattered on the floor, and remove items that are prone to falling, fragile, valuable and potentially dangerous. Avoid being entangled, stuck, dragged or knocked down by the machine, otherwise it may cause personal injury or property damage.



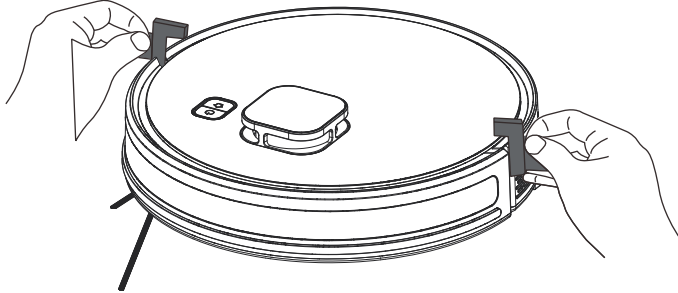
Don't use the machine to clean liquid.



In areas prone to falling or where cleaning is prohibited, use the App to set up a virtual wall after the auxiliary machine has completed mapping to avoid accidental falling or pushing other objects to fall, otherwise it may cause personal or property losses.

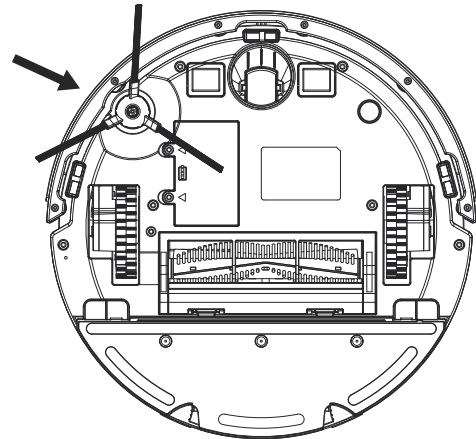
# Installation

1.Remove protective materials from both sides of the robot vacuum cleaner.



2.Install side brushes

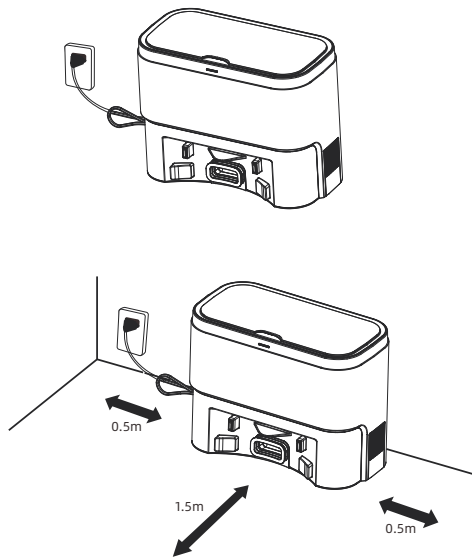
Align the side brush with the side brush hole on the bottom and press down. You will hear a "click", which means the side brush is installed in place.





# Installation

3. After connecting the power cord to the power source, tidy up any excess wires.
4. Place the dust collection station on a flat surface against a wall and connect it to a power source.




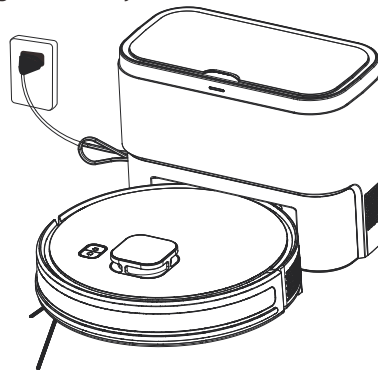
Notice:  
The indicator light stays on when the dust collection station is powered on, and goes off when the machine is being charged.

5. Do not move the dust collection station arbitrarily and avoid direct sunlight.

Notice:  
Sunlight may interfere with the charging signal, preventing the machine from returning to the dust collection station.

6. Power on and charge

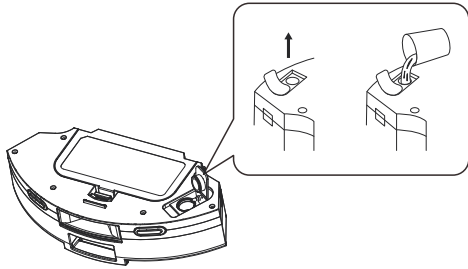
Press the cleaning button  to turn on the machine. When the indicator light is always on, place the machine on the charging station to charge. When you hear the "Start Charging" sound, it means the machine is charging successfully.



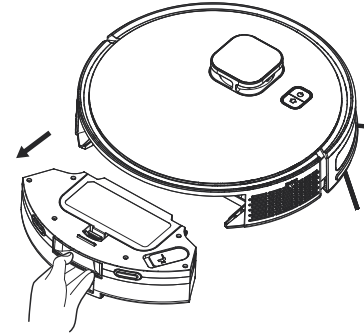
Illustrate :  
If the machine is low battery, it will not turn on. Please place the machine on the dust collection station and the device will automatically power on.

# Installation(Mopping function)

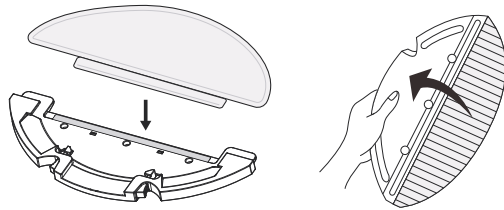
1. Open the water filling cap, add an appropriate amount of water, and then close it tightly. Do not add any detergent.



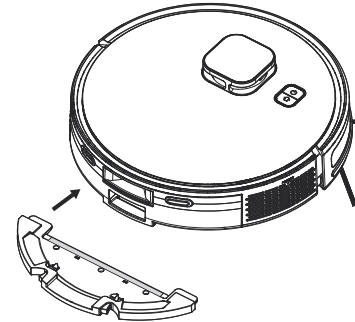
2. Install the 2 in 1 dust box and water tank onto the machine



3. Install the mop on the mop holder.



4. Install the mop holder.



# APP Connection

## Preparation before connection

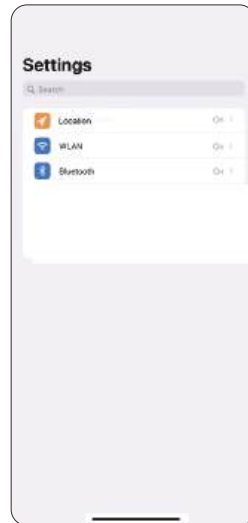
Download APP

Scan the QR code to download the App or search for "Smart Life" or "Tuya Smart" in major App markets and download it. The router supports wireless signals in the 2.4GHz band.

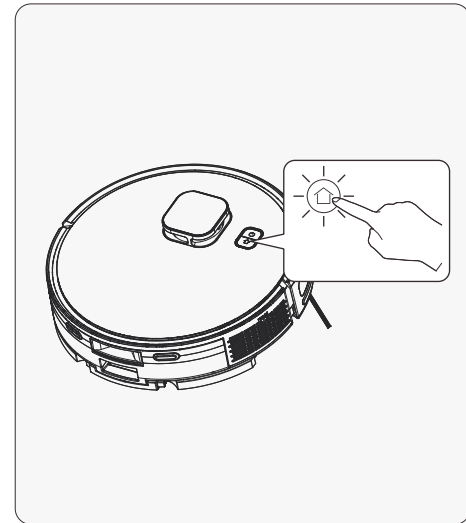
Download and install the App, open the App and create an account.




1. Register and log in to the APP.



2. Turn on mobile phone positioning, WiFi and Bluetooth, and authorize the APP to access WiFi and Bluetooth.

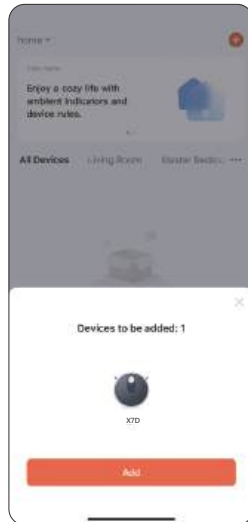


3. First start the machine, press  and hold the recharge button for more than 3 seconds until the voice prompt/indicator light flashes quickly, indicating that the machine enters the network mode.

# APP Connection



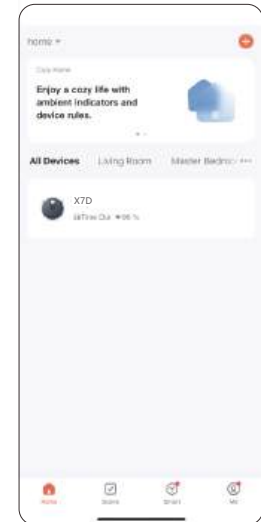
4. Click "Add a device" or "+" in the top right corner



5. Add already searched machine




6. Select 2.4GHz WiFi network and enter the password



7. Complete connection

# Use Instructions(Machine button)


## Power on/off

Press and hold the cleaning button  on the machine for more than 3 seconds.

In the shutdown state, if there is an indicator light on or a voice announcement, it means that the machine has been successfully turned on.

In standby mode, the indicator light turns off or a voice announcement indicates that the machine is shut down successfully.

## Recharge/Stop


Press the recharge button  on the machine, or the recharge button on the mobile phone APP. The machine will start charging when it is in standby state, and it will stop when it is not in standby state.

Note: If the robot vacuum cleaner cannot find the dust collection station, it will automatically return to the starting position. Please manually place the main unit on the dust collection station for charging.

## Reset button

Press the reset button with a needle to reset the machine.

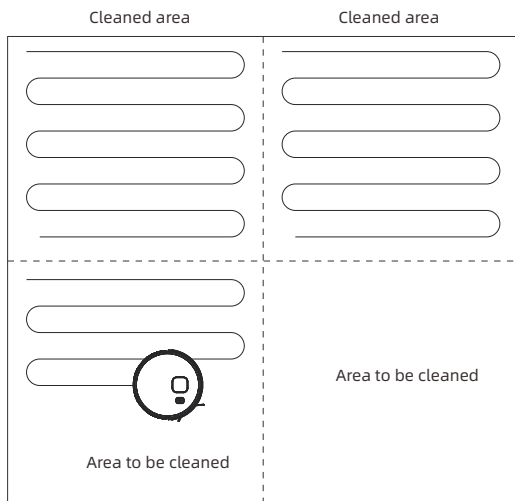
## Clean/Pause

Press the cleaning button  on the machine or the cleaning button on the mobile APP. The machine will start cleaning in the standby state and stop in the non-standby state.

# Use Instructions(Cleaning mode on APP)

## Smart cleaning

The machine scans the work environment, generates a map and intelligently divides areas. Once cleaning is complete, the machine returns to the dust collection station to recharge. In order to map better, the machine needs to clean for the first time starting from the dust collection station.

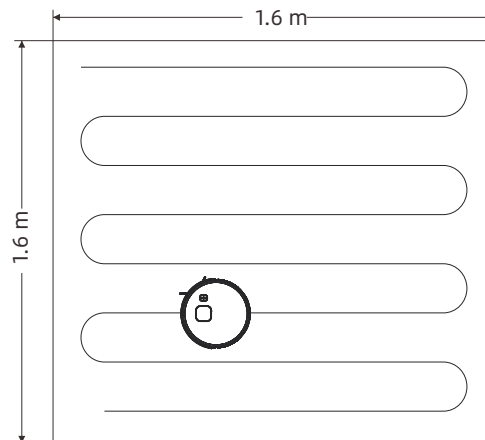


### Notice:

During operation, please do not move the machine arbitrarily and frequently. After moving, please place the machine near its original location. When the machine is started again, the device will try to reposition its coordinates. After the positioning is successful, it will continue to work according to the planned path. If positioning fails, the device will abandon the previous task and build a new map for cleaning, but may not be able to charge.

## Spot cleaning

Use the APP to select the cleaning function as required, select a point on the map, and the machine will move to the designated location and clean a square area of 1.6 meters x 1.6 meters centered on itself.



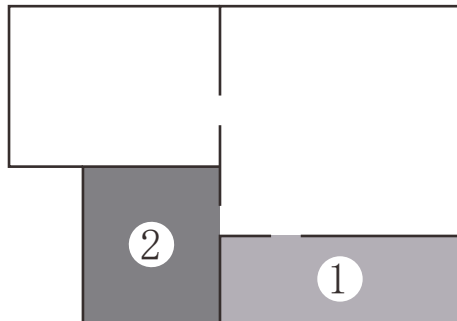
### Notice:

Before using this function, please complete the construction of the first cleaning map in the mobile APP.

# Use instructions(Cleaning mode on APP)

## Cleaning of selected area

Use the mobile APP to select the cleaning function of the selected area, select the area to be cleaned on the map, and the machine will clean in the selected area.

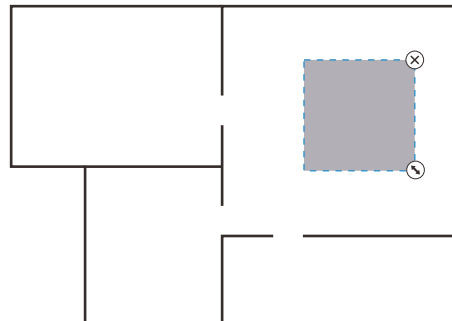


### Notice:

- Before using this function, please complete the construction of the first cleaning map in the mobile APP.
- The machine may enter an unplanned area, so please clear obstacles on the ground around the planned area, which cannot function as a safe isolation.

## Cleaning of defined area

Use the mobile APP to select the cleaning function of the defined area, select the area to be cleaned on the map, and the machine will clean in the defined area.



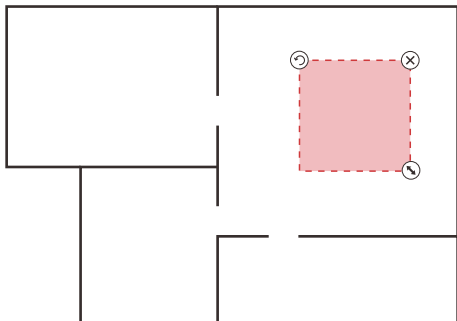
### Notice:

- Before using this function, please complete the construction of the first cleaning map in the mobile APP.
- The machine may enter an unplanned area, so please clear obstacles on the ground around the planned area, which cannot function as a safe isolation.

# Use Instructions(Cleaning mode on APP)

## Map editing

Use the mobile APP to select the virtual wall editing function, add and set (can be dragged and lengthened/shortened) on the map the virtual wall that the machine will avoid when cleaning.



### Notice:

- Before using this function, please complete the construction of the first cleaning map in the mobile APP.
- This function is only used to define clean areas and cannot be used to block dangerous areas.
- When moving the machine or home environment changes significantly, the map may become invalid and restricted areas may be lost.

## Other APP functions

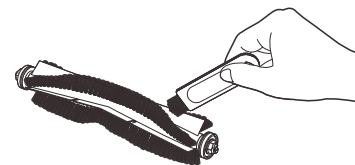
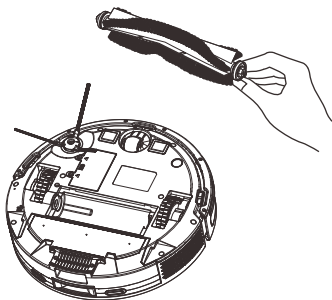
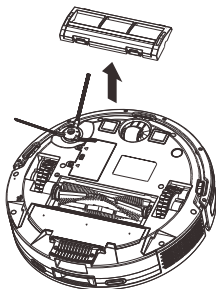
Manual control mode	Update map in real time
Find the machine	Language selection
Map management	View cleaning records
Working mode selection	Consumables management
Partition area editing	Customize area cleaning order
Custom area attribute	Suction and water volume selection



# Routine Maintenance

Rolling brush (Recommended cleaning frequency: once a week)

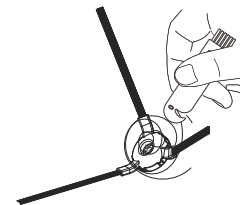
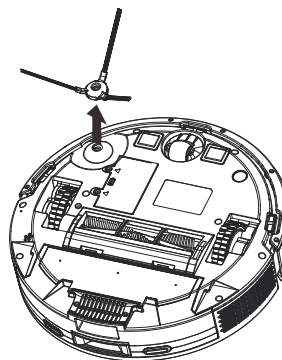
1. Turn the machine over, press the button on the roller brush cover, and take out the roller brush cover.
2. Remove the roller brush.
3. Use a cleaning brush to remove dust from the cavity, and remove entanglements on the roller brush.



Side brush (Recommended cleaning frequency: once a week)

1. Turn the machine upwards and pull out the side brush vertically;
2. Remove the tangled hair and replace the side brush;
3. Align the side brush with the side brush hole on the bottom, then press down to replace the side brush.

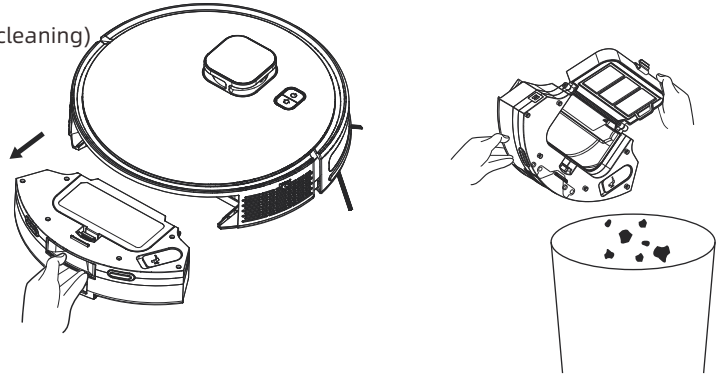
Note: It is recommended to replace the side brush every few months to ensure cleaning effect.



# Routine Maintenance

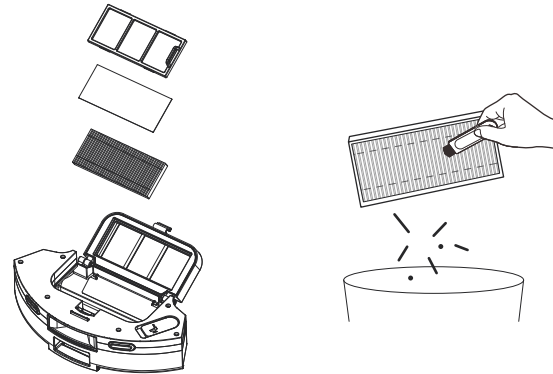
Dust box and filter (Recommended cleaning frequency: after cleaning)

1. Press the dust box button and pull out the dust box.
2. Press the dust box switch to open the dust box and dump the garbage.



Wash 2 in 1 Dust box and water tank (Recommended cleaning frequency: after cleaning)

1. After prolonged use, remove the sponge and high-efficiency filter.
2. Rinse the primary filter, dust box and sponge under the faucet. The high-efficiency filter cannot be rinsed with water.
3. After cleaning, shake off the water droplets, dry the filter and dust box in the air, and wait until they are completely dry before use.

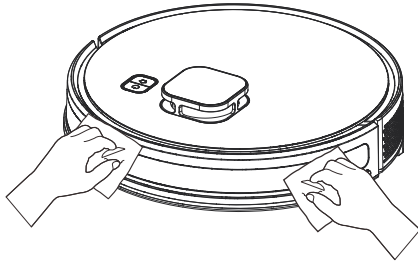


## Notes:

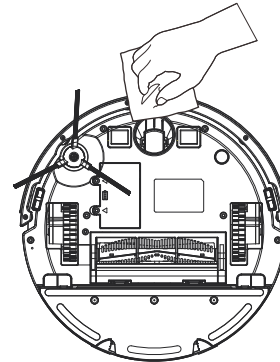
- Wash with clean water without adding any detergent.
- Never use a hard brush or fingers to clean the filter.
- The filter should be air-dried for at least 24 hours to allow it to dry thoroughly.
- It is recommended to replace the filter every three months.

# Routine Maintenance

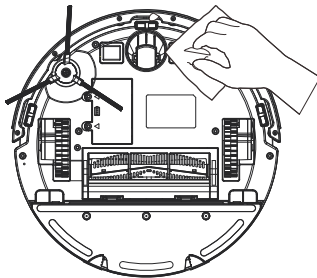
Clean the infrared obstacle avoidance sensor  
(Recommended cleaning frequency: once a month)



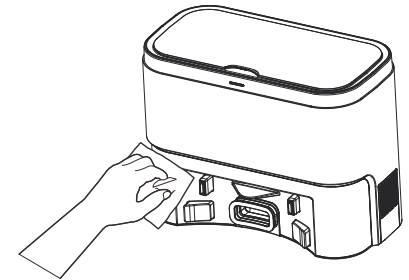
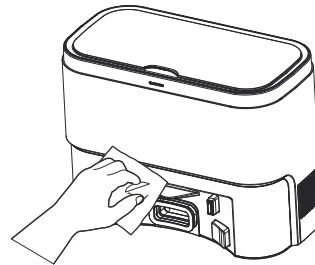
Clean the cliff sensor  
(Recommended cleaning frequency: once a month)



Clean the charging contact  
(Recommended cleaning frequency: once a month)



Clean the signal emission region on the dust collection station  
(Recommended cleaning frequency: once a month)



# Routine Maintenance

## Battery

- The host has a built-in rechargeable high-performance lithium-ion battery pack. To maintain battery performance, please keep the machine charged during daily use.
- If the machine is not used for a long time, it should be shut down for storage and charged every three months to avoid battery damage due to over-discharge.

## Firmware upgrade

Enter the firmware upgrade function through the mobile APP .After detecting the new firmware, upgrade according to the prompts. When upgrading, the machine must be placed on the charging station for charging. It is recommended that the battery capacity be not less than 50% before upgrading.

## Basic parameters

Host	Parameter
Model no.	X7-D
Size	Φ320x97mm
Battery	2600mAh lithium-ion battery
Rated voltage	14.8V $\overline{=}$
Rated power	32W
Charging time	4-5 hrs
Dust box capacity	230ml
Water tank volume	240ml

Dust collection station	Parameter
Size	320x165x240mm
Rated voltage	AC 110V~
Rated power	1000W

# Common Problems

PROBLEM	SOLUTION
Failed to power on the machine	<ul style="list-style-type: none"> <li>· The battery power is insufficient. Please place the machine on the dust collection station, and align with the charging sheet. The machine will be automatically powered on.</li> <li>· The ambient temperature is below 0°C or above 40°C. Please use the machine when the ambient temperature is 0°C to 40°C.</li> </ul>
Failed to charge the machine	<ul style="list-style-type: none"> <li>· Move the machine away from the charging station, check whether the indicator light of the dust collection station is on, and ensure that the power cord is connected correctly.</li> <li>· There is poor contact between the charging station and the machine. Please clean the charging station shrapnel and the charging sheet on the machine.</li> </ul>
Failed to return to dust collection station	<ul style="list-style-type: none"> <li>· The machine is too far from the dust collection station, try placing the machine near the dust collection station.</li> </ul>
Abnormal behavior	<ul style="list-style-type: none"> <li>· Turn the machine's power off and then on again.</li> </ul>
There is abnormal noise during cleaning	<ul style="list-style-type: none"> <li>· The roller brush, side brush or wheel may be entangled with foreign matter, please clean it after stopping the machine.</li> </ul>
The cleaning performance is degraded, or ash is dropped	<ul style="list-style-type: none"> <li>· Dust is clogged, clean or replace the filter, the dust box is full.</li> <li>· Clean the dust box.</li> <li>· The rollerbrush is entangled by foreign matter. Clean the roller brush.</li> </ul>
Failed to connect WiFi	<ul style="list-style-type: none"> <li>· The WiFi signal is not good, make sure the machine is located in a place with good WiFi signal.</li> <li>· The WiFi connection is abnormal, reset the WiFi settings, download the latest version of the application, and then try to reconnect to the WiFi network.</li> <li>· Incorrect password.</li> <li>· This machine only supports the 2.4GHz.</li> </ul>
Failed to perform scheduled cleaning	<ul style="list-style-type: none"> <li>· The battery is low, the scheduled cleaning will only start when the remaining battery reaches more than 15%.</li> </ul>
If the machine remains on the dust collection station, will it consume electricity?	<ul style="list-style-type: none"> <li>· When the machine remains on the station, power consumption is extremely low, which helps maintain optimal battery performance.</li> </ul>
Do I need to charge the battery for 16 hours the first three times I use the machine?	<ul style="list-style-type: none"> <li>· Lithium batteries have no memory effect and can be used immediately after being fully charged without waiting.</li> </ul>

# Troubleshooting

## Host failure

ERROR PROMPT	SOLUTION
Error 1: Inserting the 2-in-1 dust box/water tank	Cleaning is triggered when taking out the 2-in-1 dust box/water tank, please reinstall the 2-in-1 dust box/water tank.
Error 2: Place the machine on the floor before starting	Pick up the machine or the machine is suspended. Please move the machine to a flat groove and restart it.
Error 3: Please lay the machine flat on the ground and start it	The machine tilts. Please move the machine to flat ground before starting it again.
Error 4: Please check whether the front bumper is stuck	The edge or collision sensor is stuck. Please push the bumper to the left to confirm that it is not stuck.
Error 5: Low battery, please charge	Place the machine on the dust collection station to charge.
Error 6: The machine is trapped	Please move the machine to an open area and start the machine.
Error 7: Please check whether the wheel is stuck	The wheel is stuck or entangled. Please check the wheel and remove foreign matter.
Error 8: Please check whether the roller brush is stuck	The roller brush is entangled or stuck. Please check the roller brush and remove foreign matter.
Error 9: Please check whether the side brush is stuck	The side brush is entangled or stuck. Please check the side brush and remove foreign matter.

## Dust collection station failure

ERROR PROMPT	SOLUTION
Error 1: Indicator light: white light flashes once, orange light flashes once (dust bag at dust collection station is not installed)	Install dust bag at dust collection station
Error 2: Indicator light: white light flashes once, orange light flashes 2 times (the dust collection station cover is not closed or the dust bag is full)	Close the upper cover of the dust collection station and clean the garbage from the dust bag

# Safety Information

## Use Restrictions

- This product should only be used for household floor cleaning.
- Do not use it outdoors (such as an open-air balcony), off the ground (such as a sofa), or in a commercial or industrial environment.
- Do not use the machine in suspended environments without guardrails (such as duplex floors, open balconies and on top of furniture).
- Do not use this machine in an environment where the temperature is higher than 40°C or lower than 0°C, or where there are liquids and sticky objects on the ground.
- Please hang the grounding wire at home before use to avoid dragging the wire when the host is running.
- Please place fragile items and debris (such as vases, packaging bags, etc.) on the ground, otherwise they may block the machine or cause minor collisions, damaging valuable items in your home.
- Do not allow persons with physical, mental or sensory impairments, including children to use or operate this product.
- Do not allow children to use the machine as a toy. Please keep children and pets away from the machine when it is working.
- Please keep the cleaning brush out of the reach of children.
- Never place any objects (including children and pets) on stationary or moving machine.
- When the machine is working, please keep hair, fingers and other parts of the human body or pets away from the machine's vacuum inlet.
- Do not use the machine to clean burning materials, such as burning cigarette butts.
- Do not use the machine to clean pile carpets or certain dark-colored carpets, as it may not clean properly.
- Do not use this machine to vacuum hard or sharp objects such as decorative scraps, glass, nails, etc.
- Do not use the protective cover or bumper of the laser distance sensor as a handle for carrying the machine.
- Please clean or maintain the machine and dust collection station when the machine is turned off or powered off.
- Do not use a wet cloth or any liquid to wipe any part of the machine.
- When using the machine, follow the instructions in the manual.
- Any losses and injuries caused by improper use are the sole responsibility of the user.
- Do not use the mopping function on top of carpets or furniture.
- Please remove the mop holder and mop when charging the machine.

# Safety Information

## Battery and Charging

- Do not use any third-party battery, charging station or power cord.
- Do not disassemble, repair or modify the battery or dust collection station without permission.
- Do not place the dust collection station near heat sources such as radiators.
- Do not use a wet cloth or wet hands to wipe or clean the dust collection station shrapnel.
- Dispose of used batteries properly and send them to a professional recycling facility.
- If the power cord is damaged or broken, please stop using it immediately and purchase a new power cord through official channels.
- When transporting the product, make sure the machine is turned off and it is recommended to use the original packaging box for packaging.
- If the machine will not be used for a long time, please turn off the power after it is fully charged and place it in a cool and dry place.
- The machine should be charged at least once every three months to avoid battery damage due to over-discharge.