

AiriBes

Presence Sensor SP1

Presence Sensor SP1

Please read this manual carefully and keep it.

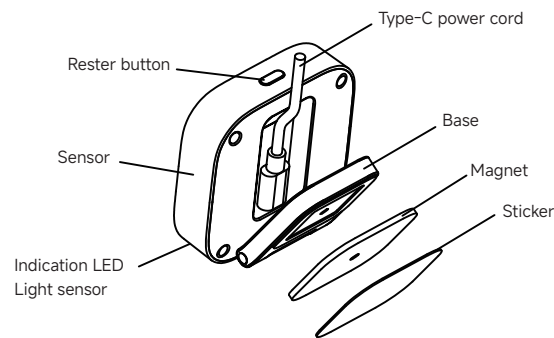
Version: V1.0

1 EN Presence Sensor SP1 User Manual 1

2 简 空间传感器SP1 使用说明书 7

Product introduction

Presence Sensor SP1 is a product for presence detection, multi person positioning.



*This product needs to be used with the HomeAssistant APP.

For more details about the product, please visit <https://www.AiriBes.com/> or scan the QR code below to get the detailed electronic manual.



Product parameter

Presence Sensor SP1 Color: White

Model: PS-SP1

Wireless Protocols: Wi-Fi IEEE 802.11 b/g/n 2.4GHz, Bluetooth4.2

Dimensions: 66 × 66 × 28.5mm

Rated Input: 5V = 2A

Waterproof Grade: IPX3

Operating Temperature: -10°C ~ 40°C (14°F ~ 104°F)

Operating Humidity: 0 ~ 95% RH, no condensation

Made in China

What is in the Box of PS-SP1:

Sensor × 1, Type-C power cord × 1, Magnet × 1, Sticker × 1, Screw × 1, User manual × 1Uit

Manufacturer: Shenzhen H&T Intelligent Product Co., Ltd

Address: 1004,10/F, Building D, Shenzhen Acade my of Aerospace Technology, No.6 Technology South 10th Rd., Hi-Tech Park, South Zone, Nanshan, ShenzhenCity, Guangdong Province, P. R. China

Email: support@AiriBes.com

Online Customer Service: www.AiriBes.com/support

Under normal use of condition, this equipment should be kept a separation distance of at least 20cm between the antenna and the body of the user.

Wi-Fi Operation Frequency	2412-2472 MHz
Wi-Fi Maximum Output Power	≤ 20 dBm
Bluetooth Operation Frequency	2402-2480 MHz
Bluetooth Maximum Output Power	≤ 13 dBm
Mmwave Frequency	59.16-61.56Ghz
Mmwave Maximum Output Power	≤ 10 dBm

Warnings

- 1.This product is not a toy, please keep children away from this product.
- 2.This product is designed for indoor use only. Do NOT use in humid environments or outdoors.
- 3.Beware of moisture, do NOT spill water or other liquids onto the product.
- 4.Do not place this product near a heat source.
- 5.Do not attempt to repair the product by yourself. All repairs should be performed by authorized personnel.
- 6.This product is designed only for improving the convenience of household life, and for status notifications. If the user violates the product instructions and this warning, the manufacturer is not responsible for any risks and property losses caused thereby.
- 7.Under normal use of condition, this equipment should be kept a separation distance of at least 20cm between the antenna and the body of the user.

⚠ Please select an adapter with a minimum output parameter of 5V= 2A to use with the product.



EU Declaration of Conformity

Hereby, [Shenzhen H&T Intelligent Product Co., Ltd] declares that the radio equipment type [Presence Sensor SP1,PS-SP1] is in compliance with Directive 2014/53/EU. The full text of the EU declaration of conformity is available at the following internet address: <https://www.AiriBes.com/DoC/>

Weee! WEEE Disposal and Recycling Information

All products bearing this symbol are waste electrical and electronic equipment (WEEE as in directive 2012/19/EU) which should not be mixed with unsorted household waste. Instead, you should protect human health and the environment by handing over your waste equipment to a designated collection point for the recycling of waste electrical and electronic equipment, appointed by the government or local authorities. Correct disposal and recycling will help prevent potential negative consequences to the environment and human health. Please contact the installer or local authorities for more information about the location as well as terms and conditions of such collection points.

FCC ID 2BHYS88888888

Federal Communications Commission (FCC) compliance statement:
1.This device complies with part 15 of the FCC Rules. Operation is subject to the following two conditions:

- (1) This device may not cause harmful interference, and
 - (2) this device must accept any interference received, including interference that may cause undesired operation.
- 2.Changes or modifications not expressly approved by the party responsible for compliance could void the user's authority to operate the equipment.

Note: This equipment has been tested and found to comply with the limits for a Class B digital device, pursuant to part 15 of the FCC Rules. These limits are designed to provide reason-

able protection against harmful interference in a residential installation. This equipment generates, uses and can radiate radio frequency energy and, if not installed and used in accordance with the instructions, may cause harmful interference to radio communications. However, there is no guarantee that interference will not occur in a particular installation. If this equipment does cause harmful interference to radio or television reception, which can be determined by turning the equipment of and on, the user is encouraged to try to correct the interference by one or more of the following measures:

- Reorient or relocate the receiving antenna.
- Increase the separation between the equipment and receiver.
- Connect the equipment into an outlet on a circuit different from that to which the receiver is connected.
- Consult the dealer or an experienced radio/TV technician for help.

RF Exposure statement:

This equipment complies with FCC radiation exposure limits set forth for an uncontrolled environment. This equipment should be installed and operated with minimum distance of 20 cm between the radiator and your body. This transmitter must not be co-located or operating in conjunction with any other antenna or transmitter.

IC IC:32945-88888

IC NOTICE TO CANADIAN USERS

This device contains licence-exempt transmitter(s)/receiver(s) that comply with Innovation, Science and Economic Development Canada's licence-exempt RSS(s). Operation is subject to the following two conditions:

- (1)This device may not cause interference.
- (2)This device must accept any interference, including interference that may cause undesired operation of the device.

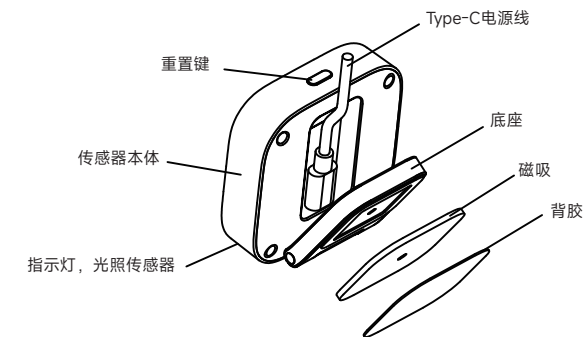
This Class B digital apparatus complies with Canadian ICES-003. This device complies with RSS-247 of Industry Canada.

Operation is subject to the condition that this device does not cause harmful interference.

This equipment complies with IC radiation exposure limits set forth for an uncontrolled environment. This equipment should be installed and operated with minimum distance of 20 cm between the radiator and your body. This transmitter must not be co-located or operating in conjunction with any other antenna or transmitter.

产品介绍

空间传感器SP1是一款人体存在侦测、多人区域定位产品。



*本产品需配合HomeAssistant APP使用。

操作详情, 请访问 <https://www.AiriBes.com> 或扫描下方二维码以获取本产品的电子说明书。



产品参数

名称: 空间传感器SP1 颜色: 白色

型号: PS-SP1

无线协议: Wi-Fi IEEE 802.11 b/g/n 2.4GHz, Bluetooth4.2

尺寸: 66 × 66 × 28.5mm

额定输入: 5V=2A

防水等级: IPX3

工作温度: -10°C ~ 40°C (14°F ~ 104°F)

工作湿度: 0 ~ 95% RH, 无冷凝

中国制造

PS-SP1包装内含:

传感器本体 × 1, Type-C电源线 × 1, 磁吸 × 1, 背胶 × 1,

螺钉 × 1, 使用说明书 × 1

制造商: 深圳和而泰智能产品有限公司

地址: 深圳市南山区高新南区科技南路6号深圳航天

科技创新研究院大厦D座10楼

邮箱: support@AiriBes.com

在线服务: www.AiriBes.com/support