



ActivPen[®] 2

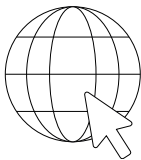
Quick Install Guide

TP-3253 ActivPen 2
V01

Quick Install Guide



1



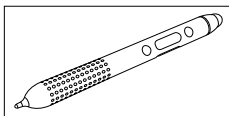
<https://support.prometheanworld.com>

2

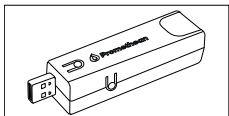


TP-3254

Safety Guide • دليل السلامة • Bezpečnostní příručka •
Sikkerhedsvejledning • Veiligheidshandleiding • Guide de
sécurité • Sicherheitsanleitung • Panduan Keamanan • Guida
sulla sicurezza • Қауіпсіздік нұсқаулығы • Norādījumi par
drošību • Saugos vadovas • Panduan Keselamatan •
Sikkerhetsveiledning • Instrukcja bezpieczeństwa • Manual de
segurança • Руководство по технике безопасности • Guía de
seguridad • Säkerhetsguide • คู่มือความปลอดภัย • Güvenlik
Kılavuzu • Інструкція з техніки безпеки • Hướng dẫn an toàn



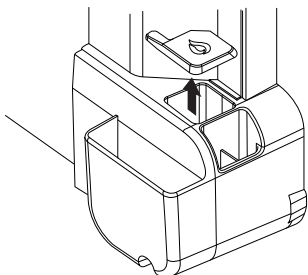
x1



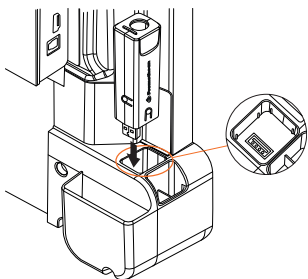
x1



- 1** Remove the cover from Interactive Display.

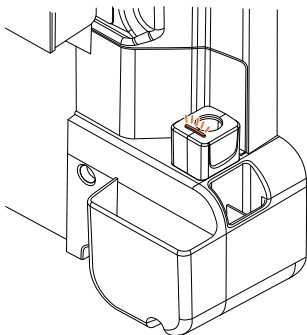


- 2** Insert the Dock to the Interactive Display.

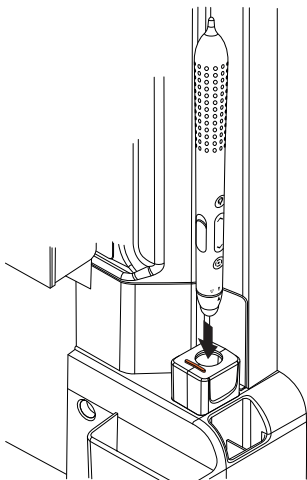


3

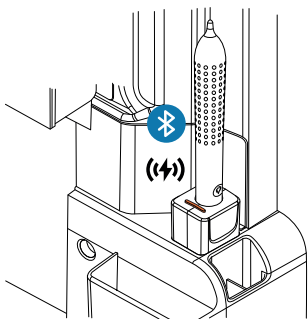
When the orange light sparkling, it indicates connection successful.

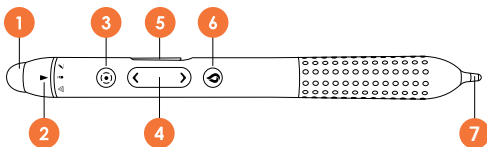
**4**

Put the Pen into the Dock.



5 Connection Successful.





1

Top Button • انزر الطوي • Horní tlačítko • Øverste knap • Knop bovenop • Bouton du haut • Taste nach oben • Tombol Atas • Pulsante superiore • Жоғарғыға бару түймесі • Augšējā poga • Mygtukas aukštyn • Toppknapp • Przycisk górny • Botão superior • Butonul de sus • Верхняя кнопка • Botón superior • Översta knappen • ໂປດ້ານນ • Üst Düğme • Кнопка «Вверху» • nút trên cùng

2

LED • مؤشر LED • Dioda LED • LED-indikator • LED • DEL • LED • LED • LED • LED • Gaismas diode • Skystieji kristalai • LED • LED • LED • LED • Светодиодный индикатор • Diodo • LED • LED • LED • Светлодиод • Đèn LED

Blue – Bluetooth Pairing / Paired, Green – Battery High, Orange – Battery Low • أزرق - Bluetooth منخفضة بطارية، برتقالي - بطارية عالية، أخضر - جاز الاقتران/مقترن، Modrá - Bluetooth párování/spárováno, zelená - nabitá baterie, oranžová - vybitá baterie • Blå - Bluetooth Parring/Parret, Grøn - Højt batteriniveau, Orange - Lavt batteriniveau • Blauw - Bluetooth Bezig met koppelen/gekoppeld, Groen - Batterij hoog, Oranje - Batterij laag • Bleu - Bluetooth En cours de couplage / Couplé, Vert - Niveau de batterie haut, Orange - Niveau de batterie faible • Blau - Bluetooth Pairing/Gekoppelt, Grün - Batteriestand hoch, Orange - Batteriestand niedrig • Biru - Bluetooth Menghubungkan / Terhubung, Hijau - Baterai Tinggi, Jingga - Baterai Rendah • Blu - Bluetooth Associazione/associata, Verde - Batteria carica, Arancione - Batteria scarica • Көк - Bluetooth Жүпталуда / Жүпталған, Жасыл - Батарея жоғары, Қызыл сары - Батарея төмен • Zila - Bluetooth notiek savienojuma izveide/savienojums izveidots, zaļa - augsts akumulatora uzlādes līmenis, oranža - zems akumulatora uzlādes līmenis • Mėlyna - Bluetooth Susiejimas / susietas, žalias - akumuliatorius įkrautas, oranžinis - baterija senka • Blå: Bluetooth parer/paret. Grønn: Mye batteri. Oransje: Lite batteri • Niebieski - Bluetooth parowanie/sparowano, Zielony - wysoki poziom naładowania baterii, Pomarańczowy - niski poziom naładowania baterii • Azul - Bluetooth A emparelhar/Emparelhado, Verde - Bateria alta, Laranja - Bateria baixa • Albastru - Bluetooth În curs de asociere / Asociat, Verde - Nivel ridicat al bateriei, Portocaliu - Baterie descărcată • Синий - Bluetooth сопряжение / сопряжено, зеленый - высокий заряд батареи, оранжевый - низкий заряд батареи • Azul - Bluetooth Emparejamiento / Emparejado, Verde - Bateria alta, Naranja - Bateria baja • Blå - Bluetooth Parkopplar/Parkopplad, Grøn - Batterinivå hög, Orange - Batterinivå låg • สีฟ้า - Bluetooth กำลังจับคู่ / จับคู่แล้ว สีเขียว - แบตเตอรี่สูง สีส้ม - แบตเตอรี่ต่ำ • Mavi - Bluetooth Eşleştiriliyor / Eşleştirildi, Yeşil - Pil Yüksek, Turuncu - Pil Düşük • Синій - Bluetooth Додавання пристрою/пристрій доданий, зелений - батарея заряджена, помаранчевий - низький рівень заряду батареї • Màu xanh da trời - Bluetooth Đang ghép nối/Đã ghép nối, Xanh lá cây - Pin còn nhiều, Cam - Pin yếu

3

Eraser • الممحاة • Guma • Viskelæder • Gum • Gomme • Radiergummi • Penghapus • Gomma • Eraser • Trintukas • Trintukas • Viskelær • Gumka • Borracha • Radierä • Ластик • Borrador • Radergummi • ยางลบ • Silgi • Ластик • Công cụ xóa

4

Page Up / Page Down • صفحة لأعلى / صفحة لأسفل • Page Up / Page Down • Side op/side ned • Pagina omhoog/Pagina omlaag • Haut de page / Bas de page • Seite nach oben/Seite nach unten • Halaman Atas / Halaman Bawah • Pagina precedente/pagina successiva • Бір бет жоғары/ бір бет төмен • Par vienu lpp. uz augšu/leju • Puslapis aukštyн / Puslapis žemyn • Side opp / side ned • Strona w górę / strona w dół • Página acima / Página abaixo • Derulare în sus/jos pe pagină • Страница вверх / Страница вниз • Re Pág / Av Pág • Föregående sida/Nästa sida • หน้าขึ้น / หน้าลง • Sayfa Yukarı / Sayfa Aşağı • Перегорнути сторінку вперед / назад • Trang trước/ Trang sau

5

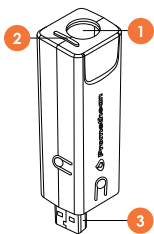
USB-C charging port • مقف شحن USB-C • Nabijeci port USB-C • USB-C-opladningsport • USB-C-oplaadpoort • Port de charge USB-C • USB-C-Ladeanschluss • Port charging USB-C • Porta di ricarica USB-C • USB-C зарядтау порты • USB-C uzlādes ports • USB-C įkrovimo prievadas • USB-C-ladeport • Port ładowania USB-C • Porta de carregamento USB-C • Port de încărcare USB-C • Порт для зарядки USB-C • Puerto de carga USB-C • USB-C-laddningsport • พอร์ตชาร์จ USB-C • USB-C şarj bağlantı noktası • Роз'єм для заряджання USB-C • Cổng sạc USB-C

6

Pointer Button • زر المؤشر • Tlačítko ukazatele • Markørknapp • Aanwijzerknop • Bouton du pointeur • Zeigertaste • Tombol Pointer • Pulsante del puntatore • Көрсеткіш түймесі • Rādītāja poga • Rodyklės mygtukas • Peker-knapp • Przycisk wskaźnika • Botão do ponteiro • Buton Indicator • Кнопка-указатель • Botón del puntero • Knapp för pekare • ปุ่มชี้ • İşaretçi Düğmesi • Кнопка «Указка» • Nút con trỏ

7

Nib • ريشة • Hrot • Spids • Punt • Pointe • Spitze • Nib • Pennino • Nib • Nib • Nib • Spiss • Końcówka • Nib • Peniță • Перо • Punta • Nib • Nib • Uç • Перо • Ngòi bút



1

Dock • إرساء • Ukotvit • Fastgør • Dock • Ankrage • Dock • Tambat • Ancora •
 Түйістіру • Dokot • Dokas • Dokk • Dokuj • Ancorar • Dock • Док-разъем • Base •
 Förankra • 挿し込み • Yuva • Док-станция • Đính kèm

2

LED • مؤشر • LED • Dioda LED • LED-indikator • LED • DEL • LED • LED • LED • LED •
 Gaismas diode • Skystieji kristalai • LED • LED • LED • LED • Светодиодный
 индикатор • DIODO • LED • LED • LED • Светлодіод • Đèn LED

Orange – No pen inserted, ready to charge, Orange Pulse – Pen inserted and charging, Green – Pen inserted and fully charged • برقتالي - لم يتم إدخال القلم، جاهز • برقتالي - لم يتم إدخال القلم، جاهز • برقتالي نابض - تم إدخال القلم وتجرى عملية الشحن، أخضر - تم إدخال القلم ومشحون بالكامل •
 Oranžová – pero není vloženo, je připraveno k nabití, oranžová bliká – pero je vloženo a nabíjí se, zelená – pero je vloženo a plně nabit • Orange – Ingen pen isatt, klar til opladning, Orange puls – Pen isatt og opladning, Grøn – Pen isatt og fuldt opladet • Oranje - Geen pen geplaatst, klaar om op te laden, Knippert oranje - Pen geplaatst en wordt opgeladen, Groen - Pen geplaatst en volledig opgeladen • Orange - Pas de stylo inséré, prêt à être rechargé, Pulsation orange - Stylo inséré et en cours de chargement, Vert - Stylo inséré et entièrement chargé • Orange – kein Stift eingesetzt, bereit zum Aufladen, Orange pulsierend – Stift eingesetzt und aufgeladen, Grün – Stift eingesetzt und vollständig aufgeladen • Jingga - Pena belum dimasukkan, siap dicas, Jingga Berkedip - Pena telah dimasukkan dan sedang dicas, Hijau - Pena telah dimasukkan dan baterai telah terisi penuh • Arancione - Nessuna penna inserita, pronta per la ricarica, Arancione lampeggiante - Penna inserita e in carica, Verde - Penna inserita e completamente carica • Қызғылт сары – қалам салынбаған, зарядтауға дайын, қызғылт сары импульс – қалам салынған және зарядталуда, жасыл – қалам салынған және толық зарядталған •
 Oranja – pildspalva nav ievietota, ir gatava uzlādei, oranža pulsējoša – pildspalva ir ievietota un pilnībā uzlādēta • Oranžinė – rašiklis neįdėtas, paruoštas įkrauti, oranžinė spalva mirksi – rašiklis įdėtas ir įkraunamas, žalia spalva – rašiklis įdėtas ir visiškai įkrautas •
 Oransje: Ingen penn er satt inn, klar til å lade. Oransje pulsering: Pennen er satt inn og lader. Grønn: Pennen er satt inn og helt oppladet • Pomarańczowy – pisak nie jest włożony, gotowy do ładowania, Pomarańczowy migający – pisak jest włożony i trwa ładowanie, Zielony – pisak jest włożony i w pełni naładowany •
 Laranja - Sem caneta inserida, pronta a carregar, Laranja intermitente - Caneta inserida e a carregar, Verde - Caneta inserida e totalmente carregada •
 Portocaliu - Nu este introdus un stilou, pregătit pentru încărcare, portocaliu intermitent - Stilou introdus și încărcat, Verde - Stilou introdus și complet încărcat • Оранжевый – ручка не вставлена, готова к зарядке; оранжевый мигающий – ручка вставлена и заряжается; зеленый – ручка вставлена и полностью заряжена •
 Naranja – Sin lápiz insertado, listo para cargar, Pulso naranja – Lápiz insertado y cargando, Verde – Lápiz insertado y completamente cargado •
 Orange – Ingen penna isatt, redo att laddas, Orange puls – Penna isatt och laddas, Grön – Penna isatt och fulladdad • สีส้ม – ยังไม่ได้ใส่ปากกา พร้อมชาร์จ สีส้ม Pulse – ใส่ปากกาแล้วและกำลังชาร์จ สีเขียว – ใส่ปากกาแล้วและชาร์จเต็มแล้ว •
 Turuncu - Kalem takılı değil, şarj olmaya hazır, Turuncu Yanıp Sönen - Kalem takılı ve şarj oluyor, Yeşil - Kalem takılı ve tamamen şarj olmuş •
 Помаранчевий – ручка не вставлена, готова до заряджання, миготливий помаранчевий – ручка вставлена та заряджається, зелений – ручка вставлена та повністю заряджена •
 Màu cam – Không có bút, sẵn sàng để sạc, CMàu cam nhấp nháy – Bút đã được cắm vào và đang sạc, Xanh lá cây – Bút đã được cắm vào và đã sạc đầy

3

USB plug • قاب USB • Zástrčka USB • USB-stik • USB-stekker • Prise USB • USB-Stecker • Plug USB • Connettore USB • USB шпачы • USB spraudnis • USB jungtis • USB-plugg • Wtyczka USB • Ligação USB • Conector USB • USB-разъем • Enchufe USB • USB-kontakt • ปลั๊ก USB • USB fişi • Poz'em USB • Phích cắm USB



1



<https://registration.prometheanworld.com>

2

Warranty registration • تسجيل الضمان • Registrace záruky • Garantiregistrering •
Garantieregistratie • Enregistrement en garantie • Garantiregistrierung •
Pendaftaran garansi • Registrazione della garanzia • Kenilдікті тіркеу • Garantijas
reģistrēšana • Garantijos registracija • Garantiregistrering • Rejestracja gwarancji •
Registo da garantia • Înregistrarea garanției • Регистрация гарантии • Registro de
garantía • Garantiregistering • การลงทะเบียนการรับประกัน • Garanti kaydı •
Рєєстрація гарантії • Đăng ký bảo hành



AP-ActivPen-2
Rated: 5Vdc, 2A
Pen Battery: 3.7Vdc 90mAh

EN English

Copyright information

TP-3253-ML-V01 ©2024 Promethean Limited. All rights reserved.

All software, resources, drivers and documentation supplied in the Promethean ActivInspire download are copyright Promethean Limited 2024. Promethean grants a license to install and use Promethean ActivInspire software, including any resources, drivers and documentation supplied in the download. Refer to the licence agreement for information about the terms and conditions of this licence.

Promethean is owner of a number of trademarks in several jurisdictions across the world. The Promethean products documented in this guide include aspects which are protected under their respective patent, copyright, design copyright, registered design and trademark laws.

VESA is a registered mark of Video Electronics Standards Association.

Apple is a trademark or registered trademark of Apple, Inc. in the United States and other countries.

Windows is a registered trademark or trademark of Microsoft Corporation in the United States and other countries.

Linux is a registered trademark of Linus Torvalds in the United States and other countries.

All other trademarks remain the property of their respective owners.

This guide is distributed online. It may only be reproduced for use within the institution in which the product is used. For use outside of your institution, no part of this guide may be reproduced, transmitted, stored in a retrieval system or translated into any other language without the prior permission of Promethean Limited.

Please note that the content in this guide is protected under copyright law. Although every care has been taken in the compilation of this guide, Promethean Limited accepts no responsibility for errors or omissions, or for damages resulting from the use of information contained within this guide.

Compliance

Product compliance markings and information can be accessed upon removal of the silicone cover at the tip of the pen. Re-attach silicone cover before normal use.

United States of America

This equipment has been tested and found to comply with the limits for a Class B digital device, pursuant to part 15 of the FCC Rules. These limits are designed to provide reasonable protection against harmful interference when the equipment is operated in a commercial environment. This equipment generates, uses, and can radiate radio frequency energy and, if not installed and used in accordance with the instruction manual, may cause harmful interference to radio communications. Operation of this equipment in a residential area is likely to cause harmful interference in which case the user will be required to correct the interference at his own expense.

Do not make any changes or modifications to the equipment.

Canada

This Class B digital apparatus complies with Canadian ICES-003.

Cet appareil numérique de la classe B est conforme à la norme NMB-003 du Canada.

Europe

We Promethean Limited, declare under our Sole responsibility that the AP-ActivePen-2 conforms to the requirements of European Union Directives 2014/53/EU Radio Equipment Directive (RED), 2014/30/EU Electromagnetic Compatibility Directive, 2014/35/EU Low Voltage Directive and 2011/65/EU Restriction of Hazardous Substances in Electrical and Electronic Equipment. Full Declaration of Conformity can be found by searching for the model number at support.prometheanworld.com.



WARNING

AP-ActivPen-2 is a Class B Product. In a domestic environment, it may cause radio interference in which case the user may be required to take adequate measures

United Kingdom

We, Promethean Limited declare under our sole responsibility that the AP-ActivPen-2 conforms to the essential UKCA requirements 2016 No:1091 Electromagnetic Compatibility regulations 2016, 2016 No:1101 Electrical Equipment Safety Regulation 2016, 2017 No:1206 The Radio Equipment Regulation 2017, and UK SI 2016 No:1091, RoHS Restriction of the use of certain Hazardous Substances in Electrical and Electronic Regulations 2012 – UK SI 2012 No:3032.



WARNING

AP-ActivPen-2 is a Class B Product. In a domestic environment, it may cause radio interference in which case the user may be required to take adequate measures.

Waste Electrical and Electronic Equipment (WEEE)

For more information concerning the correct disposal of these products, please contact your Promethean reseller.



United States of America

Pen: FCC ID: QAM025

Dock: FCC ID: QAM027

Model No: AP-ActivPen-2

This equipment has been tested and found to comply with the limits for a Class B digital device, pursuant to Part 15 of the FCC Rules. These limits are designed to provide reasonable protection against harmful interference in a residential installation.

This equipment generates, uses and can radiate radio frequency energy. If not installed and used in accordance with the instructions, may cause harmful interference to radio communications. However, there is no guarantee that interference will not occur in a particular installation. If this equipment does cause harmful interference to radio or television reception, which can be determined by turning the equipment off and on, the user is encouraged to try to correct the interference by one or more of the following measures:

- Reorient or relocate the receiving antenna.
- Increase the separation between the equipment and receiver.
- Connect the equipment into an output on a circuit different from that to which the receiver is connected.
- Consult the dealer or an experienced radio technician for help.
- Any changes or modifications not expressly approved by the party responsible for compliance could void the user's authority to operate the equipment.

This device complies with part 15 of the FCC rules. Operation is subject to the following two conditions:

1. This device may not cause harmful interference; and
2. This device must accept any interference received, including interference that may cause undesired operation.

This equipment (Pen and Dock) complies with FCC radiation exposure limits set forth for an uncontrolled environment. The Dock should be installed and operated with minimum distance 20cm between the radiator and your body.

Canada

Pen: IC: 5459A-025 HVIN: 5459A-025

Dock: IC: 5459A-027 HVIN: 5459A-027

Model No: AP-ActivPen-2

Canada-IndustryCanada(IC)

This device complies with Innovation, Science, and Economic Development Canada licence-exempt RSS standard(s). Operation is subject to the following two conditions:

- (1) this device may not cause interference, and
- (2) this device must accept any interference, including interference that may cause undesired operation of the device.

Modèle no: AP-ActivPen-2

Le présent appareil est conforme aux CNR d'Innovation, Sciences et Développement économique Canada applicables aux appareils radio exempts de licence. L'exploitation est autorisée aux deux conditions suivantes :

- (1) l'appareil ne doit pas produire de brouillage, et
- (2) l'utilisateur de l'appareil doit accepter tout brouillage radioélectrique subi, même si le brouillage est susceptible d'en compromettre le fonctionnement.

The device (Pen and Dock) is compliance with RF exposure guidelines, users can obtain Canadian information on RF exposure and compliance.
The minimum distance from body to use the Dock is 20cm.

L'appareil (stylo et station d'accueil) est conforme aux directives d'exposition aux RF. Les utilisateurs peuvent obtenir des informations canadiennes sur l'exposition aux RF et la conformité.
La distance minimale du corps pour utiliser la station d'accueil est de 20 cm.

Europe



AP-ActivPen-2

	Type	Frequency	Maxpower
Pen:	BLE	2402-2480MHz	3.68dBm
	WPT	111-150kHz(Rx only)	/
Dock:	BLE	2402-2480MHz	2.03dBm
	WPT	111-150kHz	20.69dBuA/m@3m

United Kingdom



AP-ActivPen-2

	Type	Frequency	Maxpower
Pen:	BLE	2402-2480MHz	3.68dBm
	WPT	111-150kHz(Rx only)	/
Dock:	BLE	2402-2480MHz	2.03dBm
	WPT	111-150kHz	20.69dBuA/m@3m

AP-ActivPen-2 is for internal use only.

Promethean Ltd, Promethean House, Lower Phillips Road, Blackburn, Lancashire, BB1 5TH, United Kingdom

Battery warranty

1. replacement of a battery with an incorrect type that can defeat a safeguard.
2. disposal of a battery into fire or a hot oven, or mechanically crushing or cutting of a battery, that can result in an explosion.
3. leaving a battery in an extremely high temperature surrounding environment that can result in an explosion or the leakage of flammable liquid or gas.
4. a battery subjected to extremely low air pressure that may result in an explosion or the leakage of flammable liquid or gas.