

[Powerstick.com Clearpad Glow User Manual](#)

Manualsum, simplified manuals

Table of Contents

- [Powerstick.com Clearpad Glow User Manual](#)
 - [INSTALL AND USE:](#)
 - [TURNING ON/OFF GLOW:](#)
 - [ADJUSTING BRIGHTNESS:](#)
 - [BUILT-IN BATTERY:](#)
 - [CHARGING CLEARPAD GLOW:](#)
 - [CLEANING INSTRUCTIONS:](#)

Powerstick.com Clearpad Glow User Manual

Powerstick.com Clearpad Glow User Manual

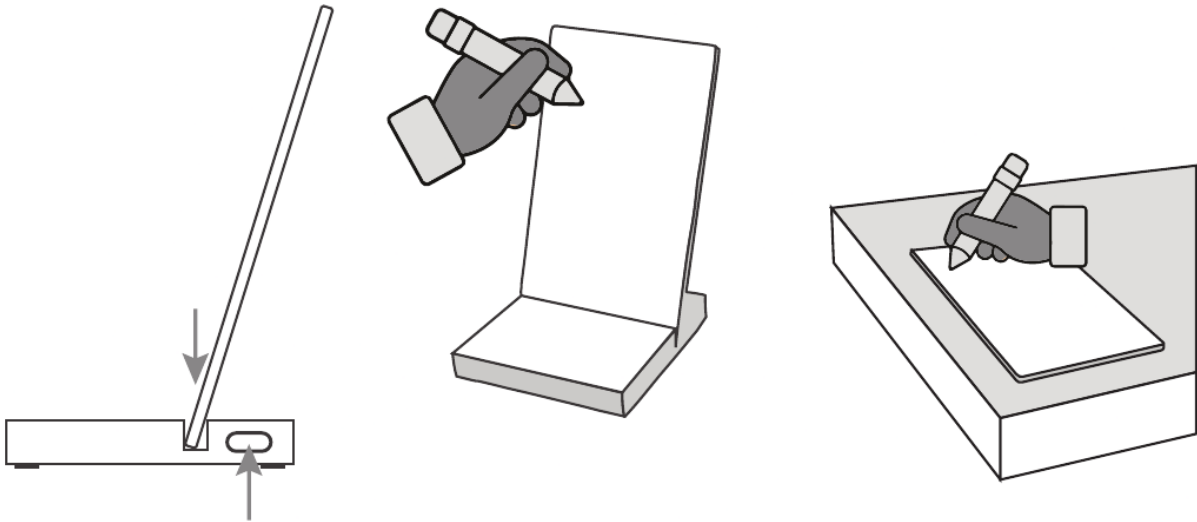
FCC id: [2AITN-CLRPADGLOW](#)



INSTALL AND USE:

Peel off the protective film.

Insert the writing panel into the notch of the base.



You can write while it is standing up or take it off and place it on a flat surface as well.

Only for use with Chalk Markers.

TURNING ON/OFF GLOW:

Use the included cable to plug ClearPad Glow into a USB power source (laptop, USB adapter, powerbank, etc.)

Press the button to turn on and off ClearPad Glow.

ADJUSTING BRIGHTNESS:

Press and hold to adjust the brightness of the glow. The brightness will cycle back to bright after reaching the lowest setting.

BUILT-IN BATTERY:

ClearPad Glow has a battery built in that will allow 2 hours of glow time. ClearPad Glow will blink 3 times and turn off when it is time to charge.

CHARGING CLEARPAD GLOW:

Use the included charging cable to keep ClearPad Glow always on or to charge up the battery.

CLEANING INSTRUCTIONS:

Use a clean, dry cloth or tissue to simply wipe the chalk marker off.

Do not use any abrasive or household cleaners.