

ILIVE PORTABLE BATTERY SPEAKER USER MANUAL 2A7UF-TK-118

Manualsum, simplified manuals

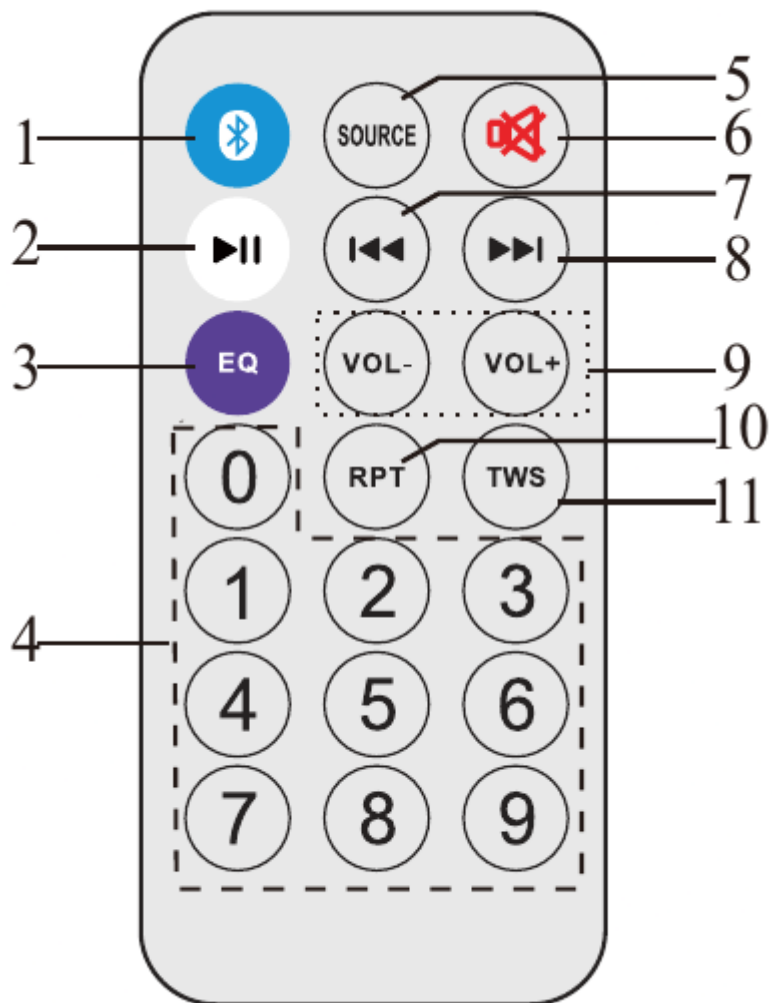
Table of Contents

- [ILIVE PORTABLE BATTERY SPEAKER USER MANUAL](#)
 - [REMOTE CONTROL](#)
 - [Control Panel Function](#)
 - [SPECIFICATIONS](#)
 -
 -
 -
 - [POWER SOURCE](#)
 - [CHARGE THE BATTERY](#)
 - [PREVIOUS/NEXT BUTTON](#)
 - [Play / Pause / Pair](#)
 - [LIGHT / MODE](#)
 - [AUXIN JACK](#)
 - [MIC IN JACK](#)
 - [USB JACK](#)
 - [Bluetooth:](#)

ILIVE PORTABLE BATTERY SPEAKER USER MANUAL

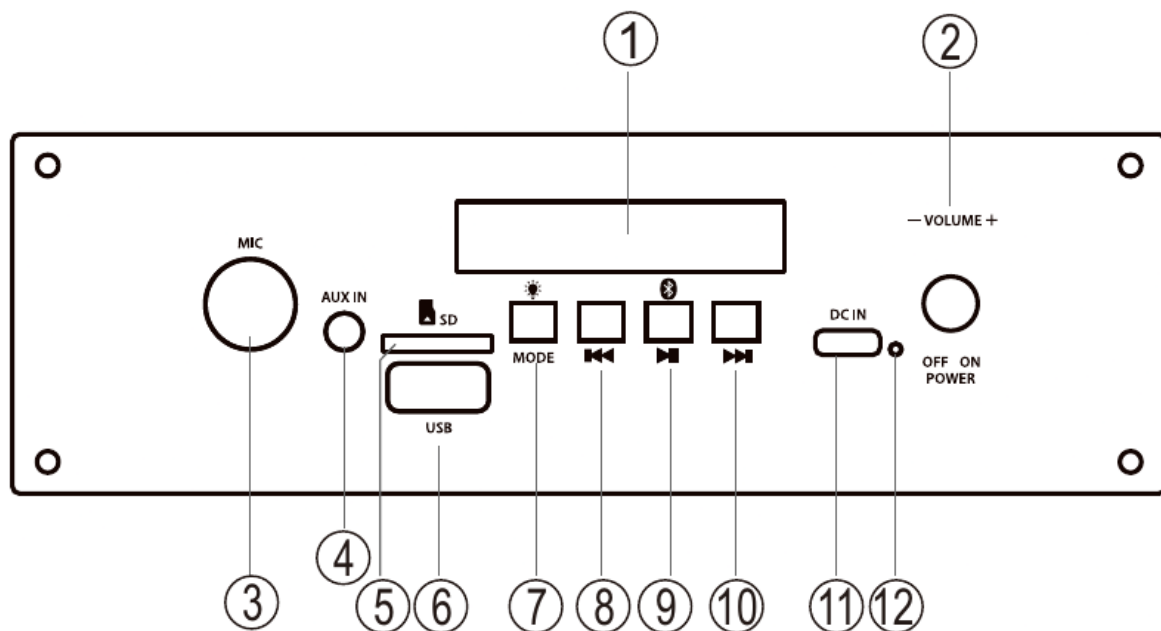


REMOTE CONTROL



1. Press and hold to begin pairing manually
2. Play/ Pause
3. EQ sound effect mode button
4. Number Pad
5. Press to switch source mode
6. Mute button
7. Previous
8. Next
9. Volume +/-
10. Single Repeat (For USB card playing mode)
11. TWS button

Control Panel Function



1. LED Display
2. .Power / Volume Wheel : Turn to power ON/OFF and adjust volume level
3. Microphone Input
4. Auxin (3.5mm input)
5. TF card input
6. USB Media Port
7. LIGHT / MODE : Press to change audio source between Bluetooth , Auxin, USB. Press and hold to turn LED lights ON / OFF
8. Previous : Press to replay previous track(Press and hold for 10 seconds to turn voice prompts on/off).
9. Play / Pause / Pair : Press to play / pause a track, Press and hold for 3 seconds to manually pair to a Bluetooth device.
10. Next/ Tws : Press to skip to next track .Press and hold for 3 seconds to enter Party Plus mode which will allow this speaker to pair with another ISB354 speaker for True Wireless stereo.
11. DC Power Input : Use to charge the internal battery and power the speake - Charge time is approximately 4 hours
12. Charging Status LED : Solid red light when charging . When the unit is fully charged , the light will turn off .

SPECIFICATIONS

Power Output	10W
Frequency Response for main speaker	50Hz-20KHz
Power Supply	DC5V

POWER SOURCE

1. Please charge the unit at least 4 hours before first time using.
2. Twist the dial clockwise/anticlockwise to switch on/off the unit.

CHARGE THE BATTERY

When the battery is charging, the CHARGE STATUS lights shows on the LED display is red. After the battery has fully charged, the light turns off.

1. Connect the USB charge cable to the DC5V interface of the speaker firmly.
2. When the battery is fully charged, please disconnect the USB charge cable from the speaker.
3. The speaker works normally when charging.

POWER/VOLUME

Twist the dial clockwise/anticlockwise to increase/discrease the volume.

PREVIOUS/NEXT BUTTON

Under playing status, press PREVIOUS/NEXT button to get back to a previous or next song.

Play / Pause / Pair

Press to play / pause a track. Press and hold for 3 seconds to manually pair to a Bluetooth device.

LIGHT / MODE

Long press to turn on/off light.

Lightly press to enter into playing mode selection(Bluetooth,FM Radio, AUX Input, USB).

AUXIN JACK

1. Connect an audio cable to the AUX IN JACK of the speaker and to the audio output socket on the external audio devices such as MP3 player, discman, etc, then select AUX by pressing the Source / LEDs button on the control panel.
2. Play from an external audio device.

MIC IN JACK

Plug in microphone directly for playing.

USB JACK

Insert USB card directly for playing.

Bluetooth:

Long press Source / LEDs button on control panel to select Bluetooth mode. Simultaneously open the Bluetooth setting on your phone, tablet or any other Bluetooth enabled audio device and select "ISB354" (no need to match code), the unit and device will then connect via Bluetooth. Press the "NEXT SONG" and "PREVIOUS SONG" button on the control panel to select the song, press "PLAY/PAUSE" button to control the playing status.