

[RC THUNDER TUMBLER/ TWIRLING TUMBLER User Manual](#)

[Manualsum](#), simplified manuals

Table of Contents

- [RC THUNDER TUMBLER/TWIRLING TUMBLER User Manual](#)
 - [OPERATING INSTRUCTIONS](#)
 - [SAFETY PRECAUTIONS](#)
 - [BATTERY WARNING:](#)
 - [SUPPORT](#)

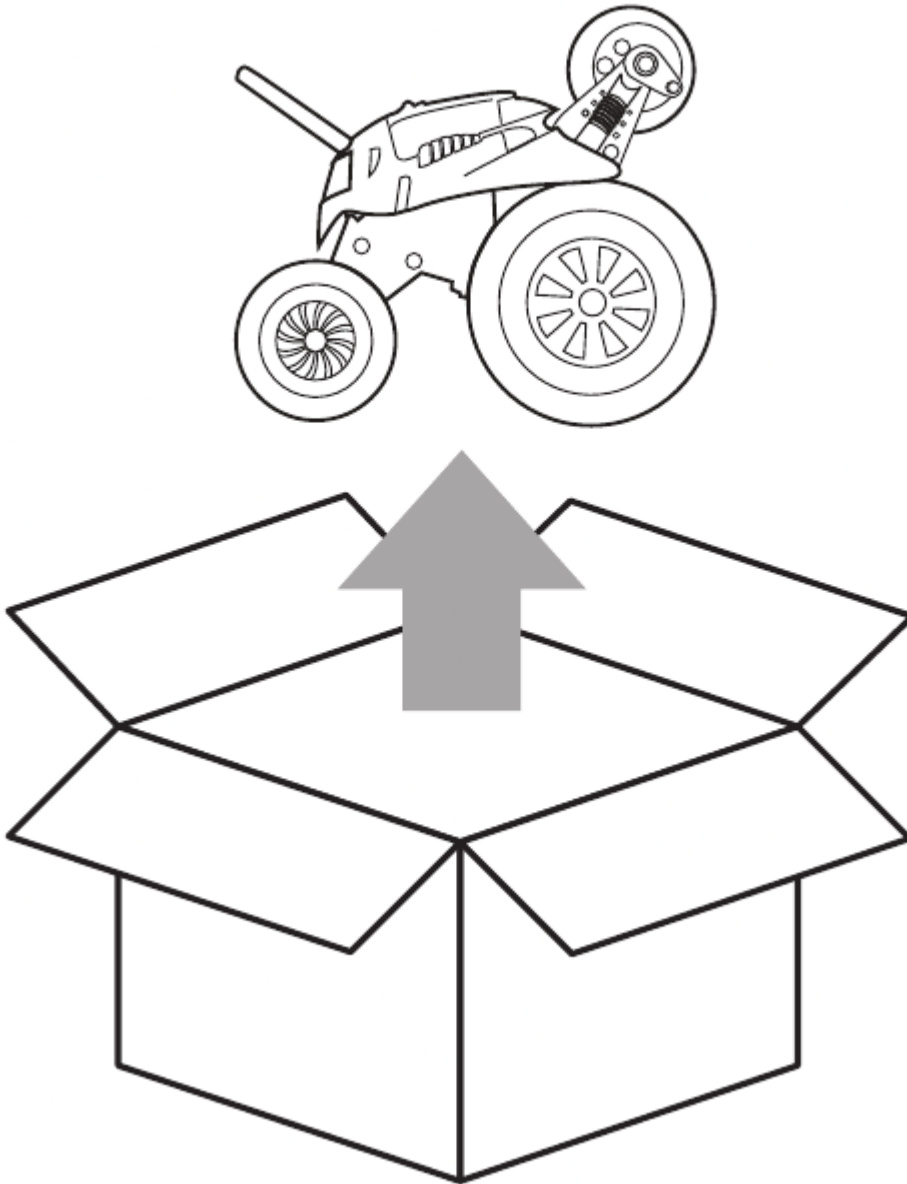
RC THUNDER TUMBLER/TWIRLING TUMBLER User Manual

RC THUNDER TUMBLER/TWIRLING TUMBLER User Manual

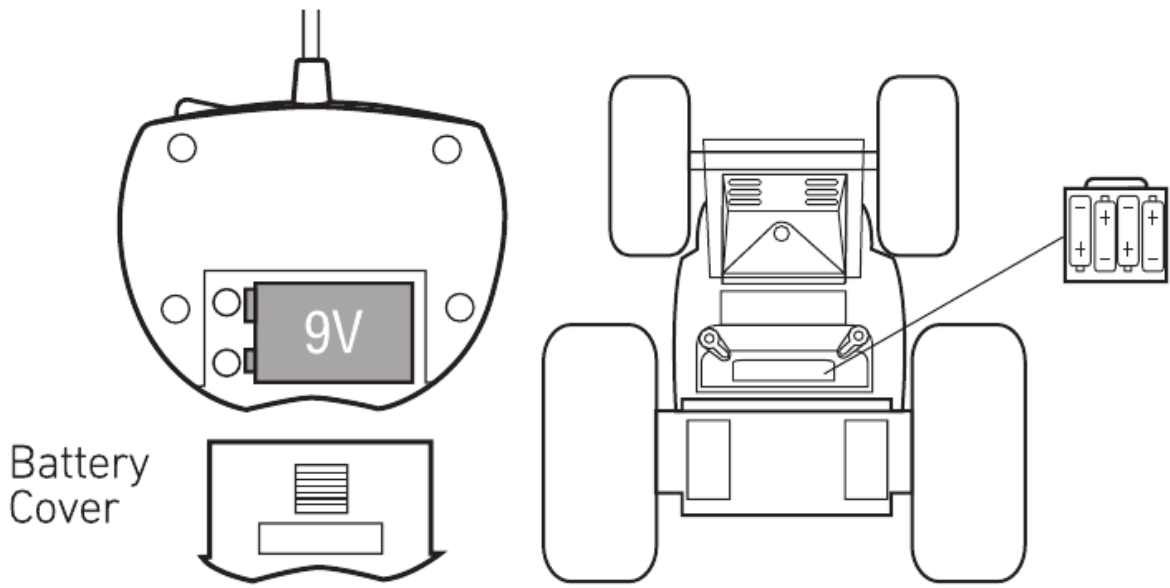
[\(2AO8MXW2024B27\)](#)

OPERATING INSTRUCTIONS

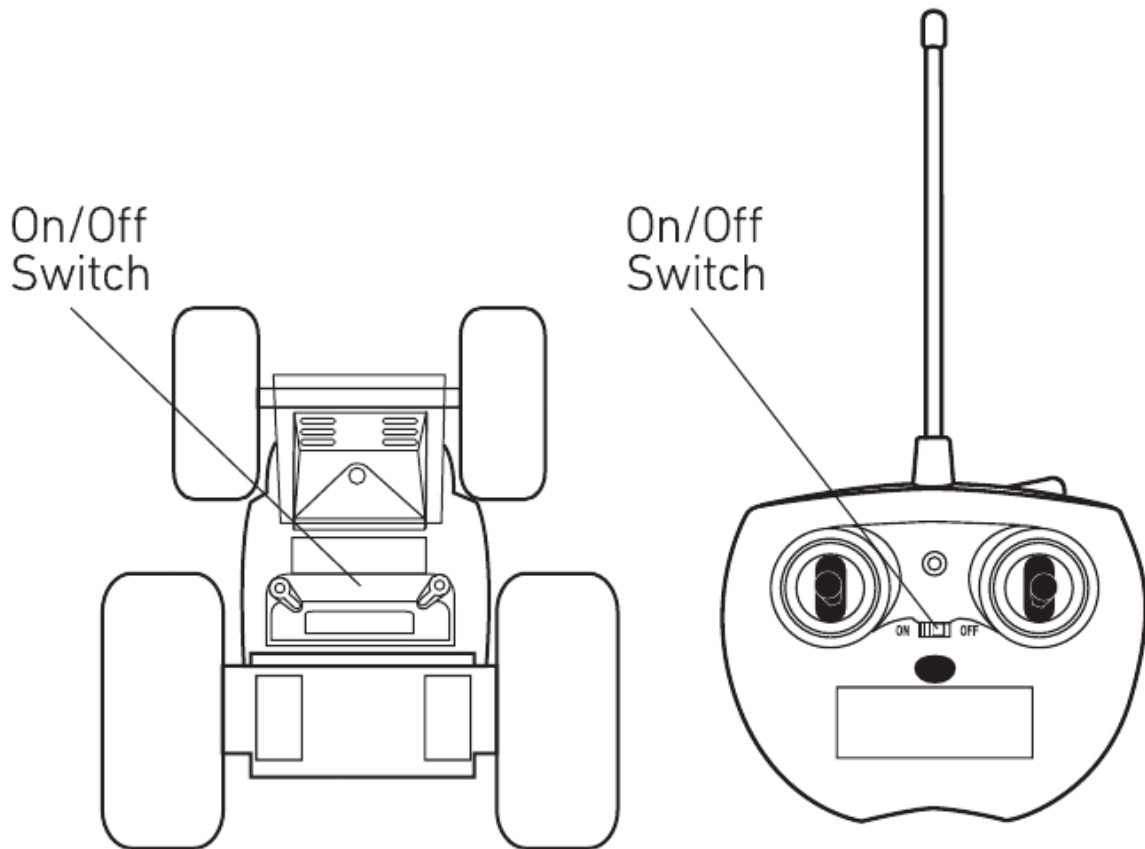
1. Carefully remove items from package.



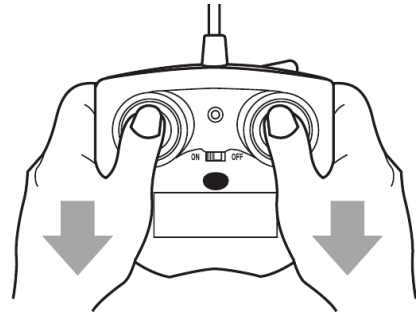
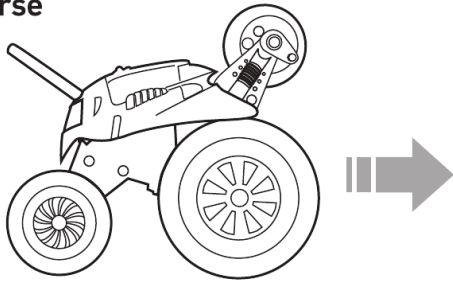
2. Locate the battery compartment on the back of each item. Swivel latches on bottom of car to release battery pack and insert batteries. Insert 4 AA 1.5V alkaline batteries (not included) for car and one 9V battery (not included) for remote control.



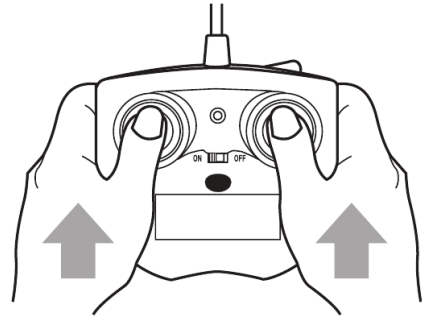
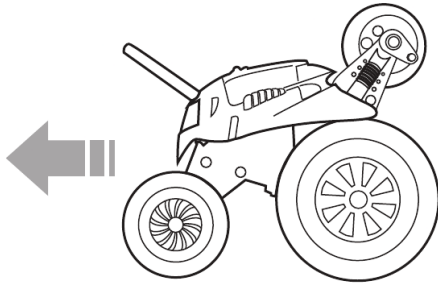
3. Switch both car and remote buttons to “ON” position. For best result use the car on hard surfaces such as wood or tile.



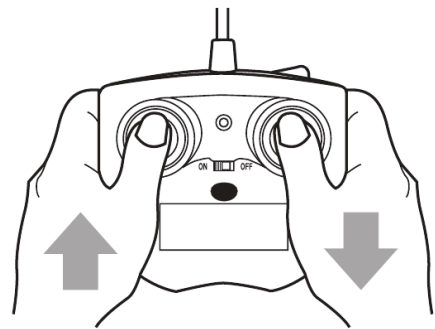
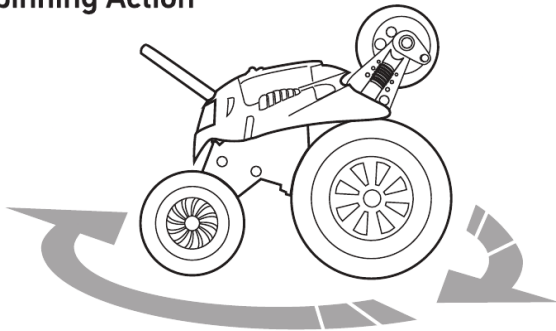
Reverse



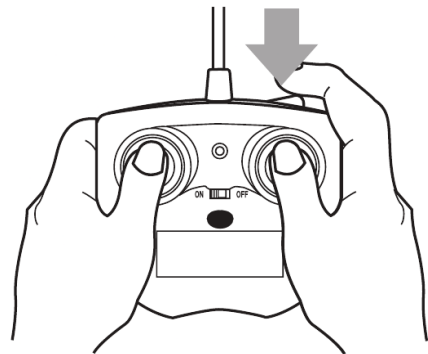
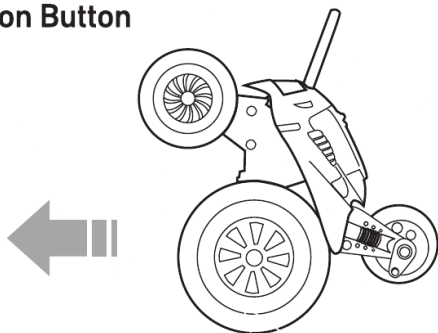
Forward



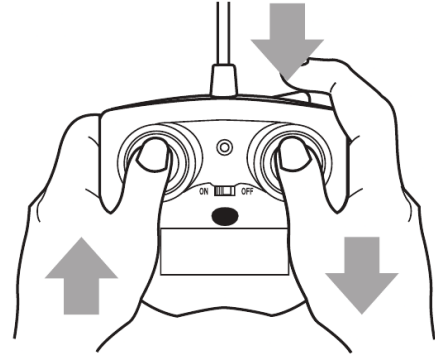
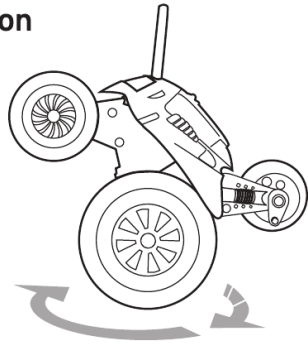
Spinning Action



Action Button



**Hold Action Button
While Spinning**



SAFETY PRECAUTIONS

1. Do not operate during thunderstorms or rain.
2. Avoid water, sand and snow when operating car.
3. Do not submerge car or controller in water.
4. Never operate your car on the street or highway.
5. Never operate your car in a confined or crowded area, and do not use people or animals as obstacles.
6. Do not run your car into furniture, objects or hard surface, as this will cause damage to both the objects and your car.
7. Keep fingers, hair and loose clothing away from the tires, gears and motor while the car is switched to "ON".
8. Do not leave car or remote control near source of heat or under direct sunlight for long periods of time.
9. Do not leave car or remote control outside overnight. Dampness is harmful to interior components.
10. Remove all batteries when not in use to avoid accidental operation.
11. Adult supervision is recommended when operating this car.

BATTERY WARNING:

1. Do not mix old and new batteries.
2. Do not mix alkaline, standard (carbon-zinc), or rechargeable batteries.
3. Insert batteries using the correct polarity.
4. Do not short-circuit the supply terminal.
5. Remove batteries when not in use. Recycle or dispose of exhausted batteries according to federal, state, and local laws.
6. Do not dispose of batteries in a fire - they may leak or explode.
7. Only use manufacture specified battery(ies), charger(s) and/or adapter, if applicable, specified by the manufacturer.
8. Always use, replace, and recharge (if applicable) batteries under adult supervision.
9. Keep these instructions for future reference.

SUPPORT

FOR CUSTOMER SUPPORT, PLEASE CALL

1-800-374-2744

[Manualsum](#)