

Shenzen BITECA TV Antenna SW216 User Manual 2BGYE- SW216

Manualsum, simplified manuals

Table of Contents

- [Shenzen BITECA TV Antenna User Manual](#)
 - [Product Overview](#)
 - [Product Specification](#)
 - [Antenna installation](#)
 - [Installation1](#)
 - [Installation2](#)
 - [Installation3](#)
 - [Scenario Installation Example Diagram](#)
 - [Connect Antenna to TV or Set-top Box](#)
 - [Set up Guidance](#)

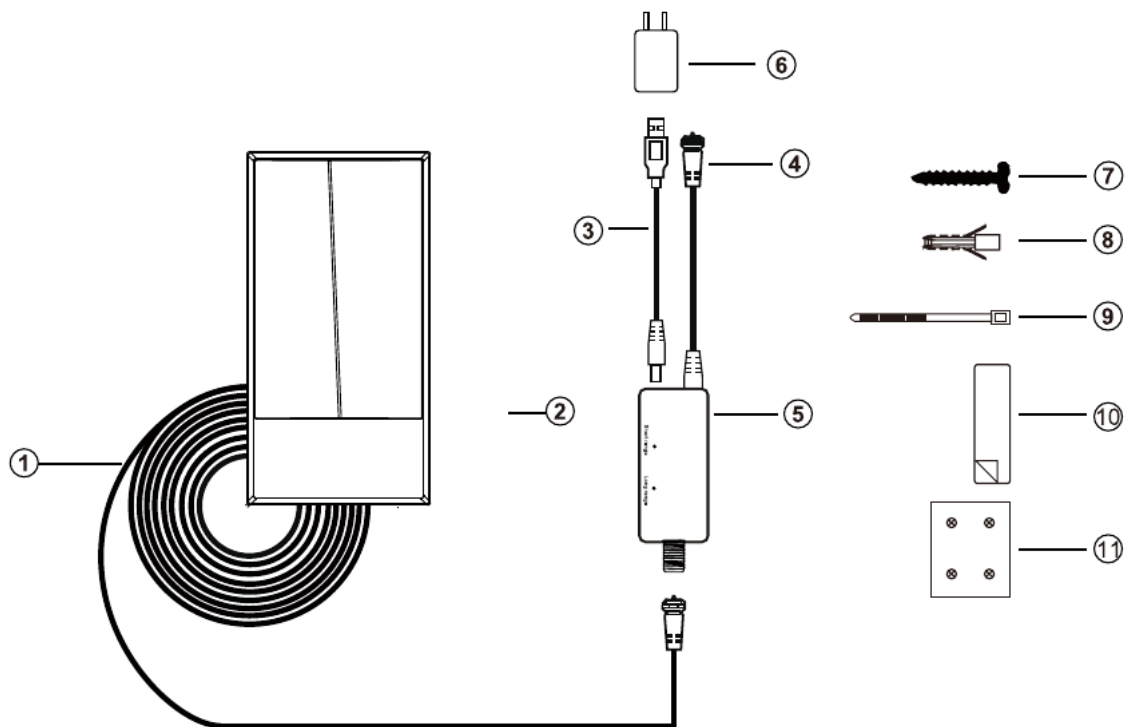
Shenzen BITECA TV Antenna User Manual

Shenzen BITECA TV Antenna User Manual

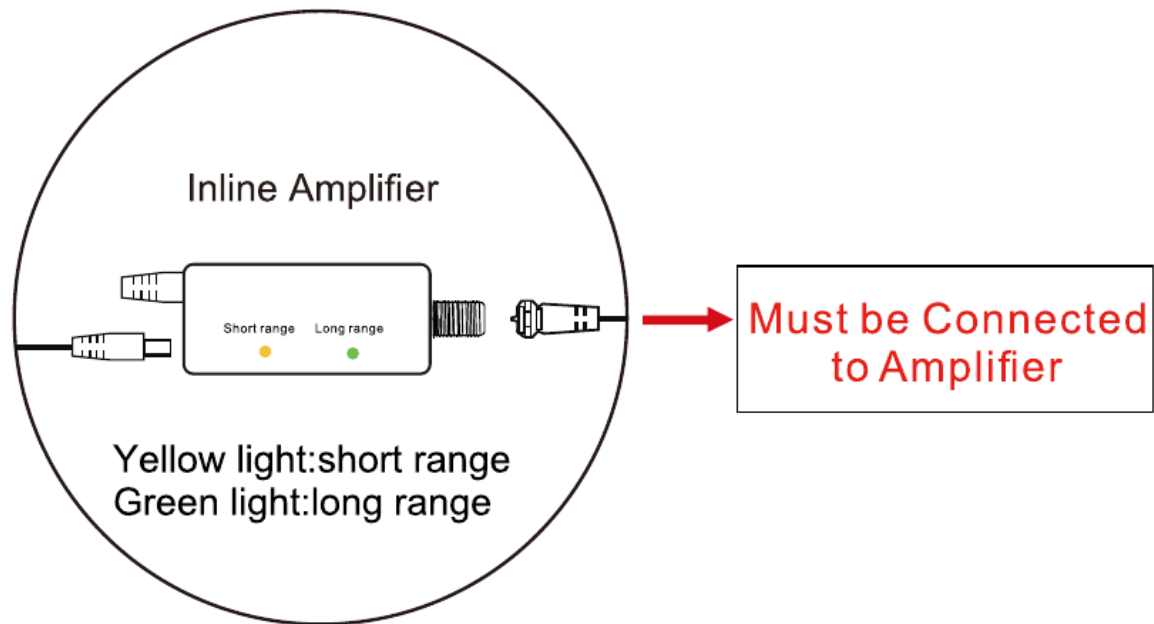
INDOOR/OUTDOOR HDTV ANTENNA SW216

([2BGYE-SW216](#))

Product Overview



1. Coaxial Cable
2. TV Antenna
3. USB Power Supply Cz
4. Coaxial Cable Port
5. Signal Booster
6. USB Adapter 5V
7. Screws*4PCS
8. Expansion screws*4PCS
9. Nylon cable ties*4PCS
10. Double sided adhesive tapes*2PCS
11. Positioning Card



Please keep rescanning after you adjust the amplifier

1. If your distance within 35mile,please choose short range;
2. If your distance more than 35mile,please choose long range.

Product Specification

1. Frequency:VHF(170-240Mhz)\UHF (470-860Mhz)
2. VSWR:Gain:<2.0
3. Impedence:75Q
4. Gain:30dB
5. Connectors:F or IEC Male
6. Polarization:vertical or horizontal
7. Power supply:USB Port(5V/30mA)

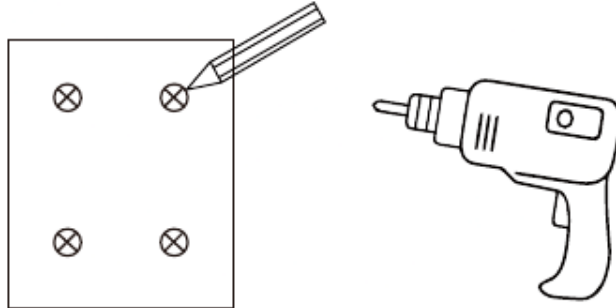
Antenna installation

Three Indoor/Outdoor Installation Ways

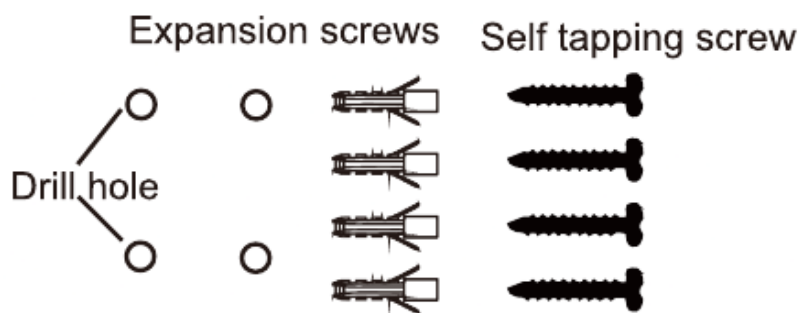
Installation1

Drill holes on the wall, install the antenna with screws.

- ① Use a marker to mark the hole position with the positioning card, then use electric drill to drill hole to install the antenna.



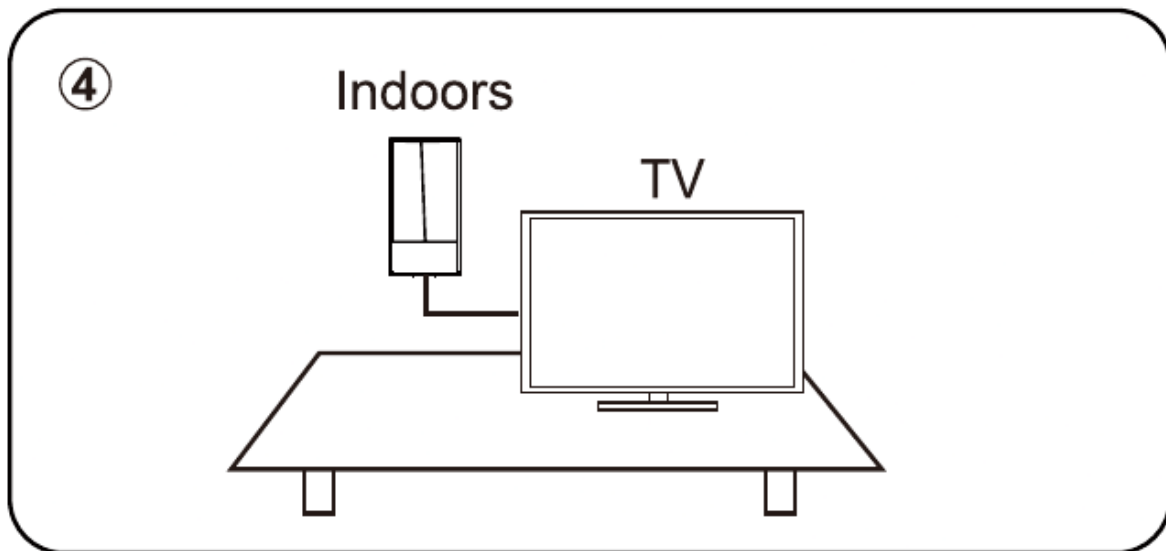
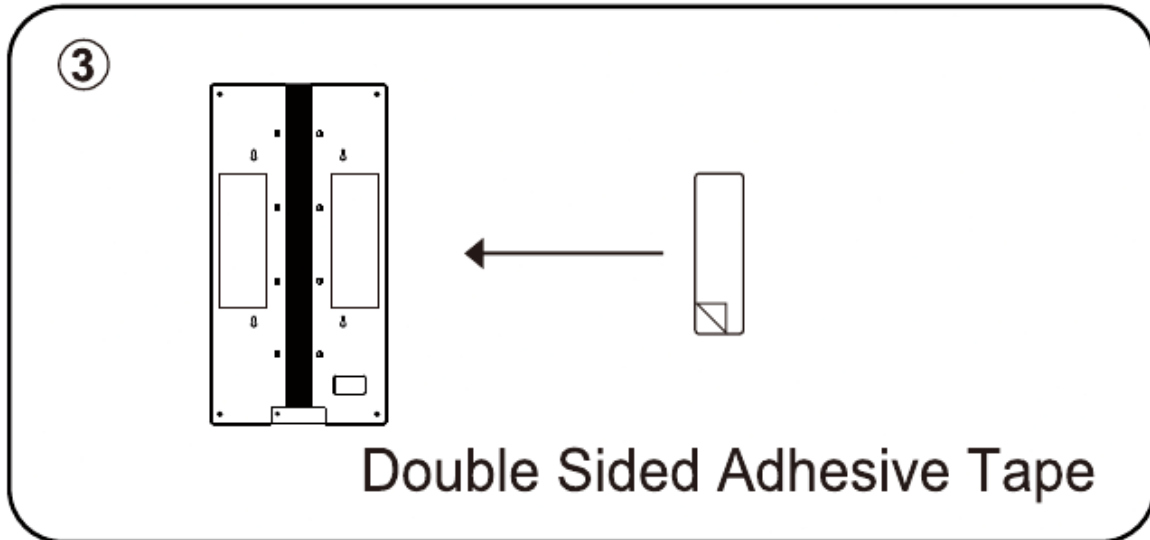
- ② Driving the expansion screw into holes, self tapping screw drive into the expansion screw.



Installation2

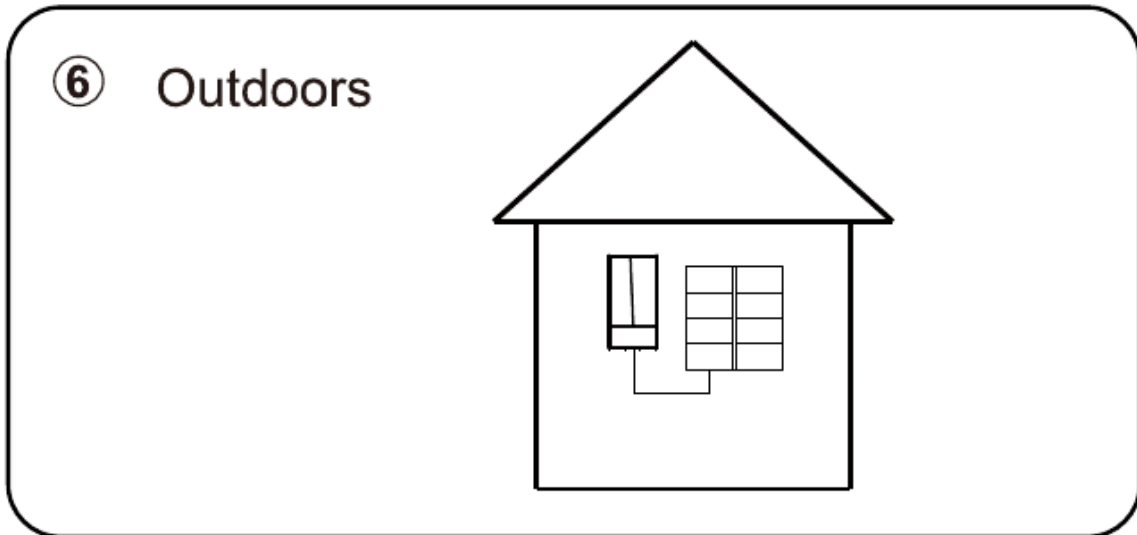
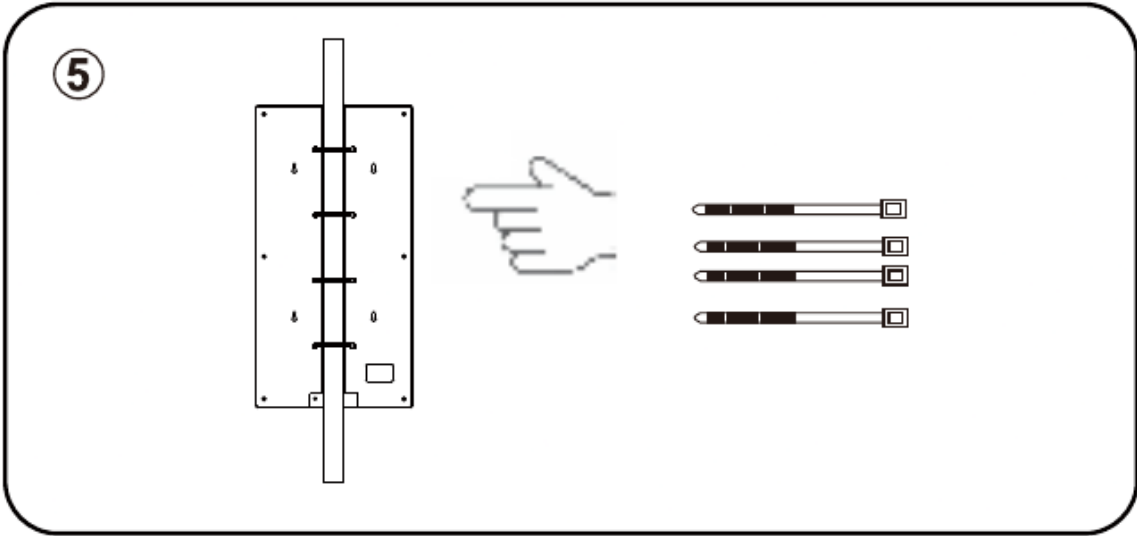
Use the double sided adhesive tape to install antenna on the wall

ATTACHING TO THE WALL



Installation3

Use nylon cable ties to secure the antenna to an outdoor shelf



Please keep rescanning channels after moving the antenna

Scenario Installation Example Diagram

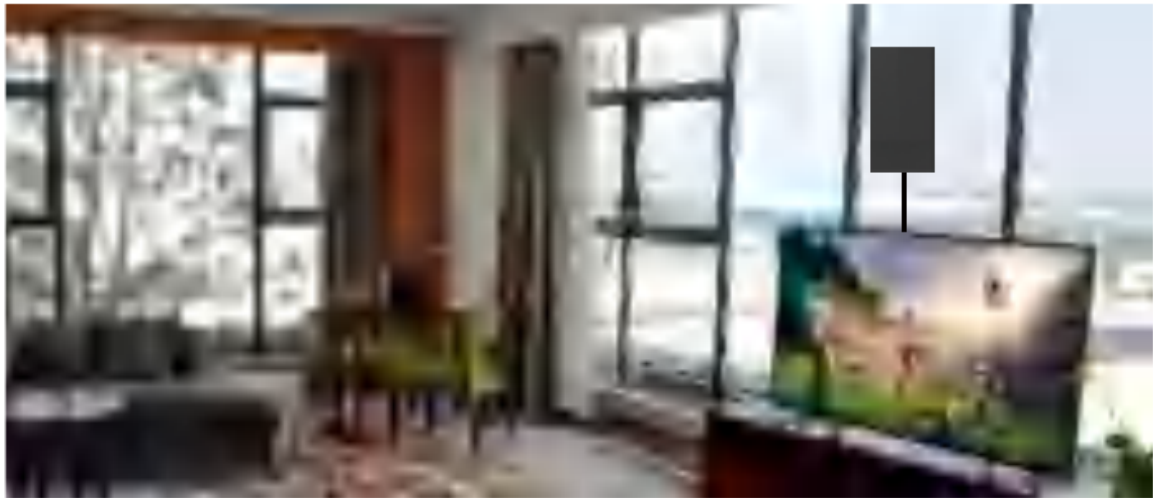
① External wall mounting



② Mounted on the roof



③ Inside of the window



④ Outside of the window



⑤ Outside of balcony



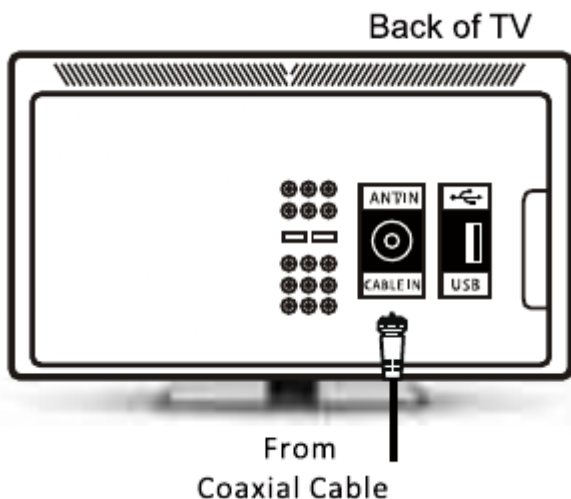
⑥ Stick on the wall



Connect Antenna to TV or Set-top Box

Step 1: Connect the coaxial cable to the ANT IN or CABLE IN port in the back of your TV.

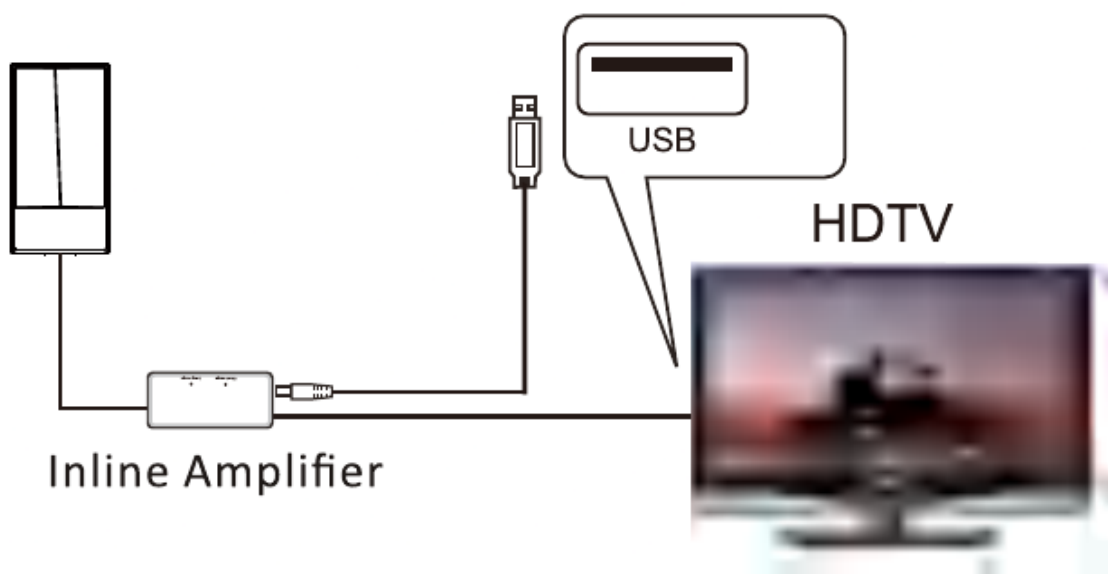
Note: For TVs that require a tuner box, connect the antenna coaxial cable to the tuner box's ANT IN port.



Step 2: Three set up choices (DPowered by TV's USB charging port

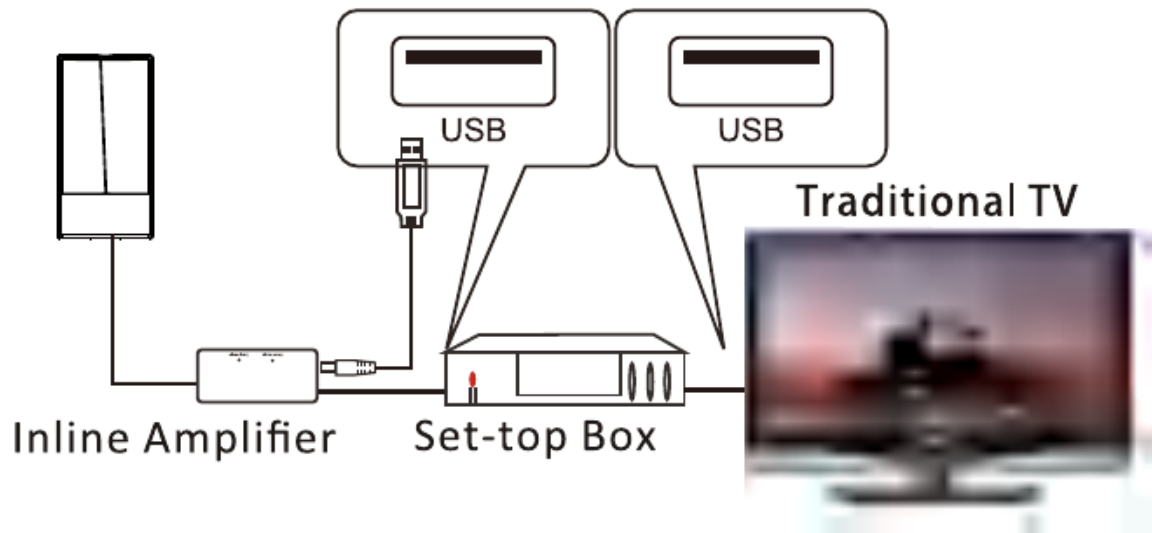
① Powered by TV's USB charging port

Digital Antenna



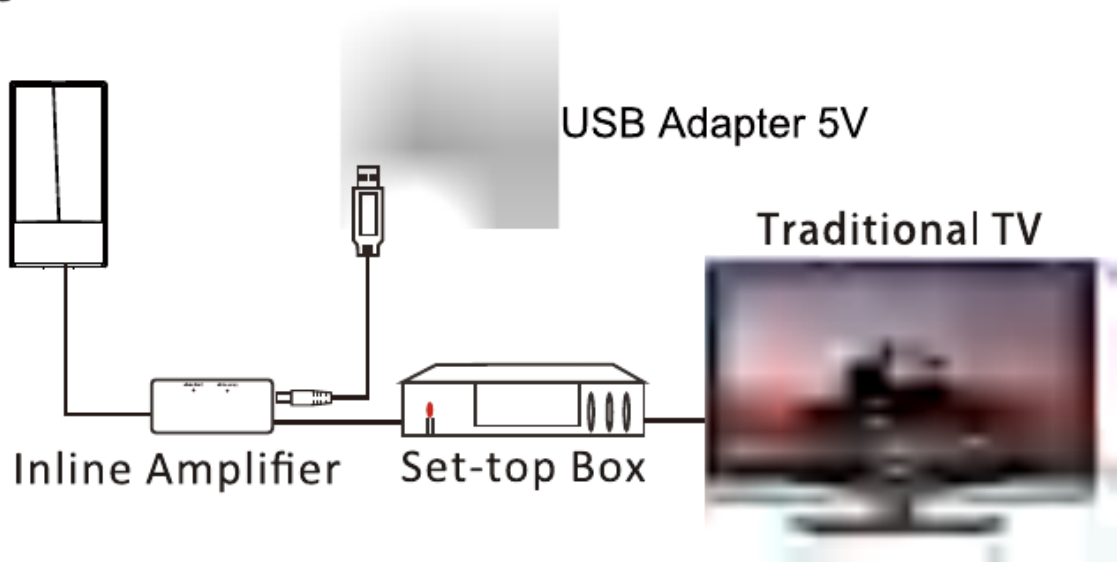
② Powered by Digital STB charging port

Digital Antenna



③ Powered by USB power adapter

Digital Antenna



Note:

1. Please place the antenna close to the window or higher location, even outdoors, to receive stable signal.
2. The USB power cable should use 100-240v power adapter.
3. The USB power cable can be plugged into an available USB port on the HDTV as well.

Step 3:

Find the best location for the antenna. Before connecting the antenna, select the best spot for optimum reception. Try as much as possible to avoid obstructions between transmitters and the antenna. The fewer obstructions, the stronger the digital signals you will receive.

Set up Guidance

1. In the TV setup menu, set the tuner mode to "Aerial" or "Air".
2. In the TV setup menu, set TV to scan channels, which can be listed as auto-program, auto-scan, channel search or channel scan.
3. If you can't receive channel or receive less channels with current range, please turn the amplifier to another range, and you should have to search again after switching.

Note:

- Please visit: nocable.org - dtvgovmaps.com - tvfool.com to check the distance between your house and the tv tower.
- If your house is less 35 miles away from tv tower, adjust the amplifier to "short range", rescan tv channels
- If your house is over 35 miles away from the tv tower, adjust the amplifier to "long range", rescan tv channels.
- It is recommended that place antenna to face the tv tower direction, it helps to receive better signal.

4. If the signal being received is weak, try moving the antenna to another location and rescanning the TV until an optimal position is found.

5. Mount the antenna at the optimal position.

Notice: If the TV can't receive any TV programs, please check the following points.

1. If the antenna is connected to the TV, make sure your TV comes with a HDTV tuner.
2. Correct connection between antenna and set-top box or TV.
3. Adjust the installation direction and position of the antenna.

Remark:

1. Please place the antenna close to the window or higher or even outdoors to receive stable signal

2. Reception quality and the numbers of channels received are dependent on multiple factors like distance from TV broadcast tower, broadcast power, line of sight, terrain, metal construction materials and other environmental factors.

3. Visit: nocable.org - dtvgovmaps.com - tvfool.com or other official tv signal website to see a list of channels that may be available in your area. If

[Manualsum](#)

you are near the tower with strong signal,within 35 miles,may no need to use amplifier version antenna.

Every time adjust Amplifier switches must be sure to re-scan the channel. (During normal operation, the indicator light will light up.)

Note: for the best reception,please check the following tips

1. Please make sure your TV has a HDTV Tuner. Some old tvs come without a tuner, it's suggested you buy a Digital Converter Box.
2. Not all digital signals are High Definition.Ensure your TV has Digital HD receiver otherwise no HD channels can be viewed
3. Please try to place the antenna on higher location, likes wall/close to windows/outside without trees,buildings etc.
4. If your received signal is not stable, changing the antenna direction again,whether the installation direction is horizontal or vertical. Keep always rescan for channels after moving the antenna.
5. TV reception capacity depends on the distance among your home, transmitting tower and surrounding environments.
6. Signal reception will vary based on factors like broadcast tower geography location/hills/buildings and even tall trees, which all will impact the signal reception.
7. Most house with metal roofs and awnings will not benefit to this antenna.
8. Keep the antenna away from any sources of interference; keep the antenna away from those big power consumption devices,such as air conditioner/elevator/hairedryer/microwave/oven.etc.
9. Keep away from some appliances that use resistive load such as Electronic oven/Heater/Electric cooker/Electric microwave/electric blanket and soon.
10. If you still cannot receive the channels by tv antenna, please contact us, we will help you until the problem is solved.

The contact way is: Your account —Your orders —Orders —select your order ID —Contact seller.

Shenzen BITECA TV Antenna User Manual