

[Q21 Wireless Karaoke Microphone & Speaker User Manual](#)

[Manualsum](#), simplified manuals

Table of Contents

- [Q21 Wireless Karaoke Microphone & Speaker User Manual](#)
 - [Features](#)
 - [Product Parameter](#)
 - [Speaker Accessories](#)
 - [Function Operation Diagram and Description](#)
 - [Speaker button operation](#)
 - [Operation Guide](#)
 - [Precautions:](#)

Q21 Wireless Karaoke Microphone & Speaker User Manual

Q21 Wireless Karaoke Microphone & Speaker User Manual

([2BG78-Q21](#))



Features

1. Support Bluetooth Music Playback Function
2. Support Bluetooth Connection Function
3. Smart Assistant (Optional)
4. Support Different Colors of Lighting Control
5. Support TF Card, Auxinput, FM Radio
6. The Support Capacity does not exceed 32G

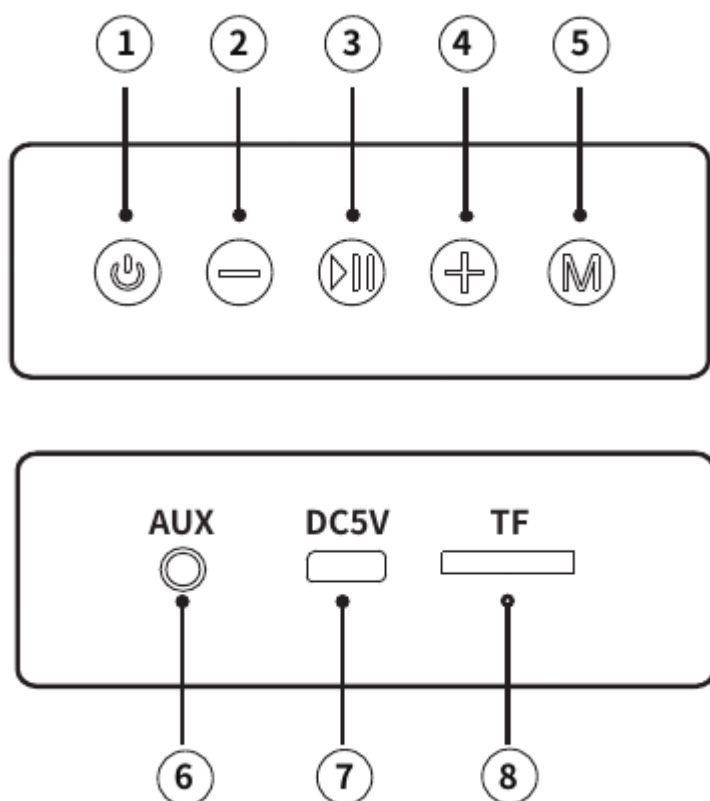
Product Parameter

Bluetooth Version	5.1
Related input	DC5V === 1A
Speaker Specification	4Ω / 6W
Signal to Noise Ratio	≥90db
Frequency Response Range	80Hz-20KHz
Bluetooth Distance	≤10m
Speaker Size	97x97x80mm (Not Including Portable)

Speaker Accessories

- x1 Bluetooth speaker
- x1 Usb charging Cable
- x1 User guide

Function Operation Diagram and Description



Speaker button operation

1. Power button: long press to turn on/off; short press to switch lights
2. — key: short press volume down; long press previous song
3. Play pause key: play/pause
4. + key: short press the volume up; long press the next song
5. M key: switch Bluetooth, TF card, FM mode (Note: TF card mode must be connected to the corresponding device)
6. AUX interface
7. TYPE-C charging port
8. TF card interface

Operation Guide

1. Bluetooth mode: long press on/off button to turn on, machine Bluetooth pairing name: szouB0-Q21. longpress = / + key to control music tracks, short press — / + key to control music volume increase and decrease, Short pjl key to control music pause/play. Shortpressthe M key to switch modes: Bluetooth/ FM/TF card mode.
2. TF card mode: insert the TF card, the music in the TF card will be played automatically, long press — / + key tocontrol music tracks, short press — / + key to control music volume increase and decrease, short press — / + key to control music pause/play.
3. FM mode: Press the M key to switch to the radio mode. short pressthe Bl key to automatically tunein, long press — / + key to control [the up sum](#)

and down, short press the — / + key to control the volume up and down.

4. Lighting control: short press the on/off button after power on to switch the color display of the light effect.
5. AUX input: insert the 3.5mm audio plug, it will automatically switch to AUX input mode short press — / + key to control the music volume increase and decrease
6. Speaker charging indicator light, the red light is always on when charging and the light is off when fully charged.

Precautions:

- a. Do not expose this product to rain or humidity
 - b. Do not disassemble, repair or modify this product by yourself
 - c. Please store and use this product in a normal temperature environment
 - d. Do not drop it to avoid damage to the product due to the drop
 - e. Please use the power supply with the rated voltage of the speaker to charge
 - f. Unauthorized disassembly will invalidate the warranty
 - g Exposure to high volume for a long time may cause hearing damage and the volume should be avoided too high
1. Note: If the battery is replaced improperly, there is a risk of explosion and only the same type or equivalent type of battery can be used to replace it
 2. A warning that the battery should not be exposed to excessive heat such as sunlight, fire or the like

“Due to the continuous improvement of technology or product upgrade, the company has the right to modify the product style specifications, technical parameters, packaging color box, and the content of the manual without prior notice

Q21 Wireless Karaoke Microphone & Speaker User Manual