

Shenzhen Epoch EBS-618 Wireless Speaker User Manual

Manualsum, simplified manuals

Table of Contents

- [Shenzhen Epoch EBS-618 Wireless Speaker User Manual](#)
 - [Product diagram:](#)
 - [Operating Instructions](#)
 - [Wireless Pairing](#)
 - [Music playback](#)
 - [Call answering and dialing operation](#)
 - [TF card](#)
 - [The use of colorful lighting effects](#)
 - [wireless speaker charging](#)
 - [Switch between wireless mode and TF card and usb disk mode](#)
 - [To reboot the speaker](#)
 - [Important safety information](#)
 - [List of packaged items](#)

Shenzhen Epoch EBS-618 Wireless Speaker User Manual

Shenzhen Epoch EBS-618 Wireless Speaker User Manual

Shenzhen Epoch Development Electronics Bluetooth speaker User Manual

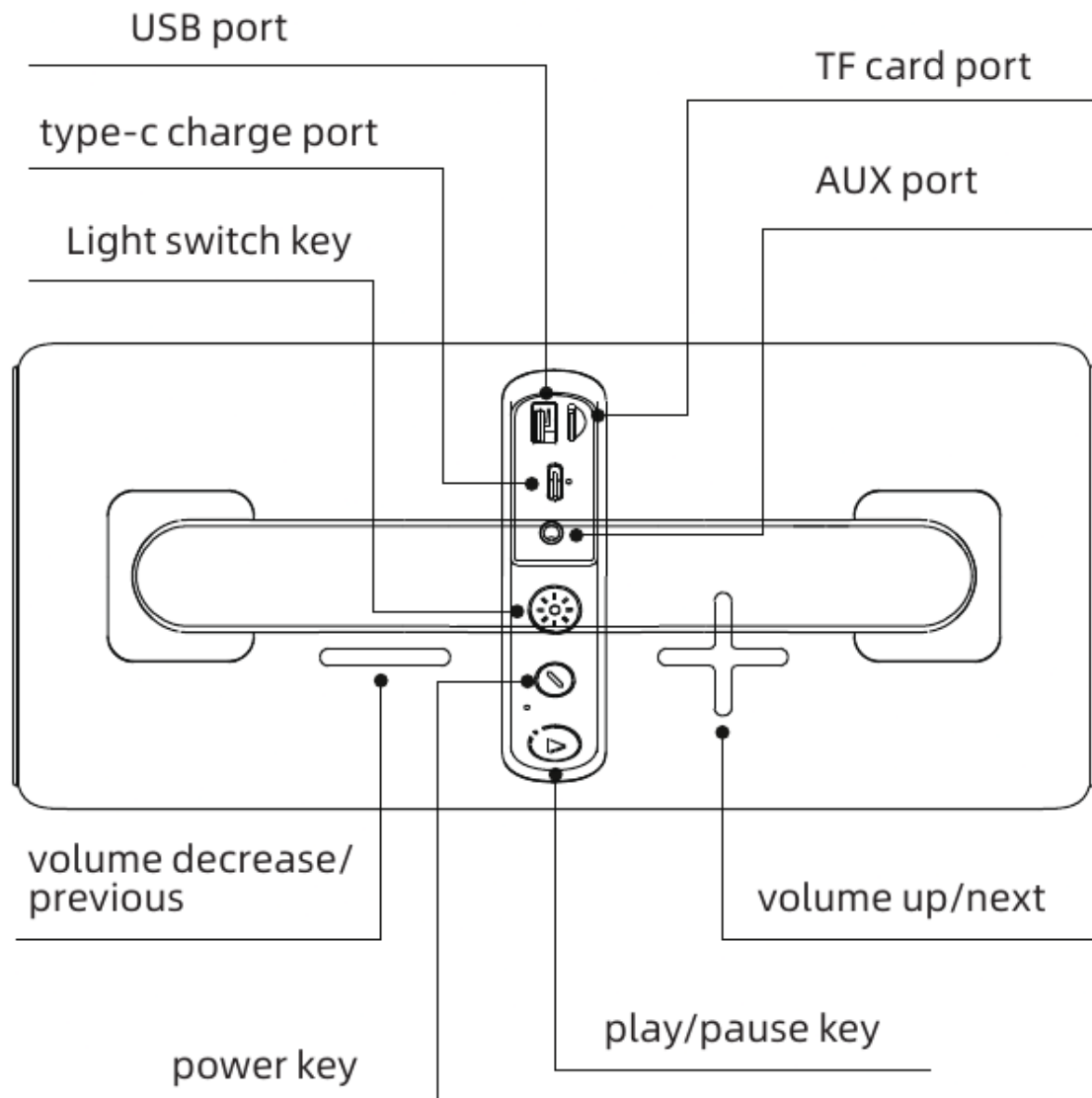
FCC id: [2ADLFEBS-618](#)

EBS-618



Thanks for your support for ordering our wireless speaker and this manual will better help you use the wireless speaker. Before using the wireless speaker, please carefully understand the wireless functions of your play device.

Product diagram:



Operating Instructions

Wireless Pairing

1. Long press the power button of the wireless speaker after it is turned on, there will be pure signal music prompt tone 'wireless mode', the LED blue light will flash quickly, which signifies that the speaker is entering the bluetooth searching state, which can be searched.
2. Turn on the wireless on your mobile phone or other devices, search for the wireless name of EBS-618, and click to pair.
3. After successful pairing, there is the pure music prompt tone, the LED light of the bluetooth speaker will be always on and will flash slowly after playing music.
4. Long press the playback pause button to disconnect the mobile phone or other wireless devices from the wireless speaker.

5. When pairing with TWS, you need to turn on 2 speakers at the same time, long press and hold any playback pause buttons and after a few seconds, the two speakers are paired successfully, the blue light of the main unit flash quickly and the blue light of the auxiliary unit is always on. After the mobile phone or other wireless device is paired, the blue light of the main unit will flash slowly.
6. After TWS pairing, long press any power button of the speakers will disconnect the working main unit and automatically switch to the speaker which is still working. TWS pairing will automatically succeed If turn it on again..
7. After TWS pairing, long press the playback pause key of the auxiliary unit will cancel the TwS paring between the main unit and auxiliary unit. If long press the playback pause key will pair with the main unit again; if long press the playback pause key of the main unit, it will also disconnect the TWS pairing with the auxiliary unit. It will be the same operation to restart the TWS pairing with the auxiliary unit; if long press the playback pause button a second time to disconnect with the bluetooth device, it will turn it on to pair. As for the auxiliary unit, it also needs to long press the playback pause key to pair.

Music playback

1. Click the playback pause key to play or pause the music.
2. Click the plus and minus keys to increase and decrease the volume. Long press the plus and minus keys to switch between the next song.

Call answering and dialing operation

1. After pairing with the bluetooth device successfully, double-click the playback pause button of the speaker to call back the last phone call dialed out and short press to hang up.
2. After the wireless speaker is successfully paired, when there is a call coming, long press the playback pause button to reject it; short press to answer it and press it again to hang up after answering.

TF card

1. When the TF card is put into the card slot, when there is the pure music prompt, the blue light will flash slowly, the bluetooth speaker will automatically play the music in the TF card. The bluetooth speaker will automatically read the audio files in the TF card and the user can control the music via the buttons.

The use of colorful lighting effects

1. Long press the light effect switch to turn on and off the light effects and short press it to switch between the kinds of different colorful light modes, a total of 11 kinds.

wireless speaker charging

1. Use the configured charge cable to charge, and the charge voltage is DC 5V. When it is charged, the red lights will stay on. When it is fully charged, the red light will turn off.

Switch between wireless mode and TF card and usb disk mode

1. After connecting to wireless and inserting the TF card or usb disk, click the mode key to switch between the different modes.

To reboot the speaker

1. The speaker can automatically reboot after insert any corresponding charge cable to the charge slot.

Important safety information

1. Before using the bluetooth speaker, you need to ensure to conform to the following basic safety tips to use it in safely and reliably:
2. Read and understand all the safety tips.
3. Please use the charge equipment which can provide the output voltage DC 5V/ 1A to avoid damage.
4. The speaker uses the built-in lithium battery, so please turn it off when you do not use it.
5. Do not put the speaker near the high temperature heat source. Do not grill or blow dry at high temperature.
6. Do not let the speaker fall or be hit hard, or to put heavy pressure on it.

List of packaged items

The box contains the following items, please contact us if something is missing :

1. unit of speaker
2. piece of usb charge cable
3. copy of manual

Shenzhen Epoch EBS-618 Wireless Speaker User Manual