

[Flanger Guitar wireless system User Manual](#)

[Manualsum](#), simplified manuals

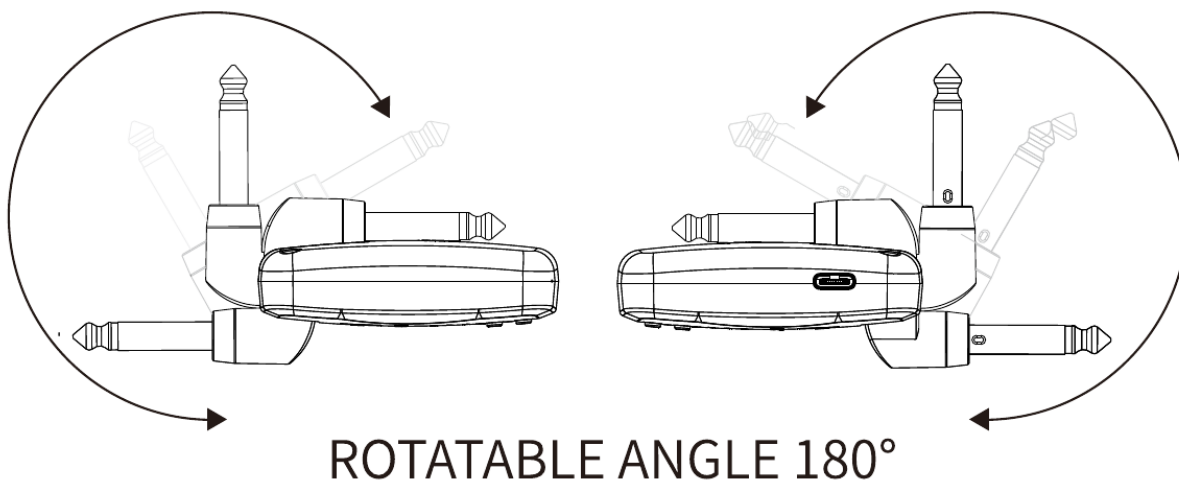
Table of Contents

- [Flanger Guitar wireless system User Manual](#)
- [Wireless Transmitter and receiver](#)
- [DIMENSION](#)
- [PARAMETER](#)
- [FUNCTION INTRODUCTION](#)
- [CHARGING ILLUSTRATION](#)
- [INSTALLATION ILLUSTRATION](#)
- [MATCHING WAY OF WIRELESS SYSTEM](#)

Flanger Guitar wireless system User Manual

Wireless Transmitter and receiver

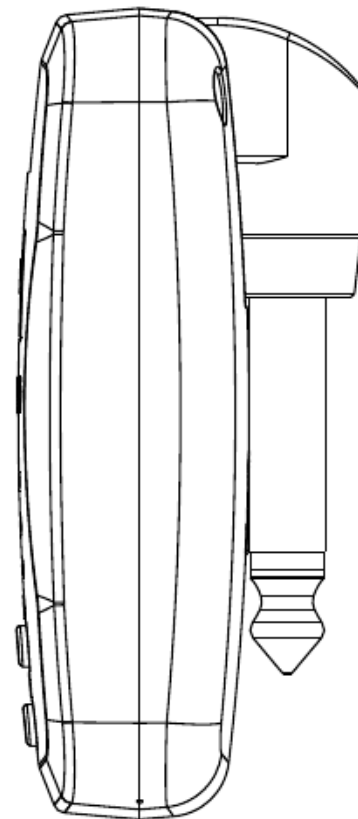
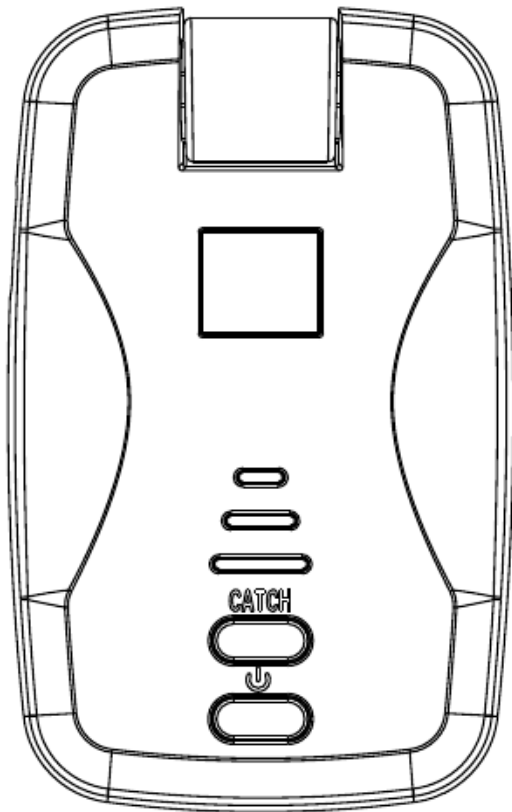
The system adopts the “Silent Jack” Designed with Patent, which is to avoid the interference of the Electromagnetism and Noises, Clear sound output, No Noise No Electrical Buzz, effectively refrain from the Shock-wave noise and the damage for the Instruments.



DIMENSION

42mm

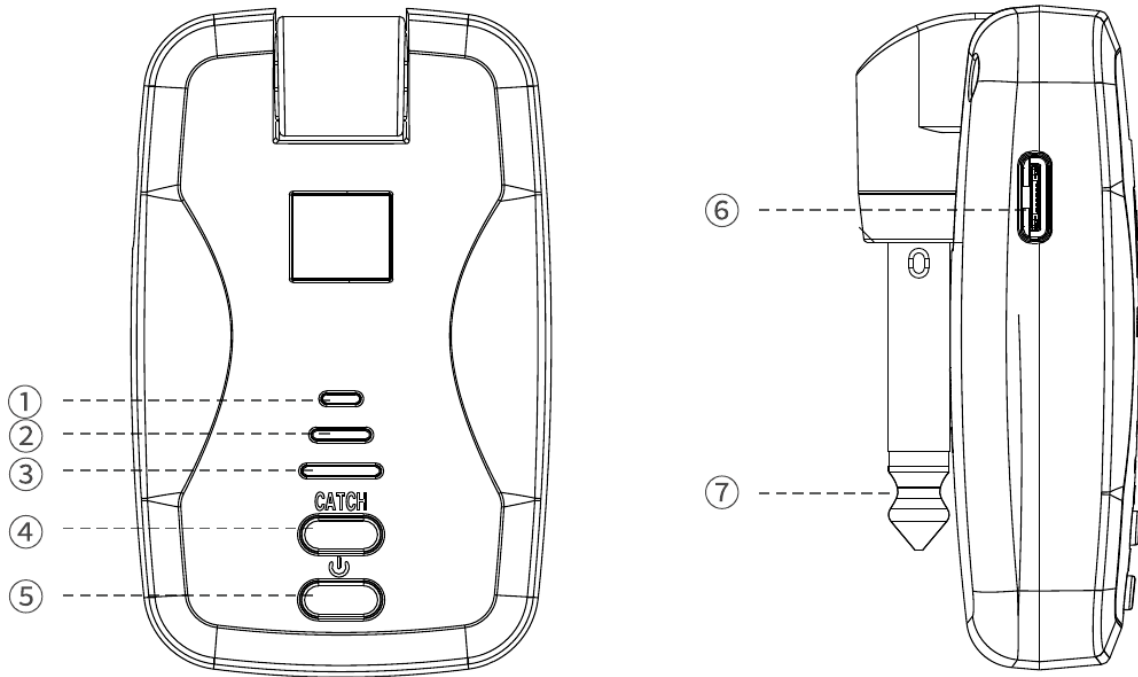
28.5mm



PARAMETER

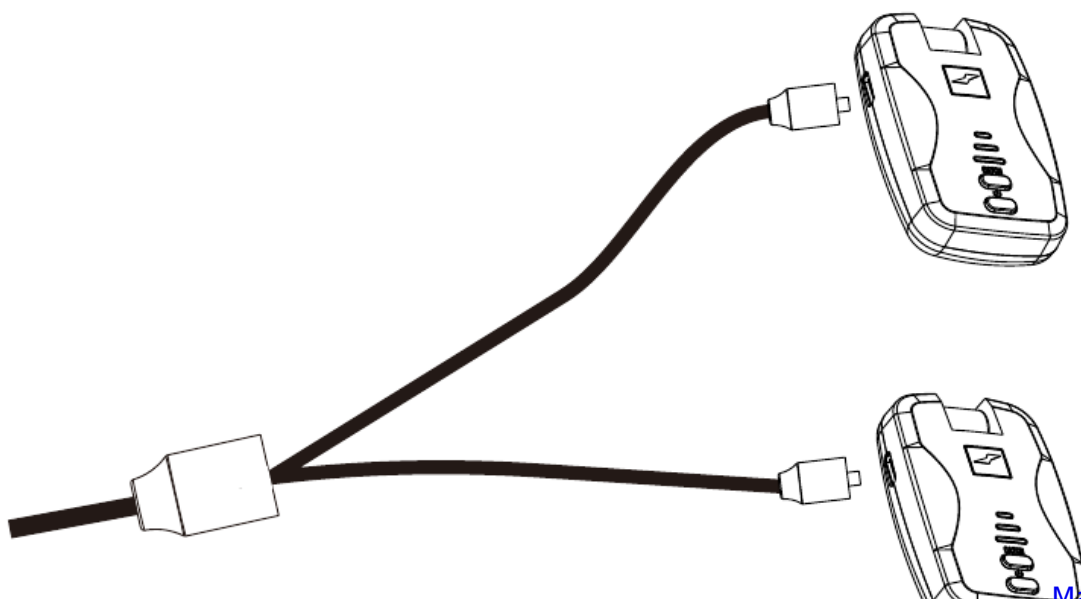
1. Sample Rate and Accuracy: 48kHz/16bit
2. Effect Distance: 30m
3. Latency Time: <5ms
4. Frequency Response Range: 20Hz-20kHz
5. Distortion: <0.02%
6. Channel: 18
7. Way of Anti-interference: Intellectual Frequency Modulation
8. Frequency: 2.4 GHz ISM worldwide
9. Endurance: 6 hours
10. Range For: All kinds of Musical Instruments

FUNCTION INTRODUCTION



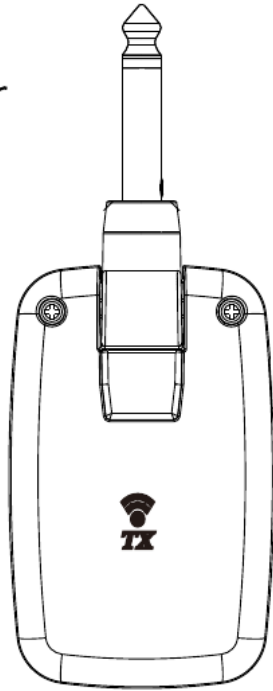
1. **The light of Signal Matching** : The light will be on when it' s matched successfully.
2. **Power Light**: The light will be on when the system is working.
3. **Charging**: The light will be red when it' s charging.
4. **CATCH**: For Matching.
5. **POWER**: Press and hold for seconds to turn on/off the system.
6. **Type-C**: Charging socket
7. **6.35mm connector**: silent design and patent application

CHARGING ILLUSTRATION

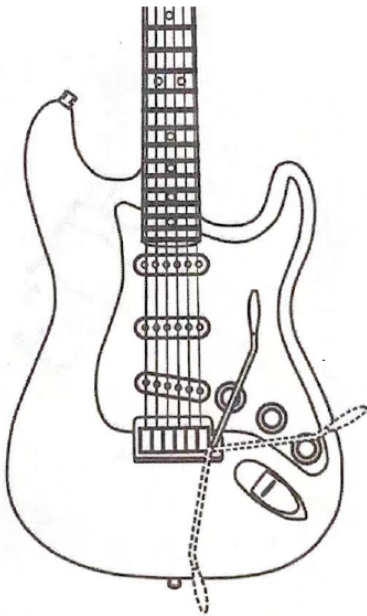
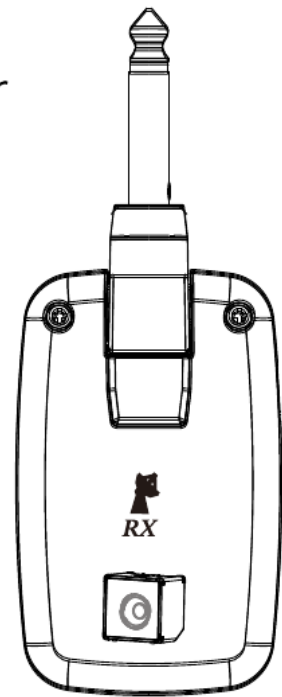


INSTALLATION ILLUSTRATION

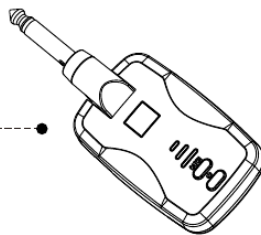
Transmitter



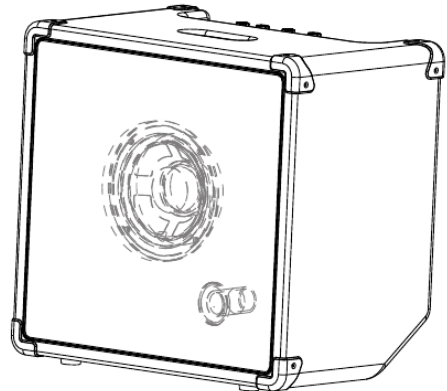
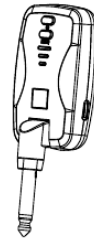
Receiver



Transmitter



Receiver



MATCHING WAY OF WIRELESS SYSTEM

Press and hold both of the Transmitter and Receiver for seconds, then press and hold of “Catch” of the Transmitter till the light is sparkling, then it” ll be in the matching condition, it’s been matching successfully when the matching light is on.