

[Bird Feeder Camera User Manual](#)

[Manualsum](#), simplified manuals

Table of Contents

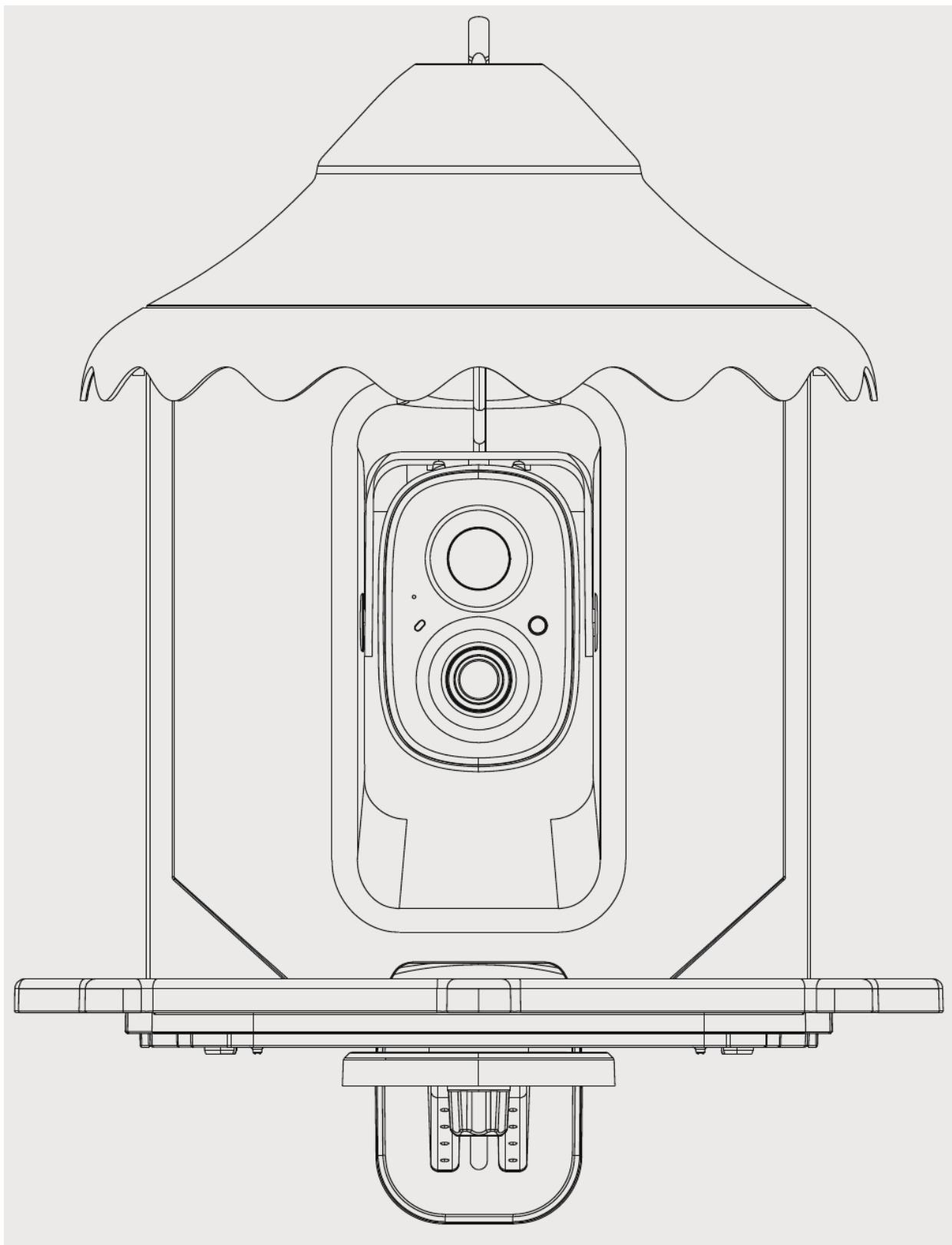
- [Bird Feeder Camera User Manual](#)
 - [Warning](#)
 - [What's In The Box](#)
 - [Camera Structure](#)
 - [Insert Micro SD Card](#)
 - [Assemble Bird Feeder Cam](#)
 - [Battery Charging](#)
 - [How To Turn On & Off The Camera](#)
 - [Read Before Installation](#)
 - [Set Up With VicoHome App](#)
 - [Installation](#)
 - [Wall Installation:](#)
 - [Tree Installation:](#)
 - [Stand Installation:](#)
 - [Pole Installation — Hose clip](#)
 - [Cleaning Bird Feeder Cam](#)
 - [How to Add Bird Seed](#)
 - [Buckle](#)
 - [Status Light](#)
 - [AI Bird Recognition](#)

Bird Feeder Camera User Manual

Bird Feeder Camera User Manual

SHENZHEN GENERAL TECHNOLOGY Bird Feeder Camera User Manual

([2AXEK-N002](#))



Warning

NOTE: This equipment has been tested and found to comply with the limits for a Class B digital device, pursuant to part 15 of the FCC Rules. These limits are designed to provide reasonable protection against harmful interference in a residential installation. This equipment generates uses and [Manualsum](#)

can radiate radio frequency energy and, if not installed and used in accordance with the instructions, may cause harmful interference to radio communications. However, there is no guarantee that interference will not occur in a particular installation. If this equipment does cause harmful interference to radio or television reception, which can be determined by turning the equipment off and on, the user is encouraged to try to correct the interference by one or more of the following measures:

- — Reorient or relocate the receiving antenna.
- — Increase the separation between the equipment and receiver.
- — Connect the equipment into an outlet on a circuit different from that to which the receiver is connected.
- — Consult the dealer or an experienced radio/TV technician for help.

The antennas used for this transmitter must be installed to provide a separation distance of at least 20cm from all persons and must not be co-located for operating in conjunction with any other antenna or transmitter.

FCC (USA) 15.9 prohibition against eavesdropping except for the operations of law enforcement officers conducted under lawful authority, no person shall use, either directly or indirectly, a device operated pursuant to the provision of this part for the purpose of overhearing or recording the private conversations of other unless such use is authorized by all of the parties engaging in the conversation.

Changes or modifications not expressly approved by the party responsible for compliance could void the user's authority to operate the equipment.

IC Caution:

— English: This device contains licence-exempt transmitter(s)/receiver(s) that comply with Innovation, Science and

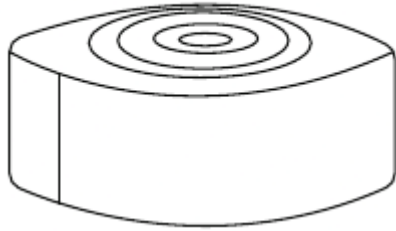
Economic Development Canada's licence—exempt RSS(s). Operation is subject to the following two conditions:

This device may not cause interference.

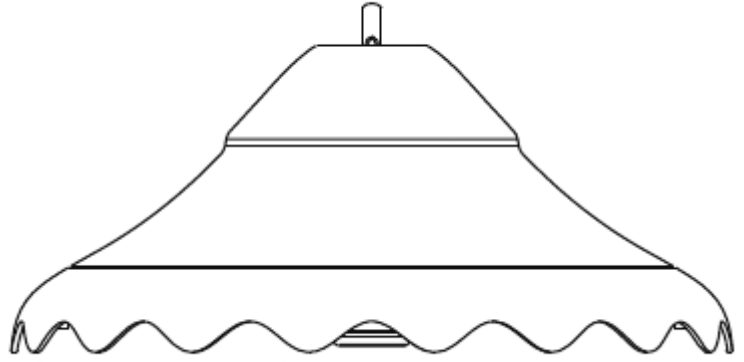
This device must accept any interference, including interference that may cause undesired operation of the device.

CE RED This product can be used across EU member states.

What's In The Box



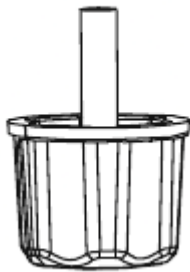
Black Strap



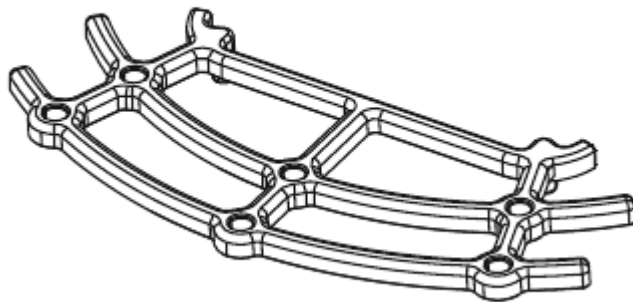
Roof



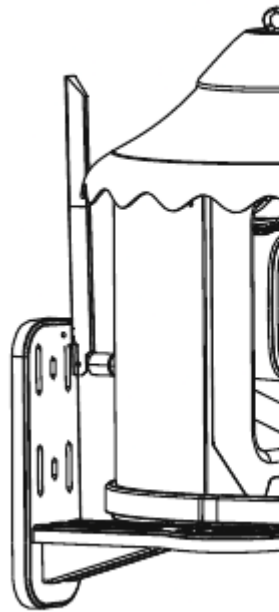
Mourning



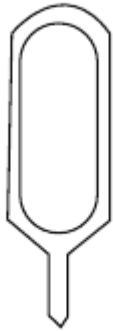
Perch Screw



Perch



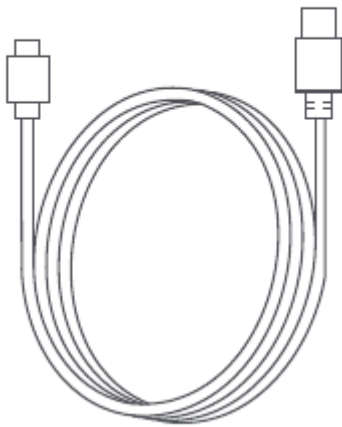
Bird Feeder



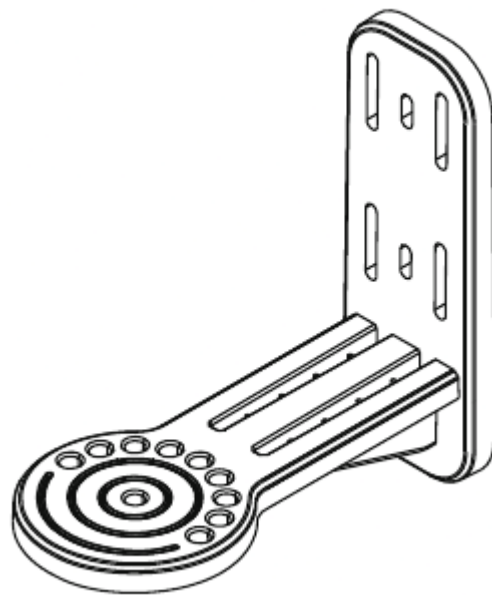
Ejector Pin



Quick Guide

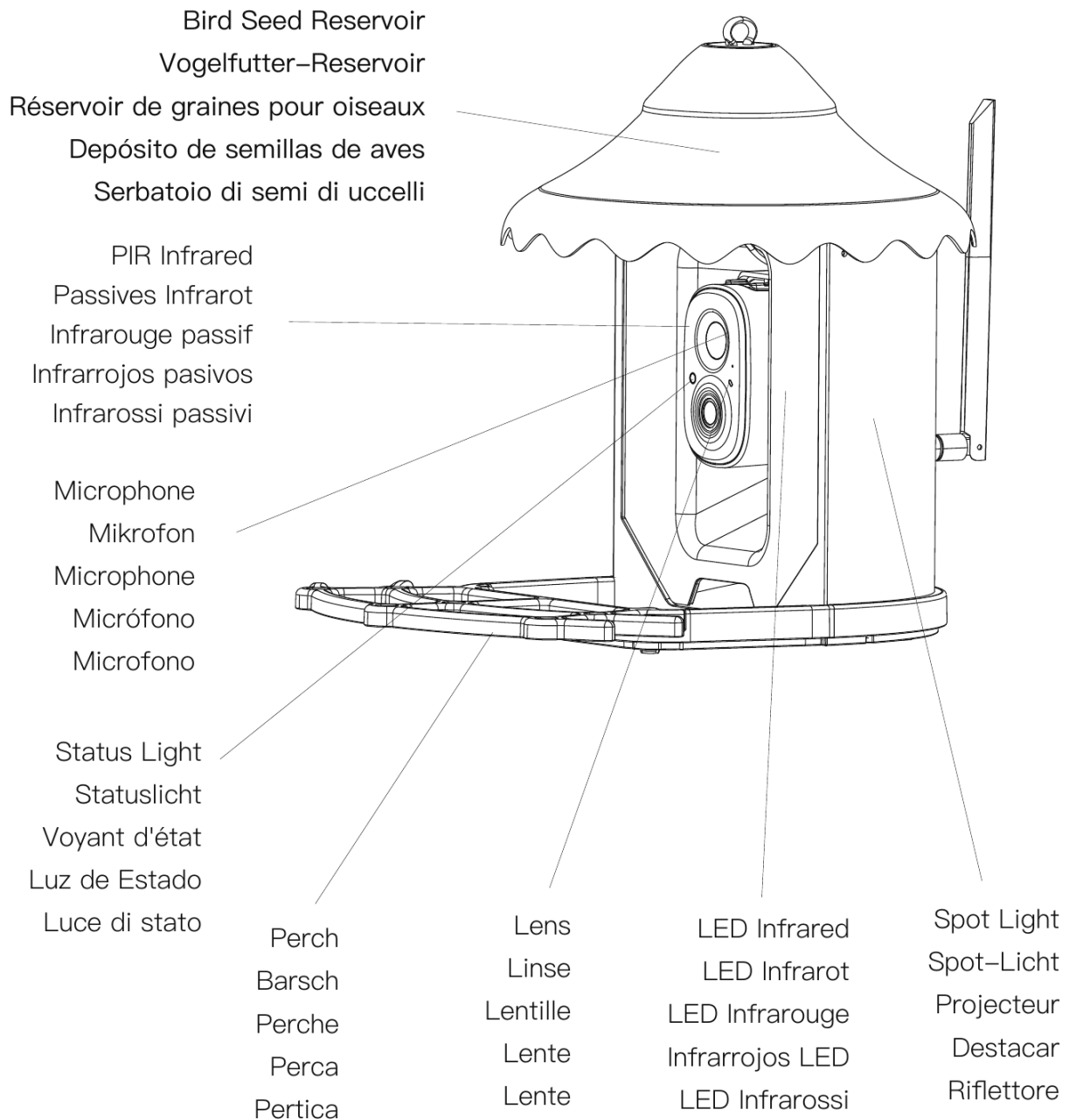


Type C Power Cable



Mounting Bracket

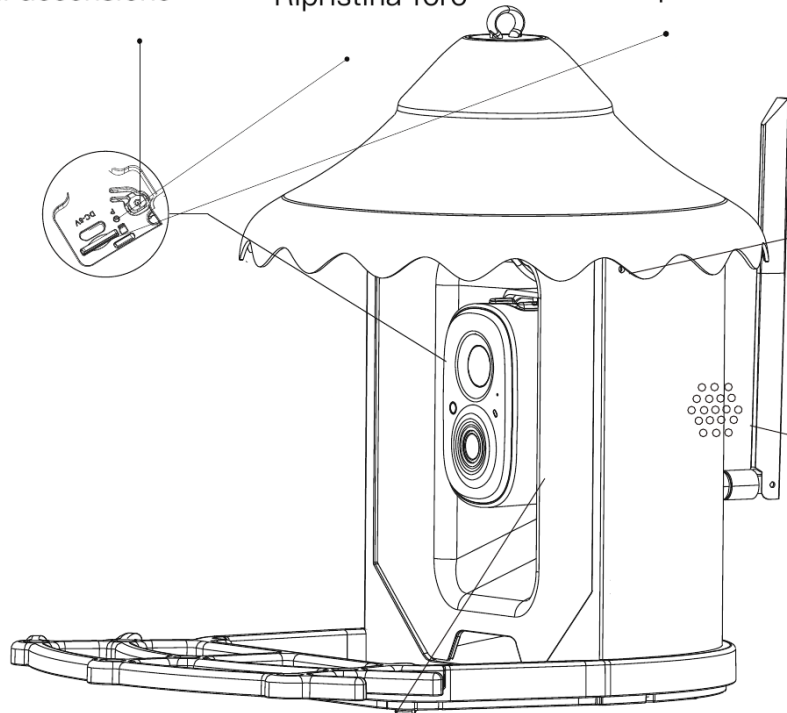
Camera Structure



Power Button
Netzschalter
Bouton marche
Botón de encendido
Pulsante di accensione

Reset Button
Loch zurücksetzen
Réinitialiser le trou
Restablecer agujero
Ripristina foro

Micro SD Card Slot
Micro SD-Kartensteckplatz
Emplacement pour carte micro SD
Ranura para tarjeta micro SD
Slot per scheda micro SD

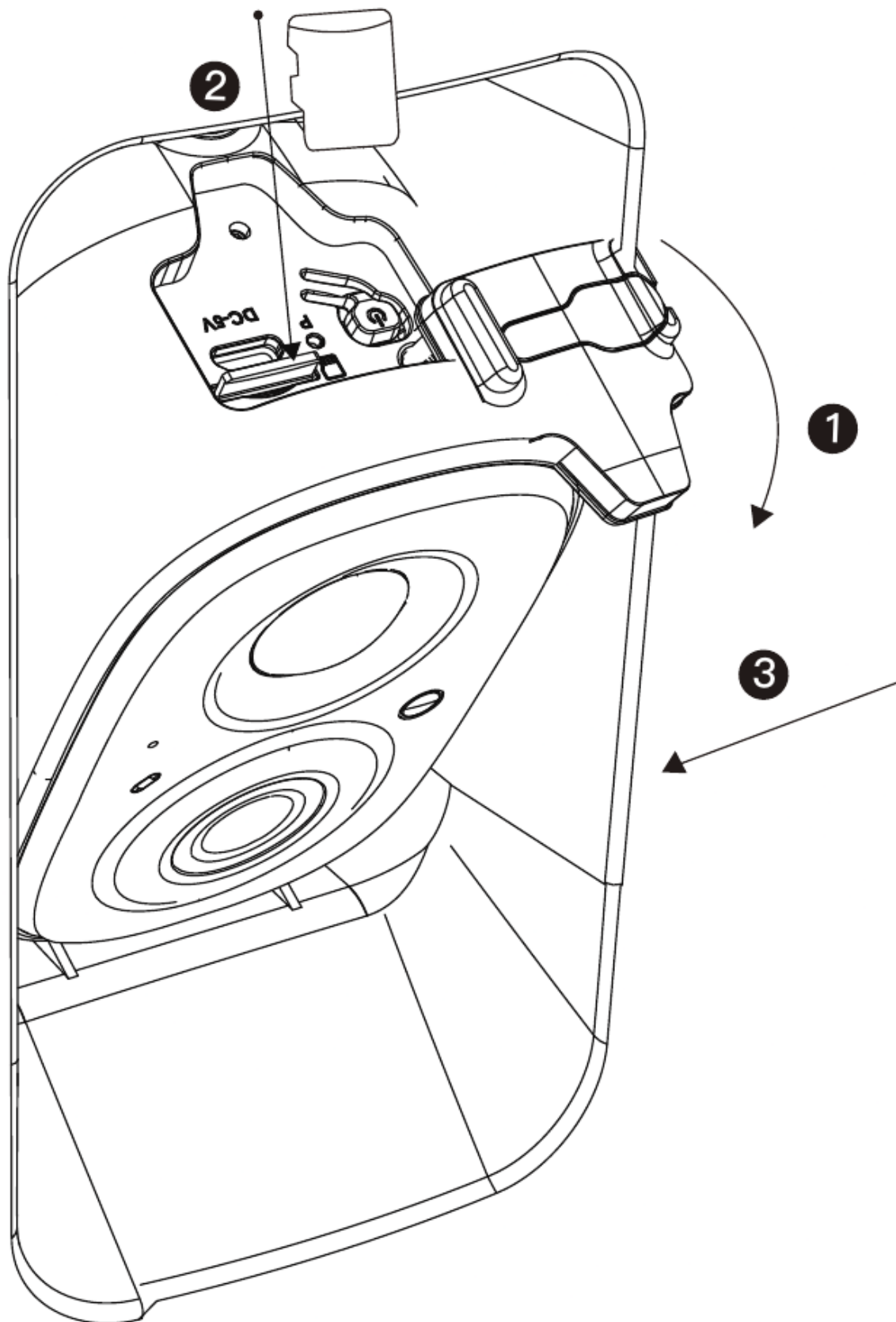


Antenna
Antenne
Antenne
Antena
Antenna

Speaker
Lautsprecher
Orateur
Orador
Altoparlante

Camera Direction
Adjuster
Einstellung der
Kamerarichtung
Ajusteur de
direction de caméra
Ajustador de
dirección de la cámara
Regolazione della
direzione della telecamera

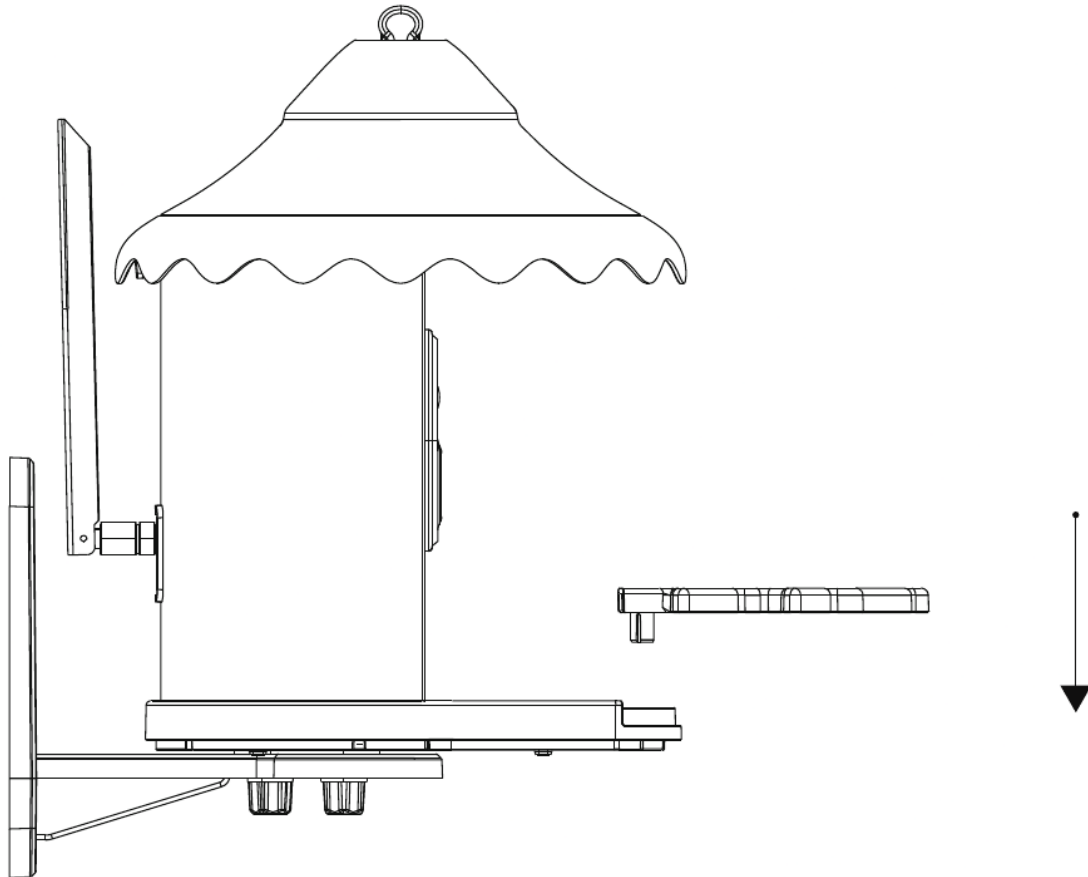
Insert Micro SD Card



Bird Cam comes with a built-in card slot which supports up to 128GB Micro SD card.

- **Step 1:** Rotate the camera down to the bottom.
- **Step 2:** Open the top silicone plug. Insert the Micro SD card. Make sure to plug it in the right direction.
- **Step 3:** Finally, Cover silicone plug.

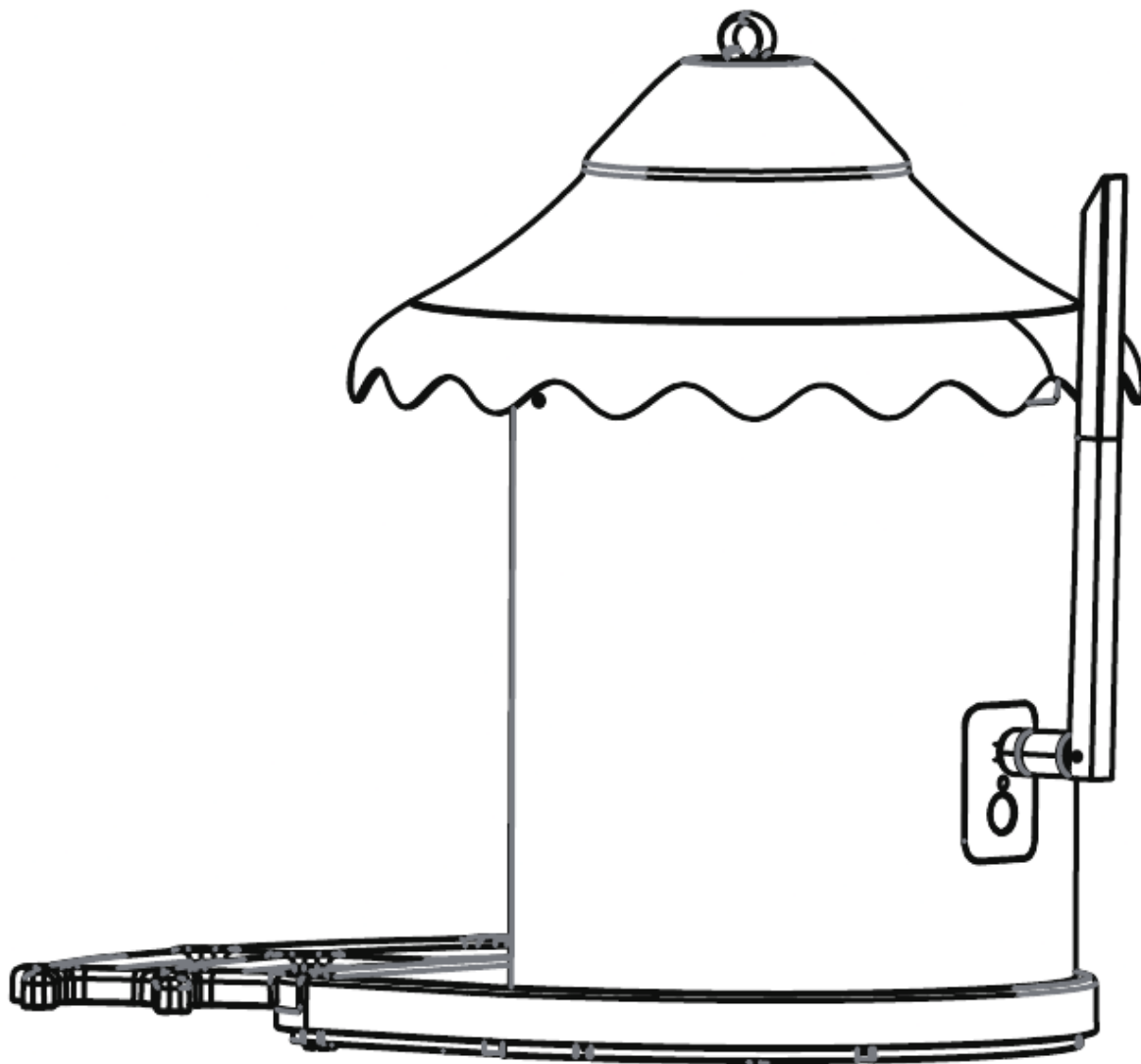
Assemble Bird Feeder Cam



Assemble Perch

Use the provided perch screw to install the perch.

Battery Charging



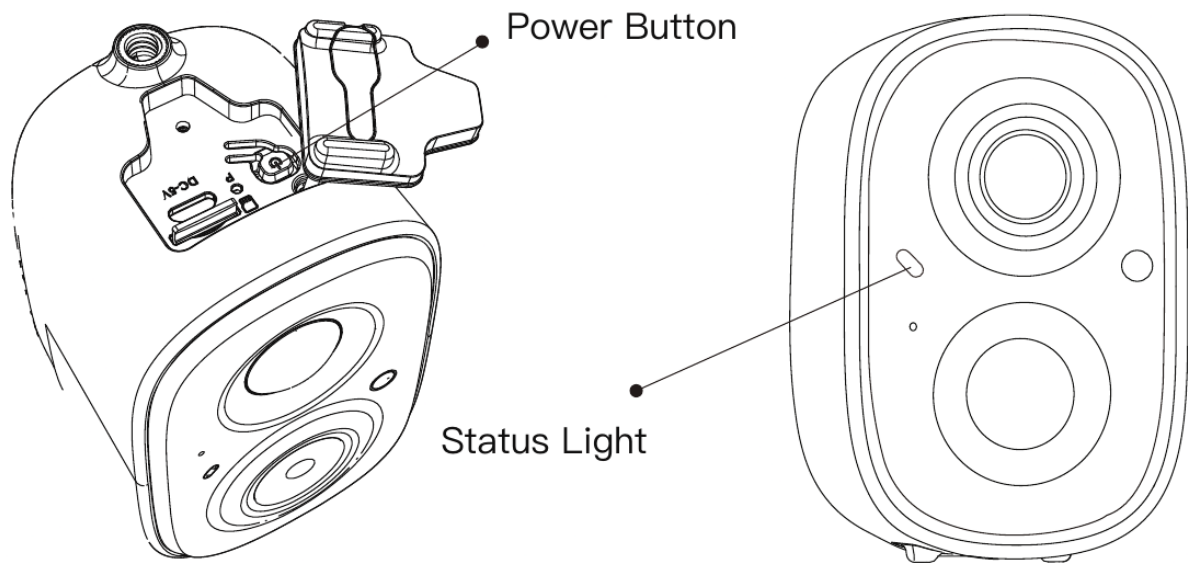
The batteries inside the camera are not fully charged according to the transportation safety regulations. Please fully charge the camera before using it. Please charge the batteries with provided Type C Port Cable (DC5V/1.5A adapter not included). The status light will be in solid yellow when charging, and will turn to solid green when it is fully charged. It takes about 14 hours to fully charge your camera.

How To Turn On & Off The Camera

To turn on the camera:

Long press the power button for 3s to turn on the camera. Then the Status

Light in the front of the camera will be solid blue. Double click the power button to enter WiFi mode after the prompt tone.



To turn off the camera:

Long press the power button for 3s to turn off the camera. Then the Status Light in the front of the camera will be off.

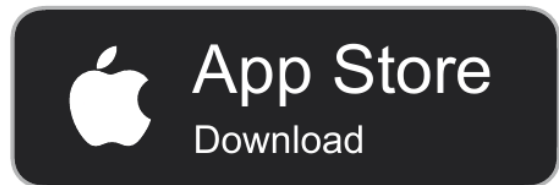
Read Before Installation

1. Keep Bird Feeder Cam and all accessories out of reach of children and pets.
2. Make sure the camera has been fully charged (DC5V/1.5A).
3. Working temperature: -10°C to 50°C (14°F to 122°F) Working relative humidity: 0-95%
4. Please do not expose the camera lens to direct sunlight.
5. The camera has an IP65 waterproof rating, which supports working properly under rains or snows. But it can not be soaked in water.

Note:

1. Bird Feeder Cam only works with 2.4GHz Wi-Fi.
2. Strong lights may interfere with the device's ability to scan QR code.
3. Avoid placing the device behind furniture or near microwaves products. Try to keep it within range of your Wi-Fi signal.

Set Up With VicoHome App



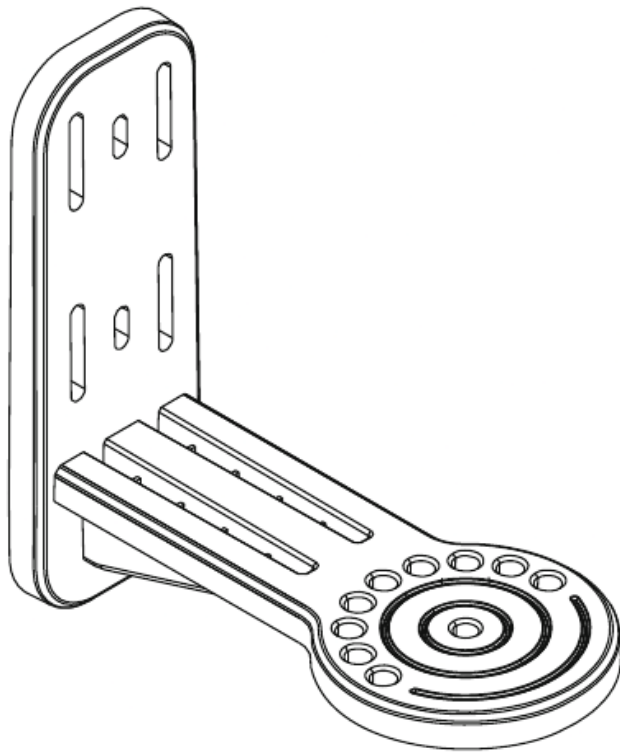
App Download

Download VicoHome App from App Store or Google Play. Follow the in—app instruction to complete the entire set up process.

Installation

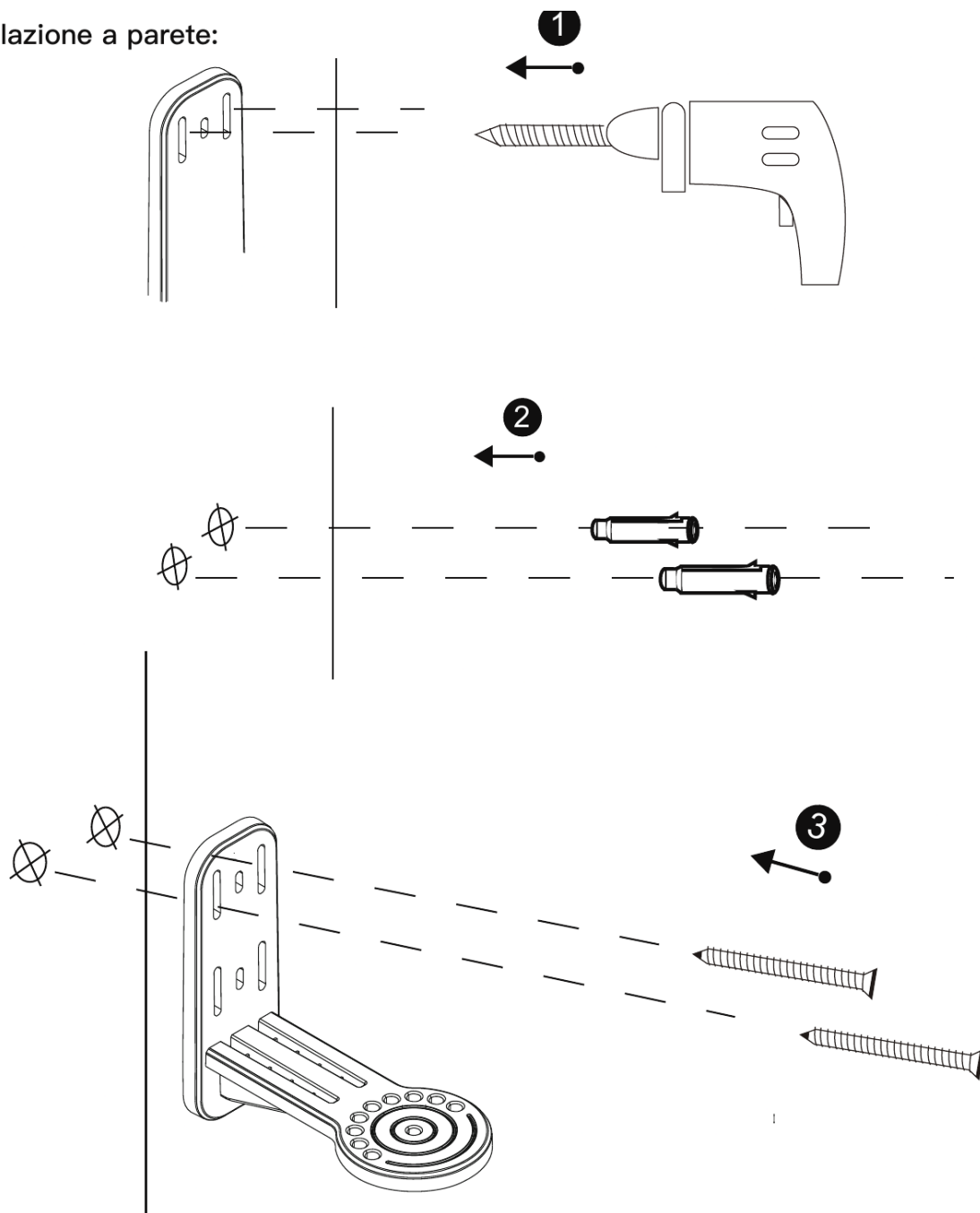
Check the following things before you drill holes on your wall:

Bird Feeder Cam has been successfully added to your VicoHome App and is able to stream video.



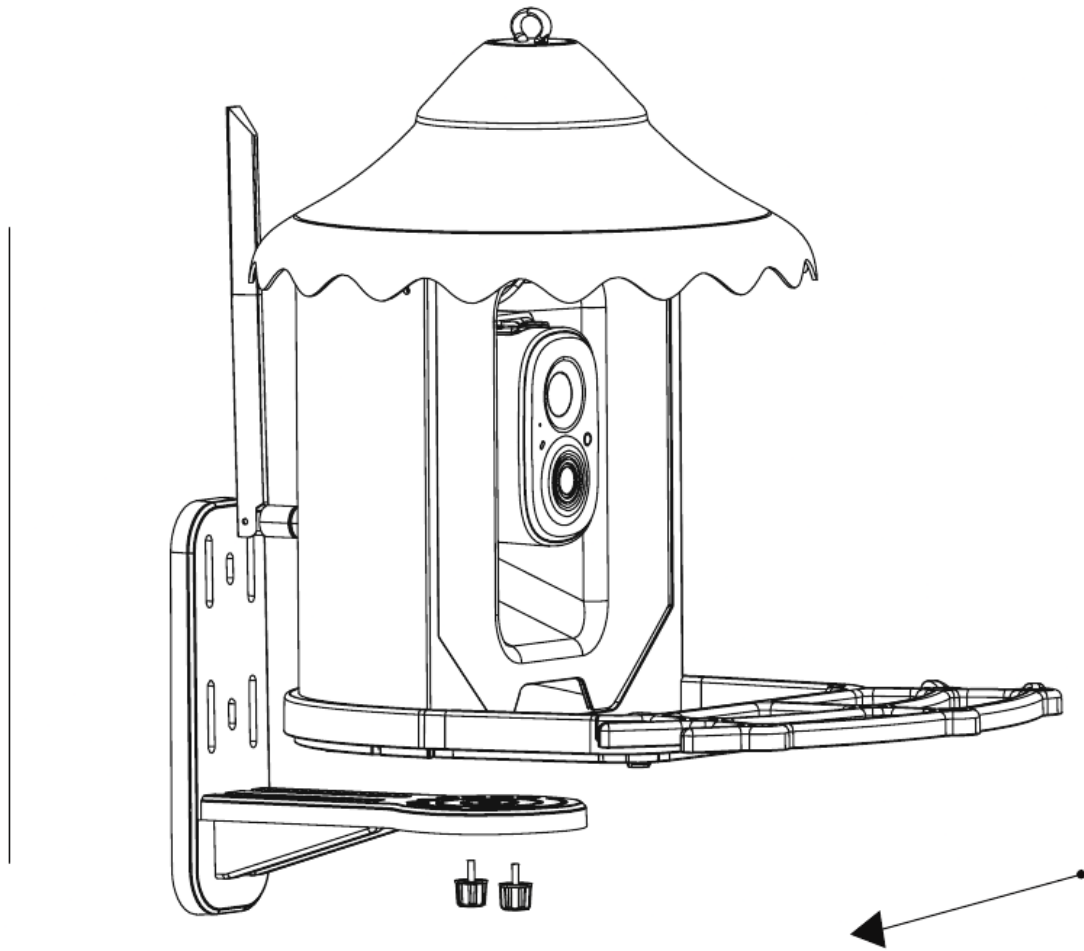
Wall Installation:

Installazione a parete:



Step 1:

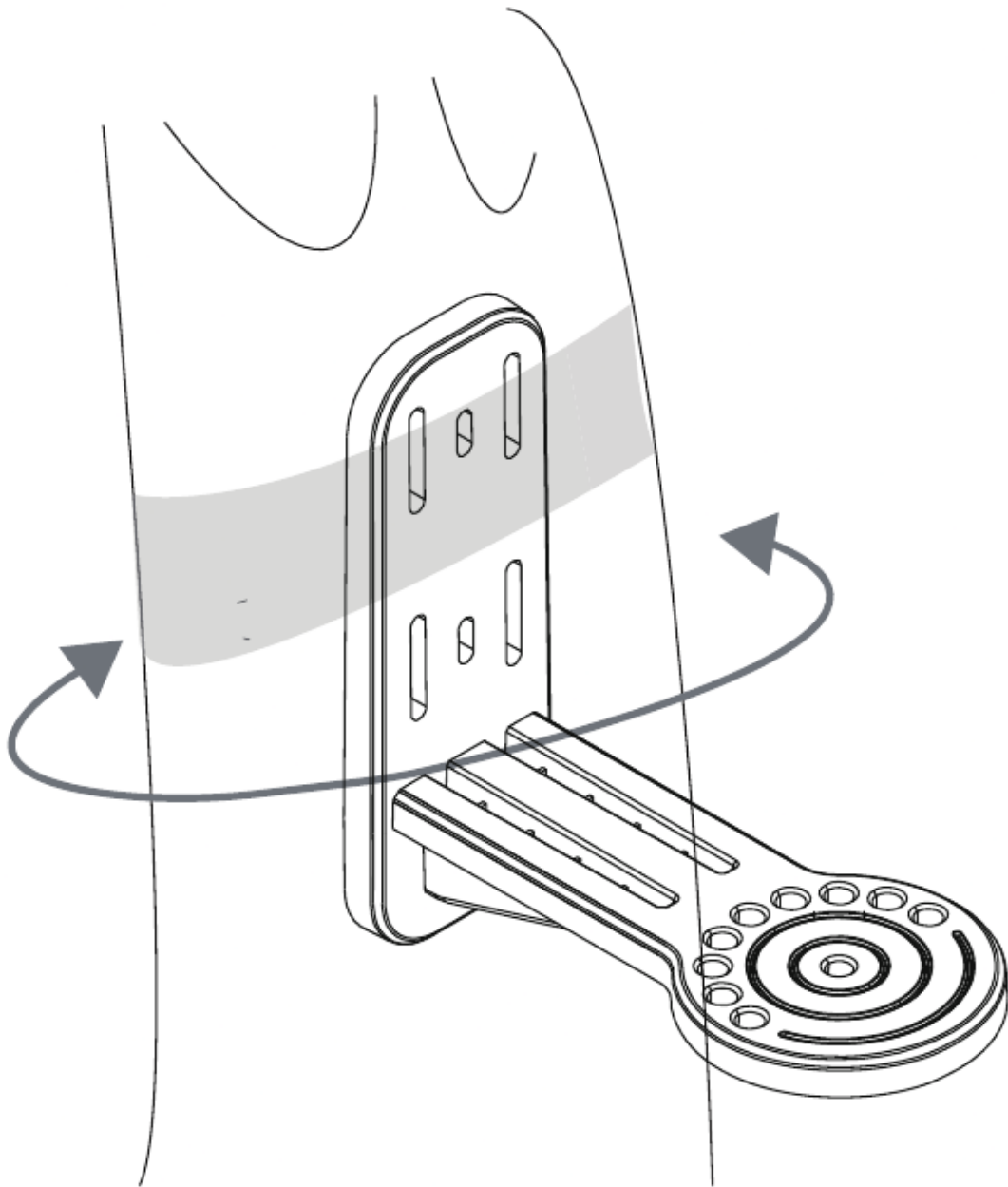
1. Use the provided drilling template to mark the position of holes on your wall. Use drill bit(5/16,8mm) to drill two holes.
2. Install the anchors to fix the screws.(Install on wood skip this step.)
3. Install the Mounting Bracket on your wall with the screws provided.



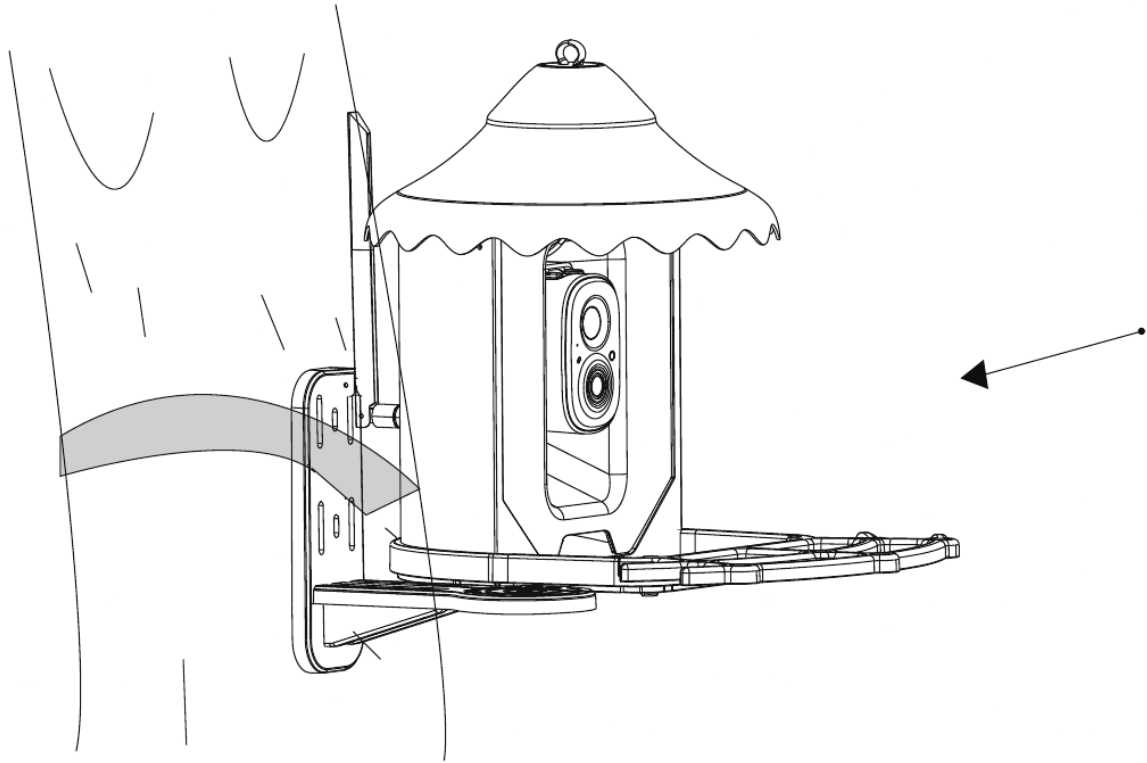
Step 2:

Slide the Bird Feeder Cam into the bracket through the slide rail.

Tree Installation:



Step 1: Wrap the Mounting Bracket around the tree with the Black Strap.



Step 2: Slide the Bird Feeder Cam into the mounting bracket.

Stand Installation:

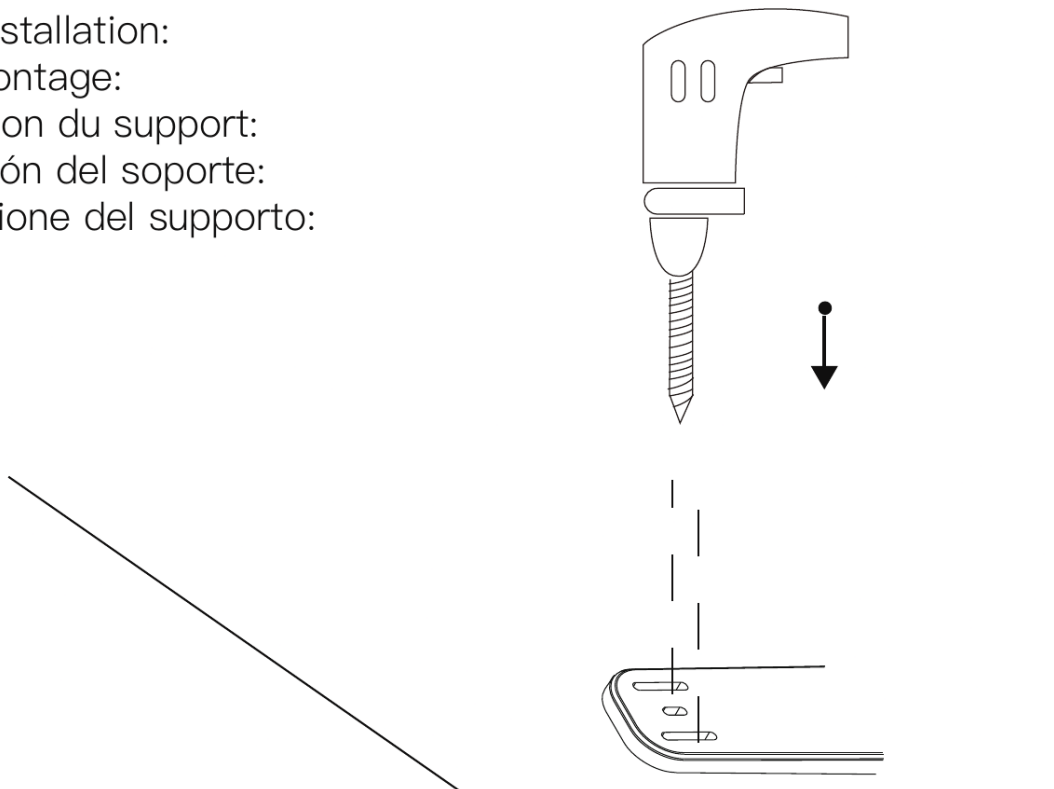
Stand Installation:

Standmontage:

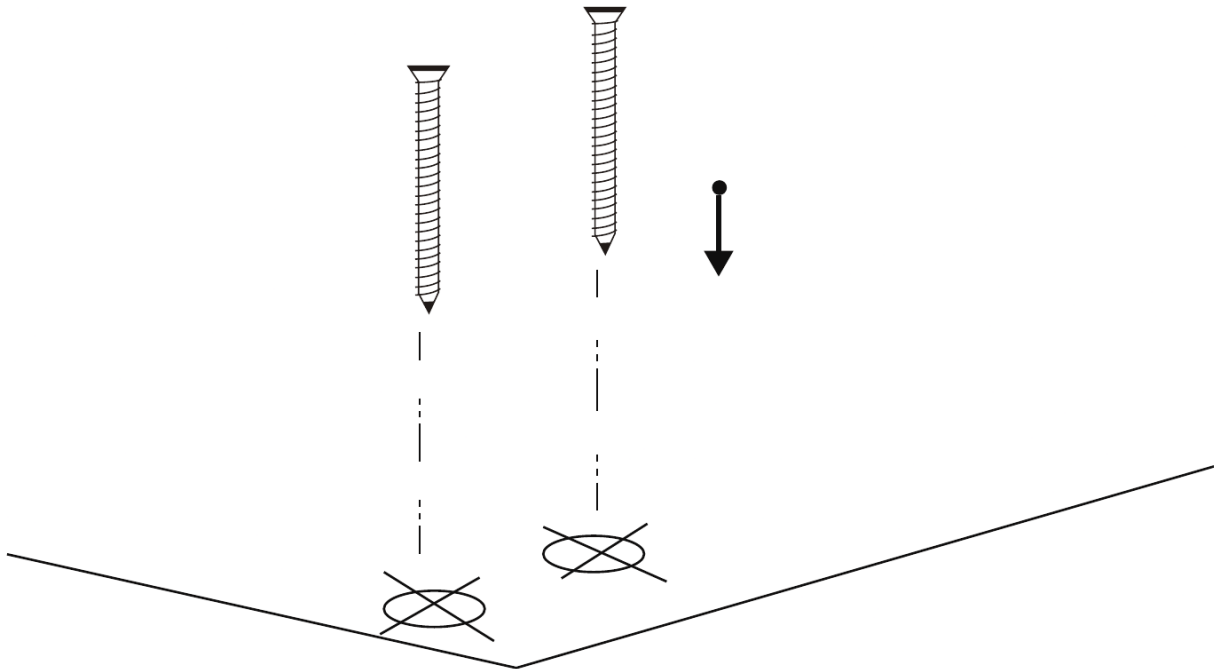
Installation du support:

Instalación del soporte:

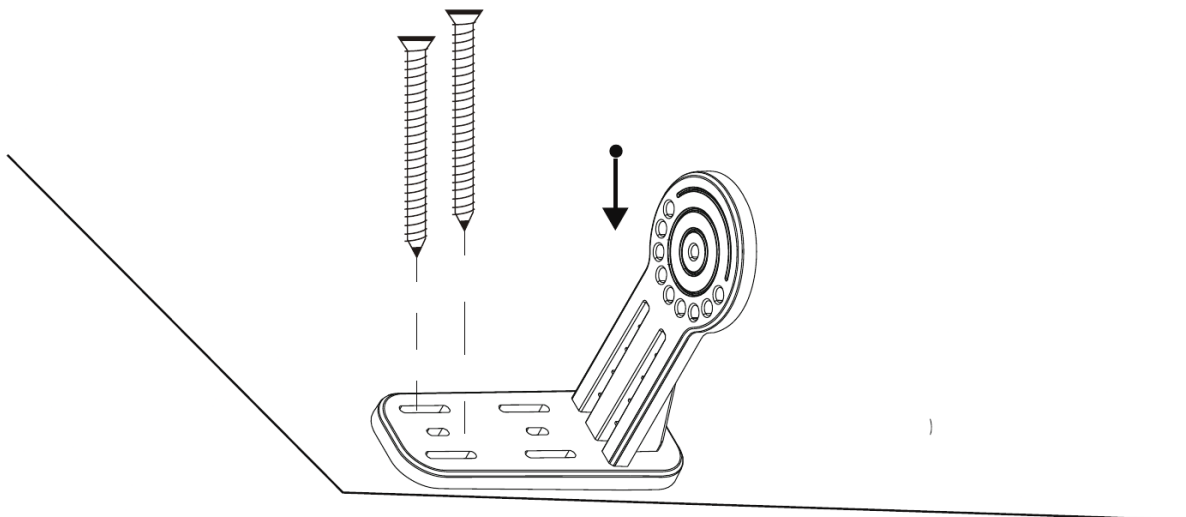
Installazione del supporto:



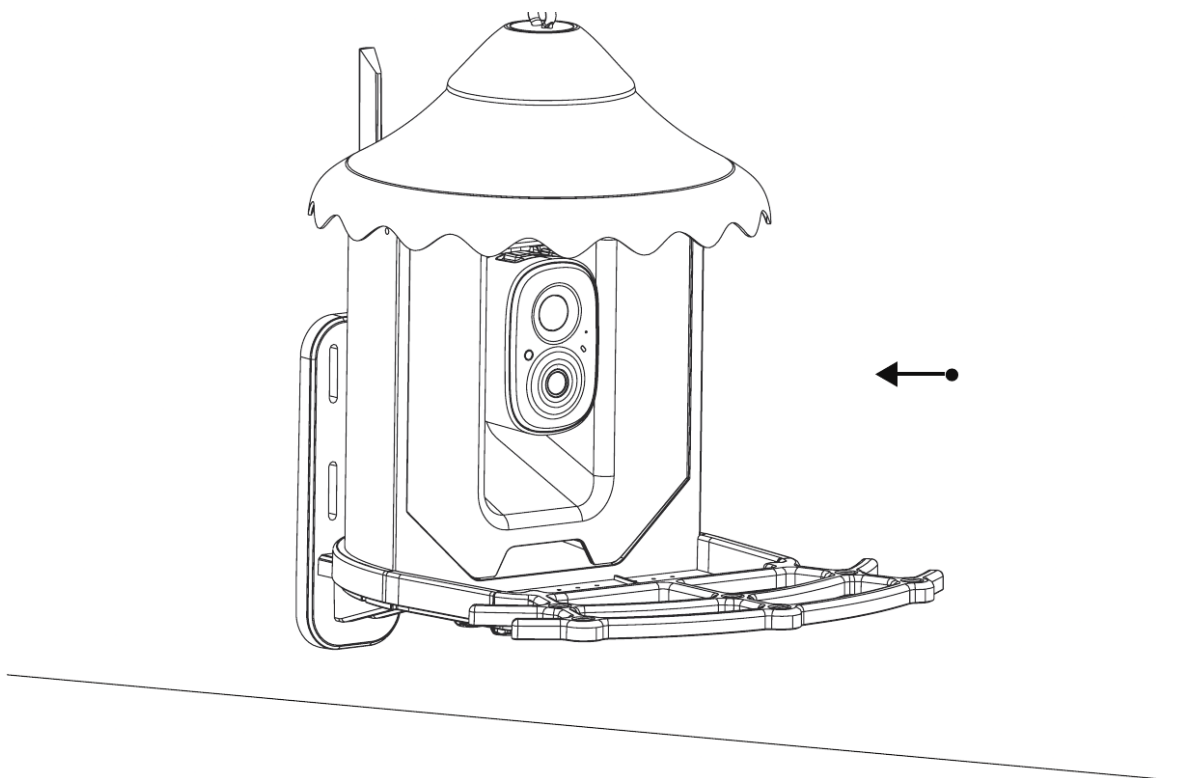
Step 1: The Bird Feeder Cam can be placed steadily on a flat surface, but for stability, we recommend that the backplane is installed and fixed on a flat surface. Use the provided drilling template to mark the position of holes on flat surface. Use drill bit (5/16", 8mm) to drill two holes.



Step 2: Install the anchors to fix the screws. (Install on wood skip this step.)

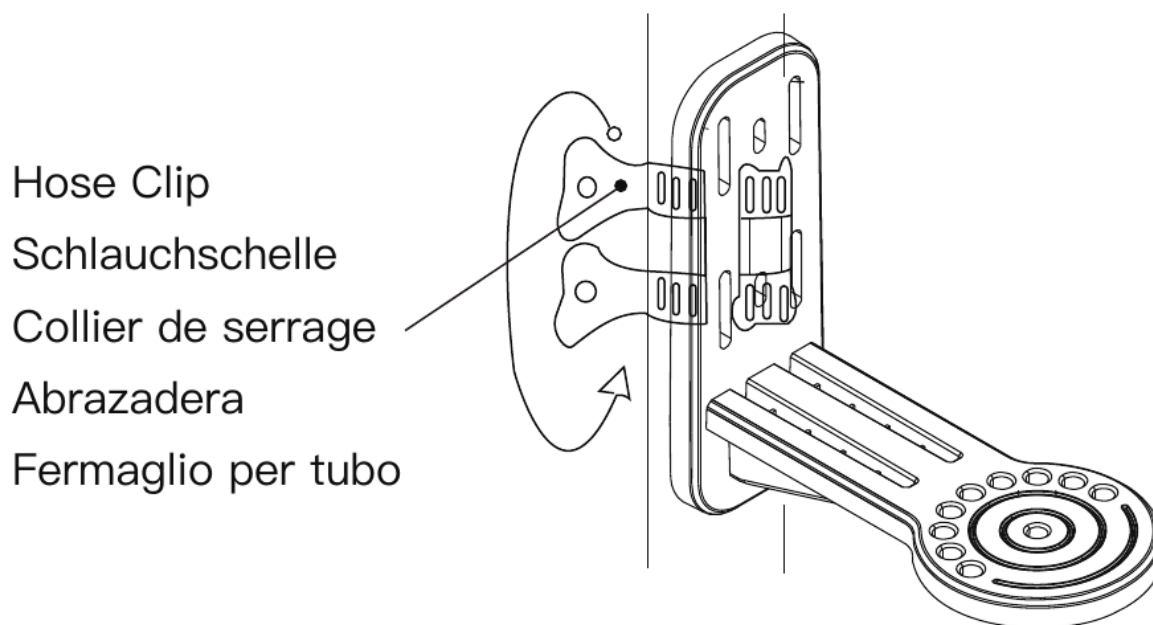


Step 3: Install the Mounting Bracket on flat surface with the screws provided.

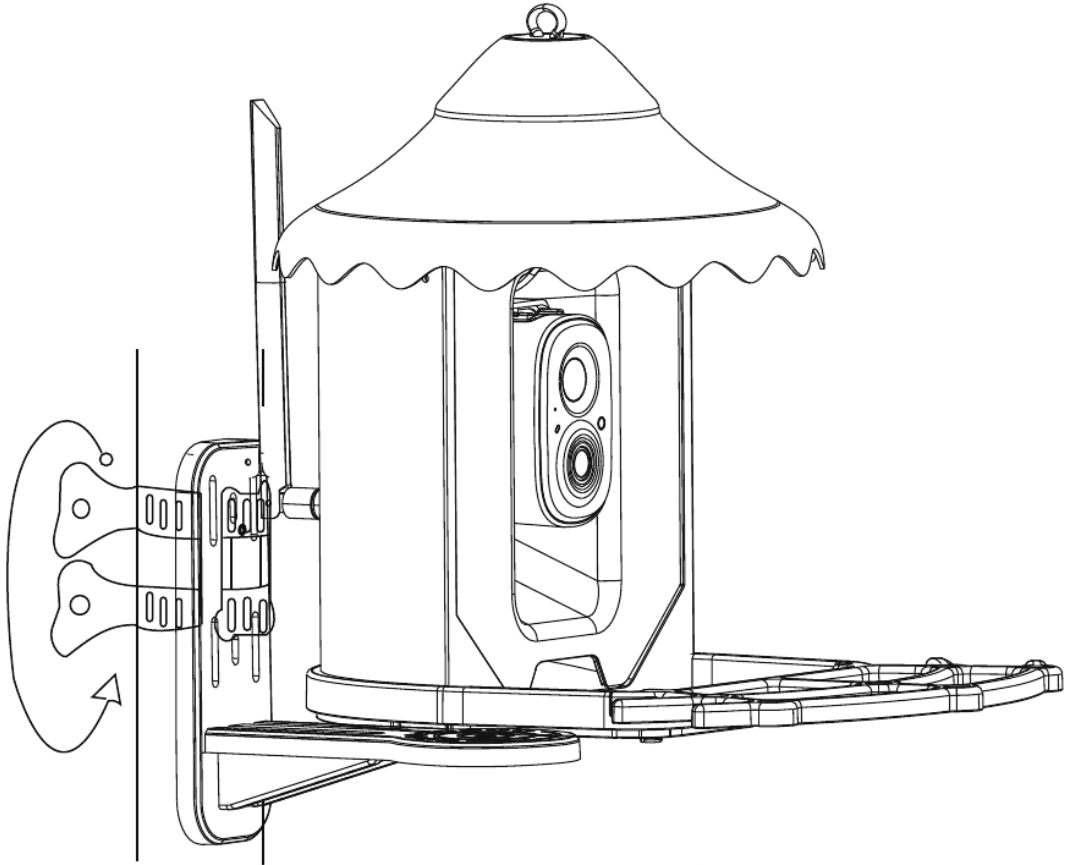


Step 4: Slide the Bird Feeder Cam into the mounting bracket.

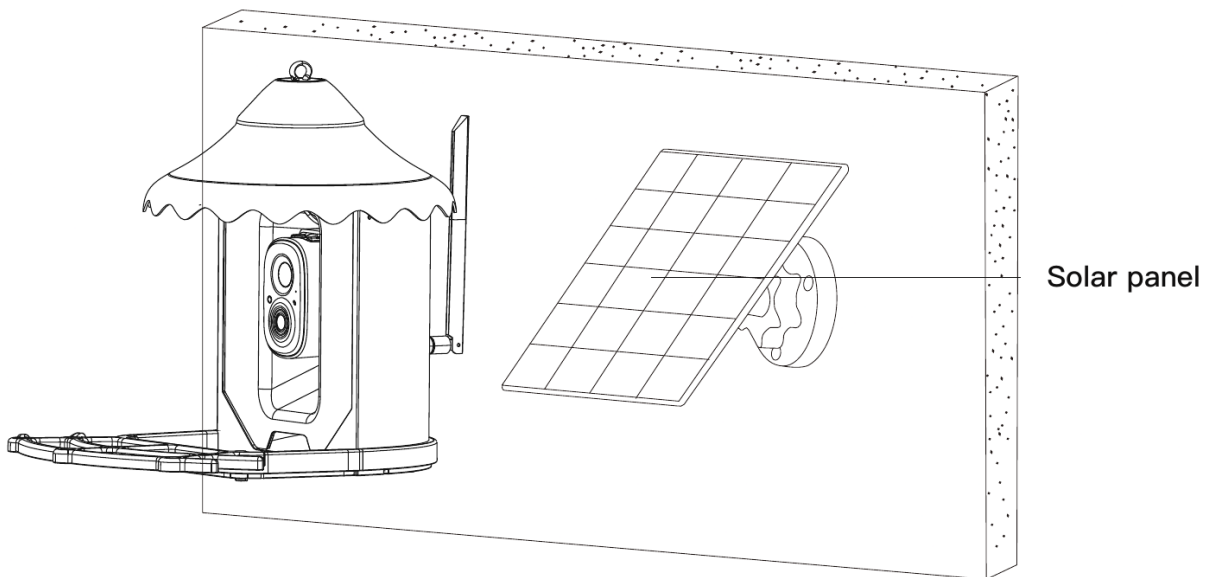
Pole Installation — Hose clip



Step 1: Attach Bird Feeder Cam to the pole with the Hose Clip turning the handle clockwise.

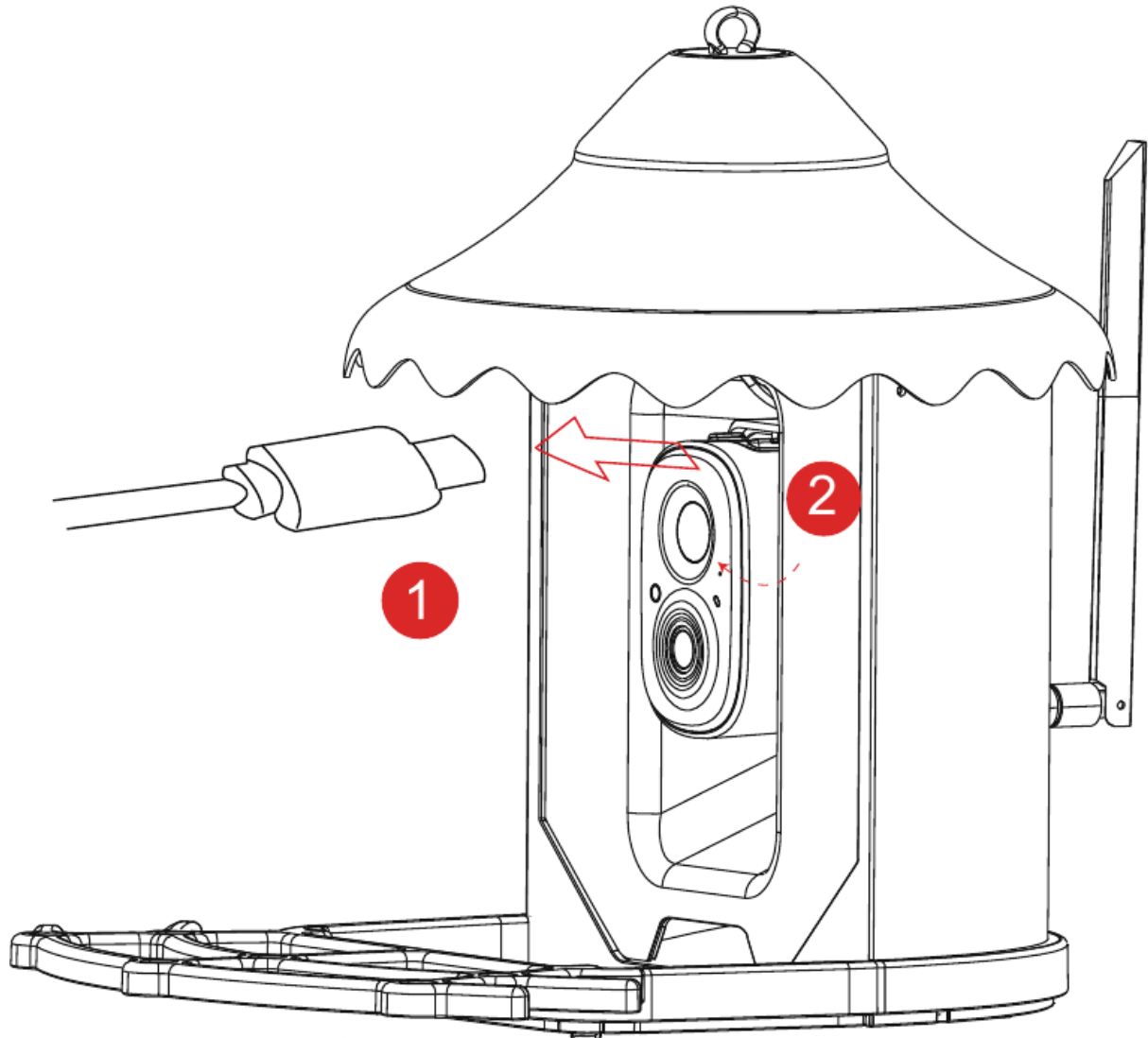


Step 2: Slide the Bird Feeder Cam into the bracket through the slide rail.



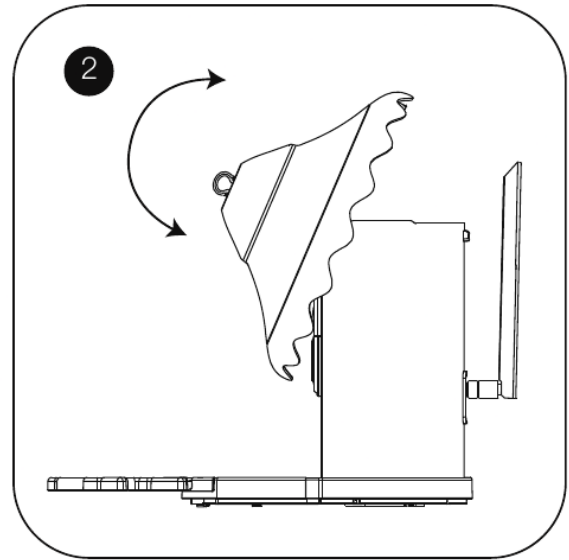
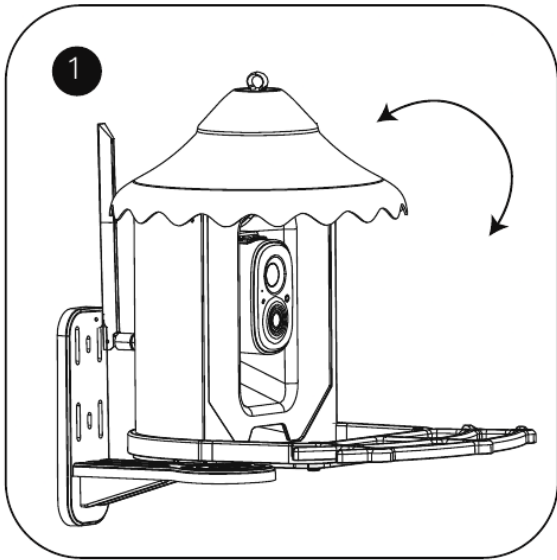
Step 3: Screw the bracket to the wall, then rotate the solar panel so the 1/4" nut on the back fits with the 1/4" screw on the bracket.

Cleaning Bird Feeder Cam

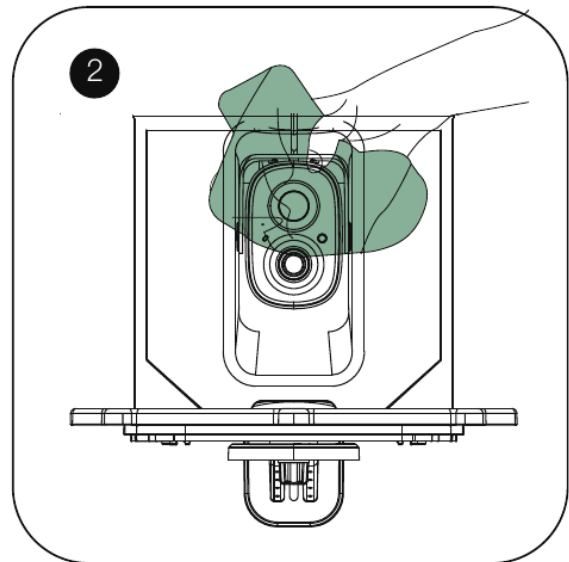
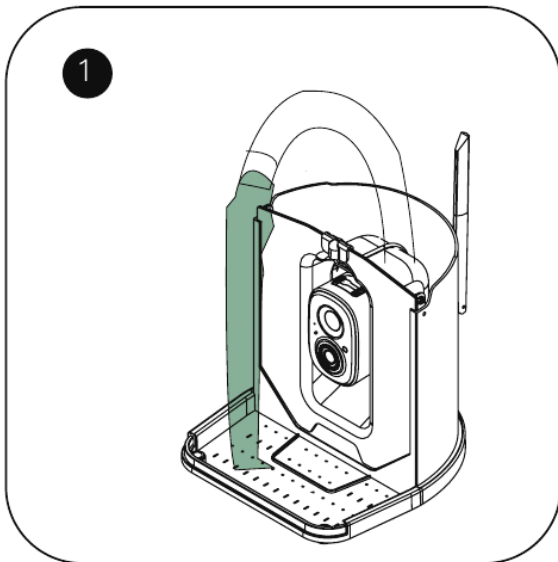


Step 1: Unplug the charging cable and put on the silicone cover.

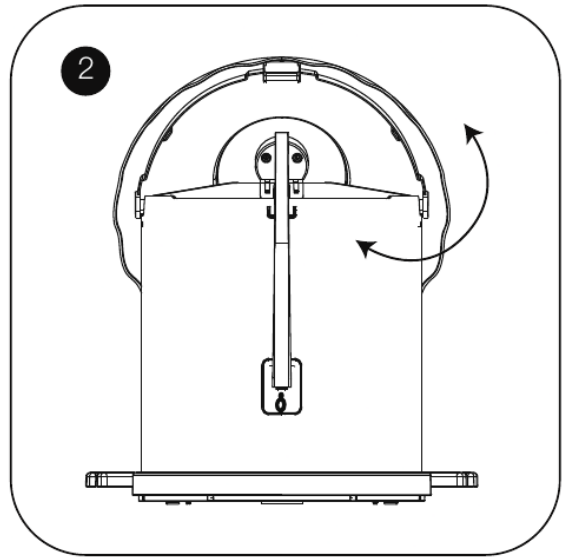
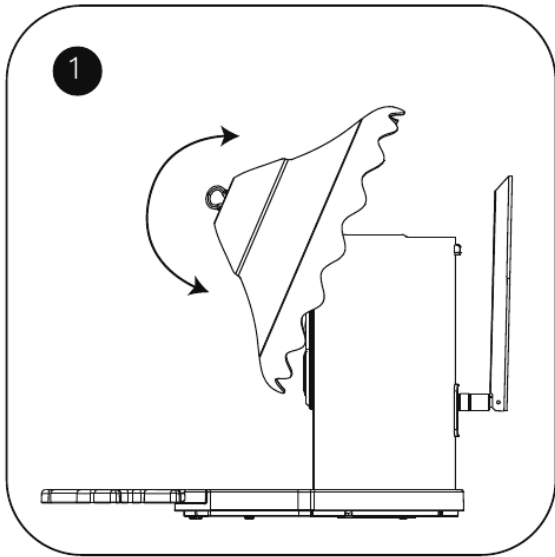
Step 2: Using the Pull Tab on the base of the feeder, remove the Bird Feeder Cam from the bracket.



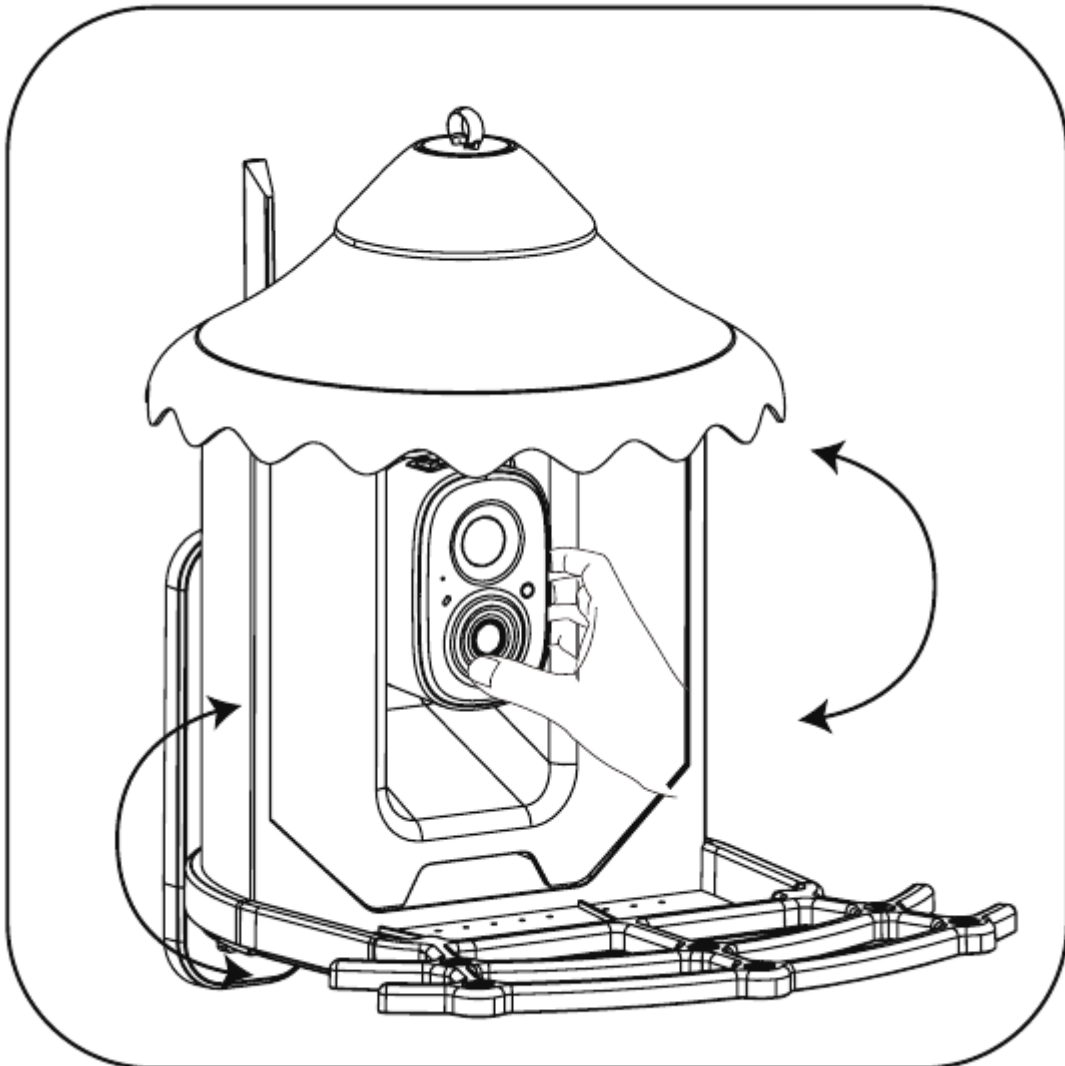
Step 3: Open up the buckle on the back of the Bird Feeder Cam, and pull up on the roof to open.



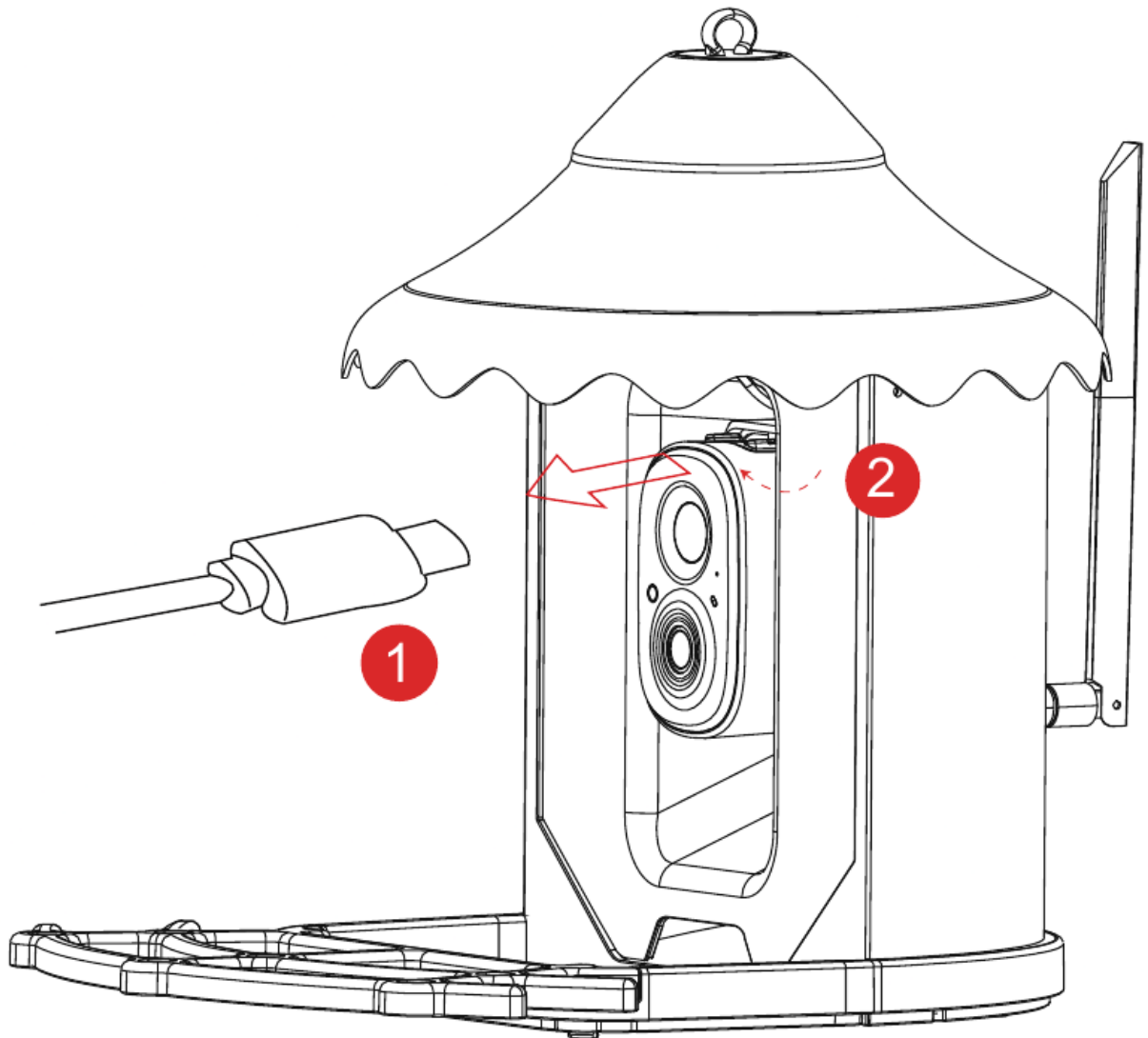
Step 4: Pour water into the top of the seed reservoir. Do not wash the camera or any of its components. They are water resistant, not water-proof. Dry the feeder, including the seed reservoir.



Step 5: Re—attach the Roof: Push the roof down and engage the snaps on the back of the Bird Feeder Cam.



Step 6: Re-attach the bracket to the Bird Feeder Cam base. Adjust the angle for both the Bird Feeder Cam and camera.



Step 7: Open the silicone plug, re-plug in the Solar Lite.

How to Add Bird Seed

Buckle

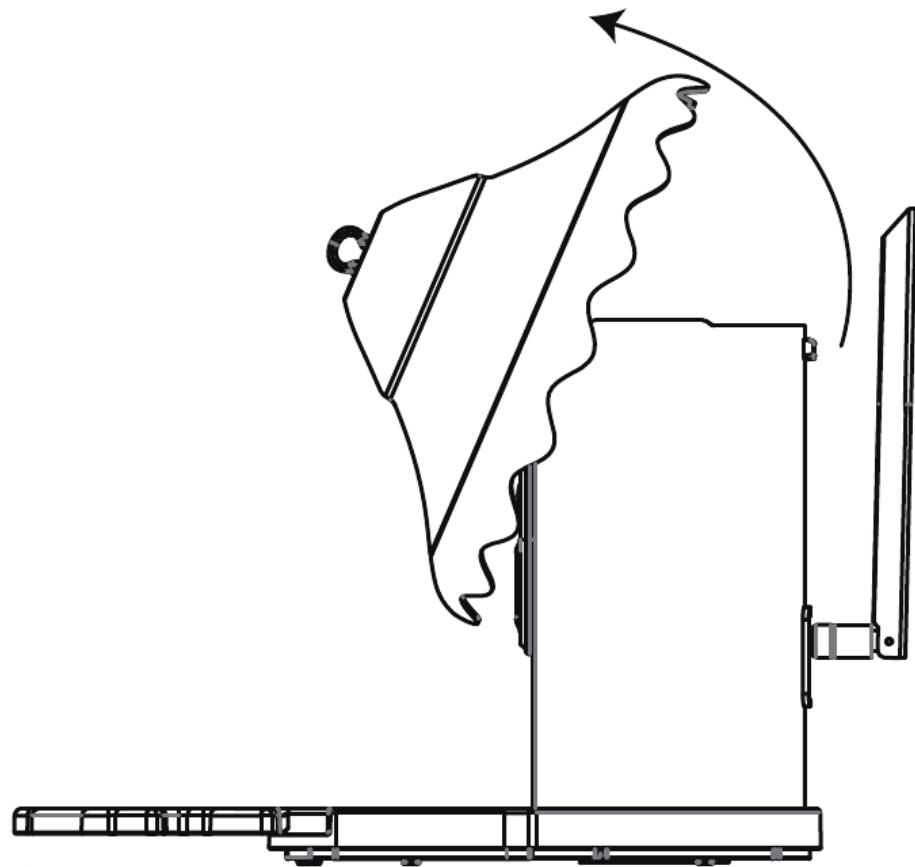
Buckle

Schnalle

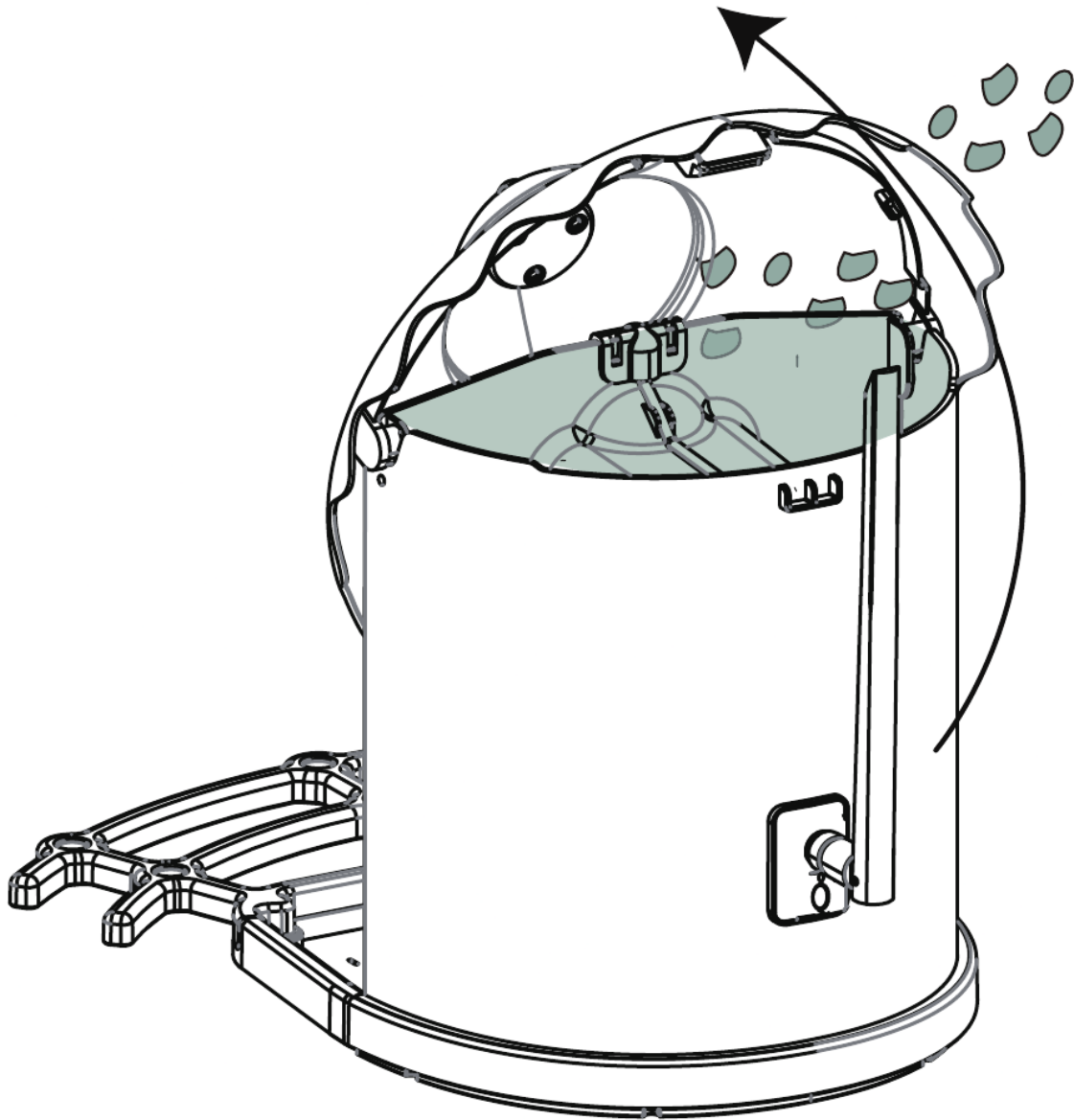
Boucle

Hebilla

Fibbia



Step 1: Open up the buckle on the back of the Bird Feeder Cam, and pull up on the roof to open.



Step 2: You can add bird seed. Finally, close the roof back.

Status Light

This camera uses status light to communicate.

LED Indicator Description

Solid Blue	Working
None	Sleep/Power Off
Solid Yellow	Charging
Solid Green	Charging Finished

AI Bird Recognition

- **AI version:** The service is free for life.
- **Lite version:** This service requires a subscription.

[Manualsum](#)

AI Bird Recognition has undergone massive machine learning and uses AI intelligent recognition algorithms to inform you in real time “what species of bird are coming”, automatically save the bird images/videos data for you, and also provide bird knowledge learning and so on.