

TR X-VIBE Wireless Headphone User Manual

Manualsum, simplified manuals

Table of Contents

- [TR X-VIBE Wireless Headphone User Manual](#)
 - [Warning](#)
 - [Product Specification](#)
 - [Operation](#)
 - [Power on/off .](#)
 - [Connection.](#)
 - [Package Contents:](#)

TR X-VIBE Wireless Headphone User Manual

TR X-VIBE Wireless Headphone User Manual

([2AS7V-BH31](#))



Warning

Read the below warning thoroughly before you start using your headset. Store this manual with product packaging. The safety precaution manual reduce the risk of fire or injury when correctly complied to.

To reduce the risk of injury:

Keep batteries out of reach of children.

Do not heat, open, or dispose of battery pack in fire.

Do not allow metal objects to touch the battery on the device.

Do not expose battery pack to excessive heat.

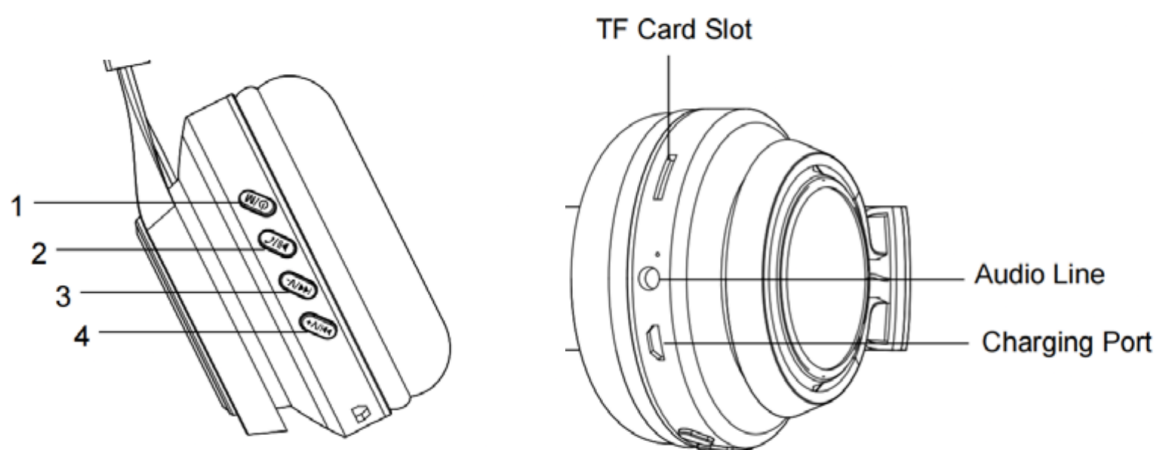
[Manualsum](#)

Do not use over 5V adapter to charge this product.

Product Specification

- Bluetooth solutions: JL
- Bluetooth version: 5.3
- Battery capacity: 200mAh
- Playtime: 5-6 hours
- Effective distance: 10m
- Charging time: about 2H
- Speaker Size: 40mm
- Speaker Impedance:32Ω

Operation



Power on/off .

Long press the power button for 3s to power on

Long press the power button again for 5s to power off

Connection.

Open the Bluetooth in your phone and search the device “TR X-VIBE”, click connect

1. Long press for 3s to power on; Long press for 5s to power off Short press to change mode from Bluetooth to TF to FM
2. Short press to play or pause the music Incoming calls: short press to answer ; long press to decline
3. Long press to reduce volume Short press for previous song
4. Long press to increase volume Short press for next song

Package Contents:

- 1 x Headset

- 1 x User manual
- 1 x Charging cable

This device complies with Part 15 of the FCC Rules. Operation is subject to the following two conditions:

- (1) this device may not cause harmful interference, and
- (2) this device must accept any interference received, including interference that may cause undesired operation

This device has been tested and found to comply with the limits for a Class B digital device, pursuant to Part 15 of the FCC Rules. These limits are designed to provide reasonable protection against harmful interference in a residential installation. This device generates, uses and can radiate radio frequency energy and, if not installed and used in accordance with the instructions, may cause harmful interference to radio communications.

However, there is no guarantee that interference will not occur in a particular installation. If this device does cause harmful interference to radio or television reception, which can be determined by turning the device off and on, the user is encouraged to try to correct the interference by one or more of the following measures:

- Reorient or relocate the receiving antenna.
- Increase the separation between the device and receiver.
- Connect the device into an outlet on a circuit different from that to which the receiver is connected.
- Consult the dealer or an experienced radio/TV technician for help

Changes or modifications not expressly approved by the party responsible for compliance could void the user's authority to operate the equipment