

# [Xiaodu Smart Clip-on Earphones User Manual](#)

## [Manualsum](#), simplified manuals

### Table of Contents

- [Xiaodu Smart Clip-on Earphones User Manual](#)
  - [Product list](#)
  - [Earphone introduction](#)
  - [Indicator description](#)
  - [Headset interactive description](#)
  - [Download the Xiaodu APP](#)
  - [First use](#)
  - [Bind Xiaodu apps](#)
    - [Disconnect](#)
    - [Reconnect](#)
  - [Name and content of harmful substances in products](#)
  - [Warranty information card](#)
  - [Baidu's AI assistant](#)
  - [Check the battery](#)
  - [Intelligent interaction](#)
  - [AI superpowers](#)
  - [Voice note](#)
  - [Simultaneous interpretation](#)
  - [More content](#)
  - [Specification parameter](#)
  - [Matters needing attention](#)
  - [Xiaodu smart clip earheadphones three-pack regulations](#)

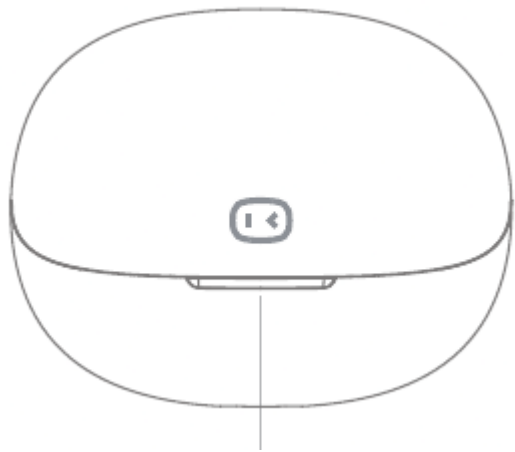
# **Xiaodu Smart Clip-on Earphones User Manual**

Xiaodu Smart Clip-on Earphones User Manual

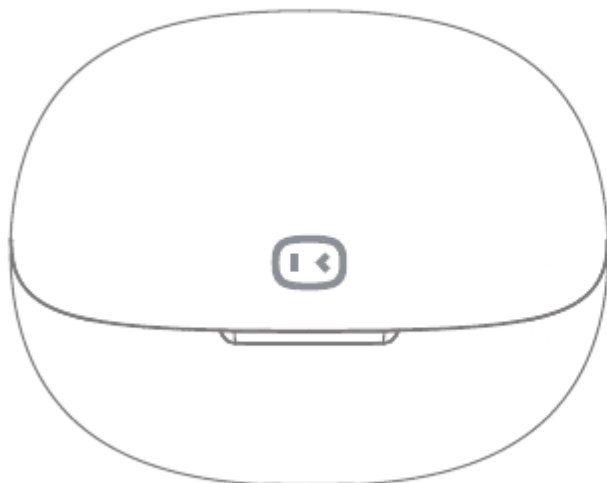
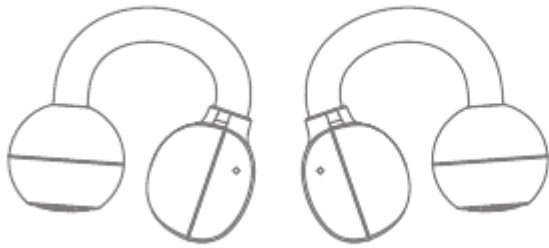
Shenzhen Jiangyang Supply Chain Manement Xiaodu smart clip-on earphones User Manual

FCC id: [2BGWM-DUPODS-G108](#)

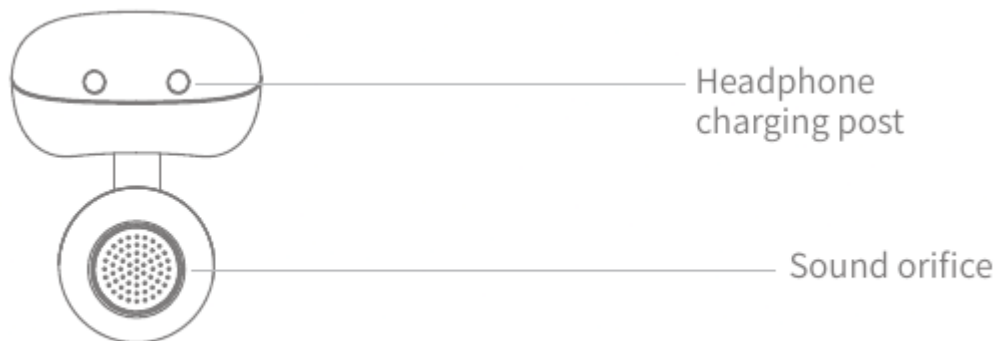
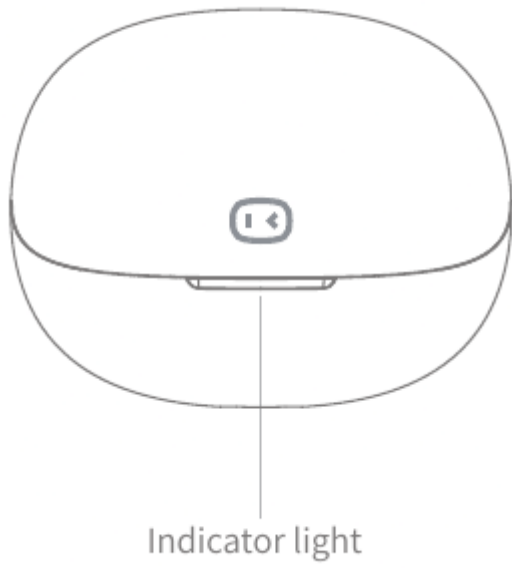
[Manualsum](#)



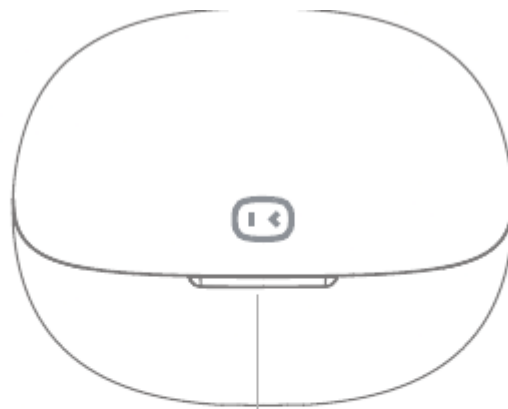
## Product list



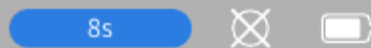
# Earphone introduction



# Indicator description



## Open charging bay cover (with/without headphones)



The warehouse high potential (voltage greater than 3.4V) turns on white for 8s and then turns off



Warehouse Low potential (voltage less than 3.4V) The warehouse white indicator blinks slowly for 8 seconds

## Close the charging bay cover (with/without headphones in the bin)



Warehouse high potential (voltage greater than 3.4V) Warehouse white light for 8 seconds



Warehouse Low potential (voltage less than 3.4V) The warehouse white indicator blinks slowly for 8 seconds

## Charge the charging bin



The white light of the charging compartment will turn off after 8 seconds



When the warehouse is fully charged, the ice blue light will turn off after 8 seconds

# Headset interactive description



---

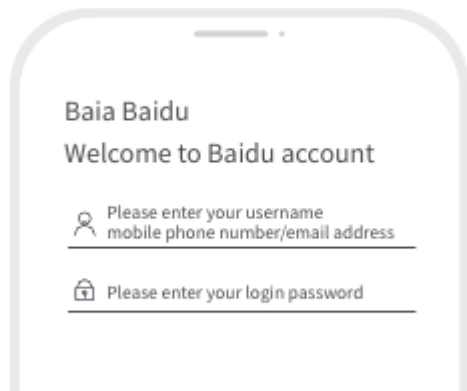
Volume +	Click right earphone R
Volume -	Click the left earphone L
Music play/pause	Double click the L/R headphones
Answer the call	Double click the L/R headset
Hang up the call	Double click the L/R headset
Previous Song	Three strikes Left earphone L
Next Song	Three strikes Left earphone R
Reject incoming call	Hold down the L/R headset for 3s
Xiaodu voice assistant	Hold down the L/R headset 3s
Clear pairing	Five hits of L/R head phones at the same time

## Download the Xiaodu APP

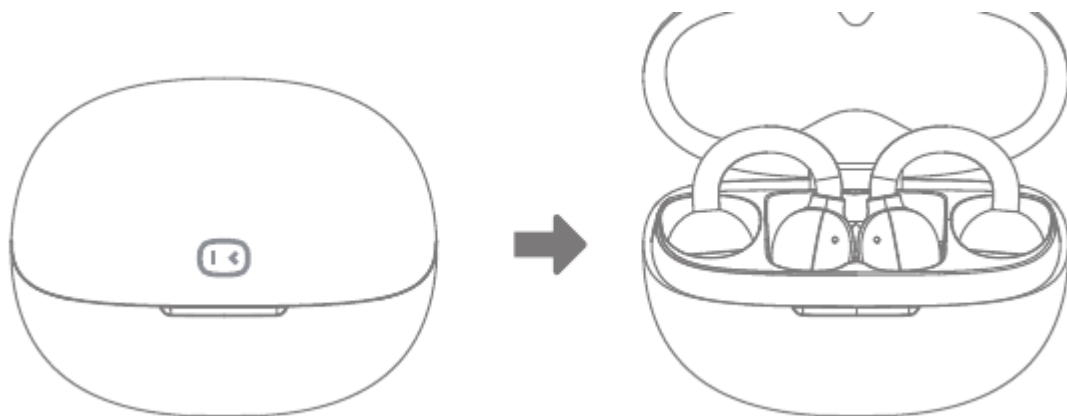
1. Download the Xiaodu APP

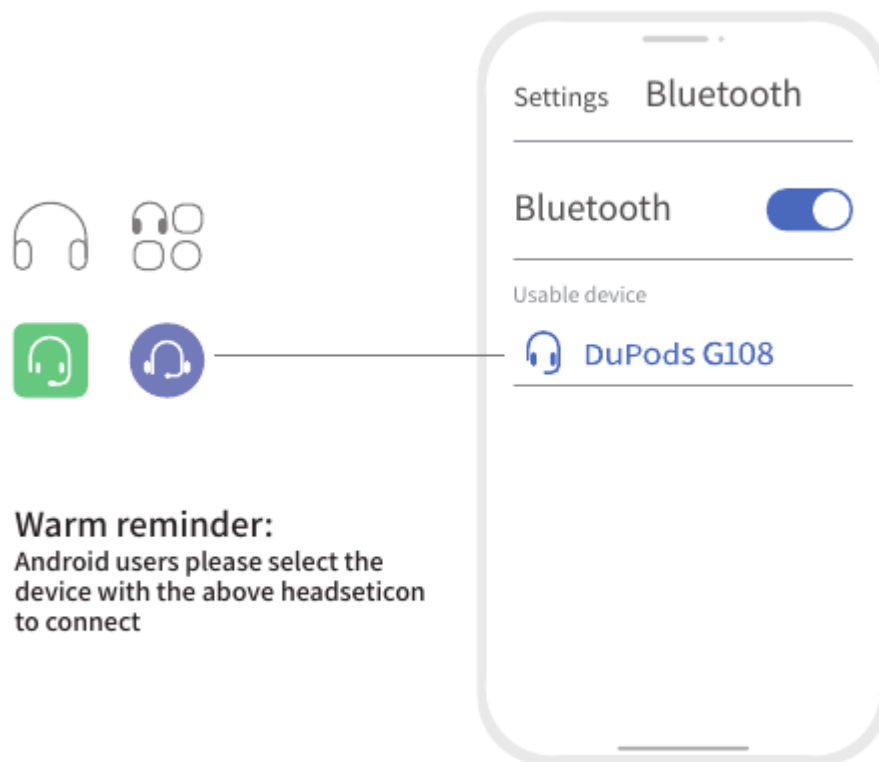


## 2.Register/log in Baidu account



### First use





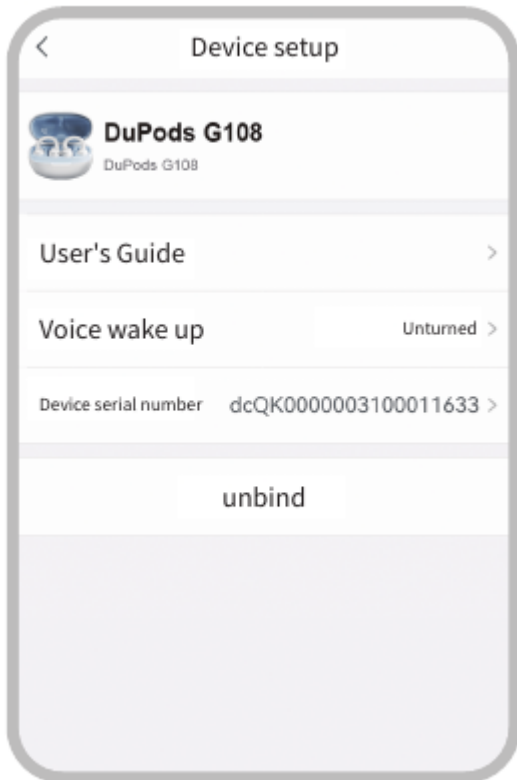
**Warm reminder:**  
Android users please select the device with the above headset icon to connect

Settings -Bluetooth

**Note:** Pairing password “0000” is required for some models

## Bind Xiaodu apps

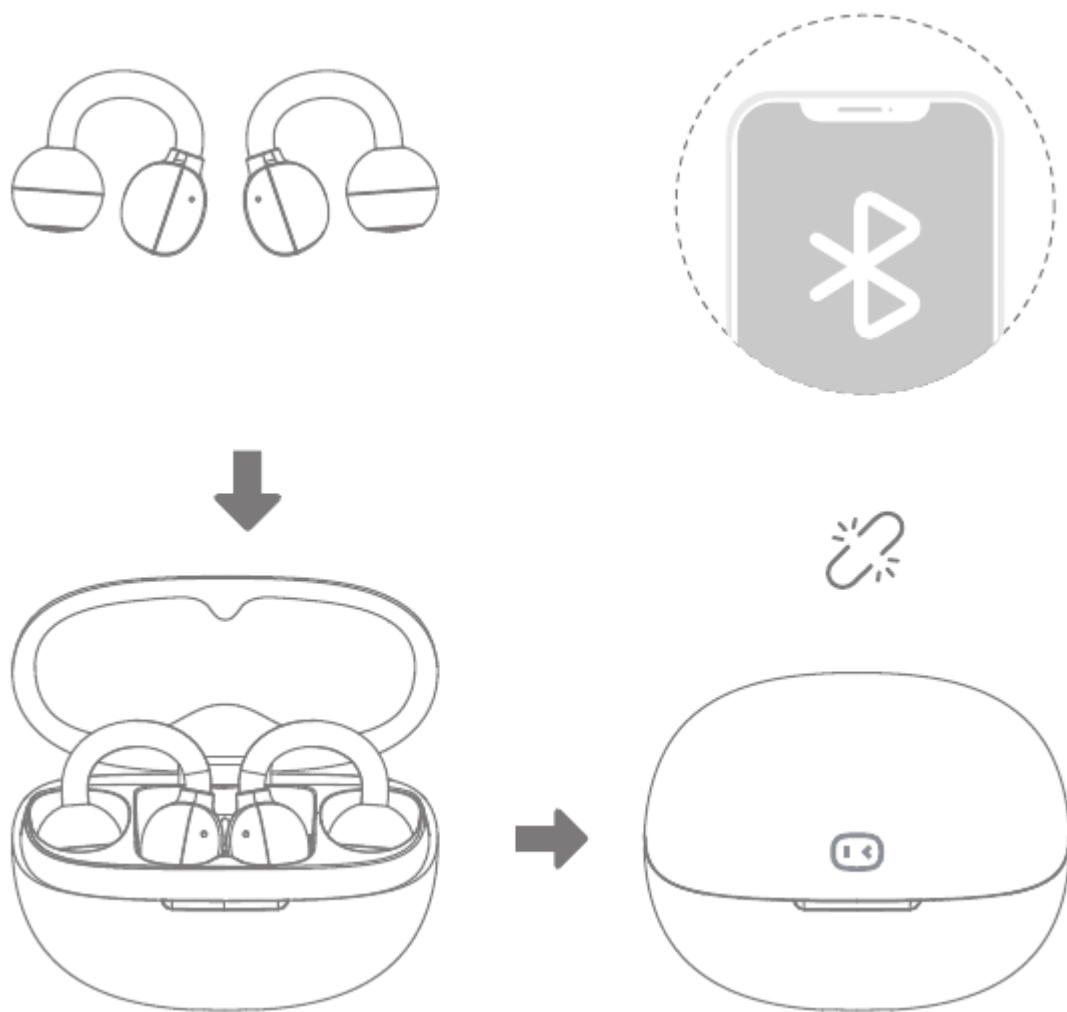
After the headset is connected to the Bluetooth of the mobile phone, opening the Xiaodu APP will automatically bind the headset. With the Xiaodu APP, you can check the headset battery, check the headset Settings, etc., which is convenient for you to better manage the headset device, in addition, there are more exciting content and black technology functions for you to explore.



**Tips:** After the mobile phone is connected to Bluetooth, if the Xiaodu APP is not connected within 3 minutes, the APP will automatically close the connection function. You need to re-activate the headset before you can connect the Xiaodu APP

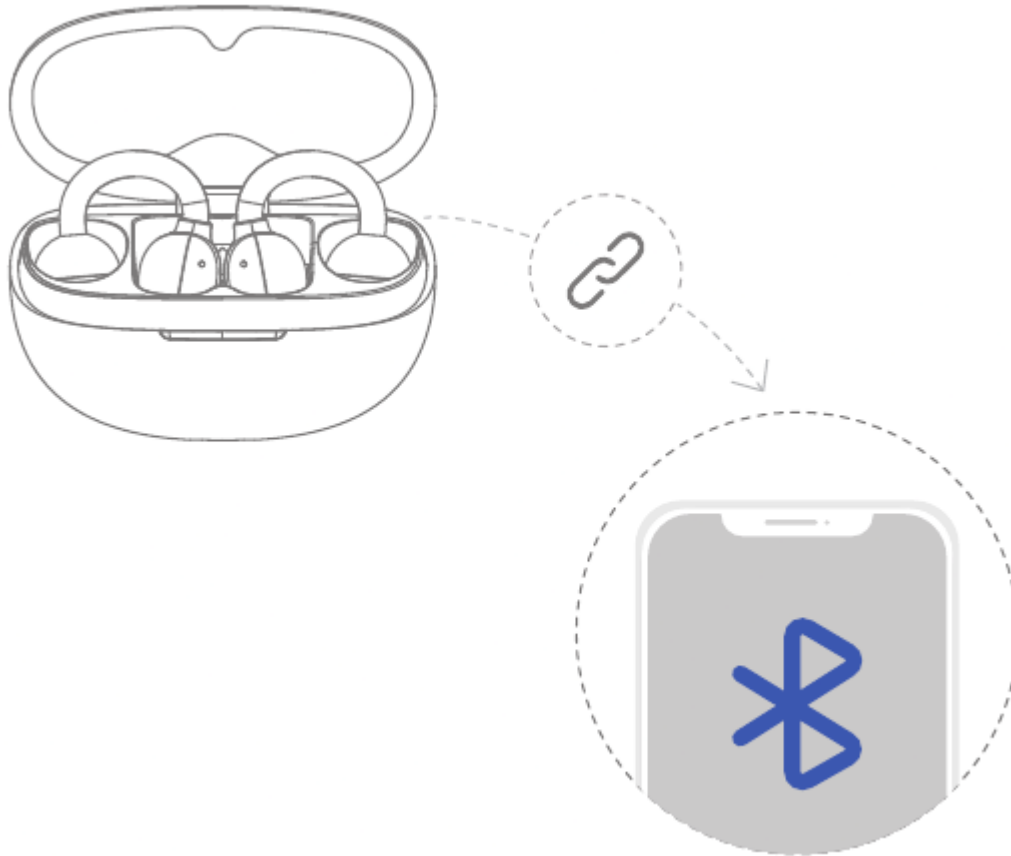


## Disconnect



## Reconnect

Open the charging bay and automatically connect back



## Name and content of harmful substances in products

Part Name	Lead (Pb)	Mercury (Hg)	Cadmium (Cd)	Heaveleent chromium (Cr(VI))	Polyvrominated biphenyls(PBBsr)	Polybrominated diphenyl ethers (PBDEs)
Cable	<b>X</b>	<input type="radio"/>	<input type="radio"/>	<input type="radio"/>	<input type="radio"/>	<input type="radio"/>
Batteries	<input type="radio"/>	<input type="radio"/>	<input type="radio"/>	<input type="radio"/>	<input type="radio"/>	<input type="radio"/>
Circuit board components	<b>X</b>	<input type="radio"/>	<input type="radio"/>	<input type="radio"/>	<input type="radio"/>	<input type="radio"/>
Plastic parts	<input type="radio"/>	<input type="radio"/>	<input type="radio"/>	<input type="radio"/>	<input type="radio"/>	<input type="radio"/>
Metal parts	<b>X</b>	<input type="radio"/>	<input type="radio"/>	<input type="radio"/>	<input type="radio"/>	<input type="radio"/>
Other parts	<input type="radio"/>	<input type="radio"/>	<input type="radio"/>	<input type="radio"/>	<input type="radio"/>	<input type="radio"/>

○ Indicates that the concentration of the hazardous substance in all homogeneous materials of the part is within the limits specified in GB/T26572

X Indicates that the content of the hazardous substance in at least one homogeneous material of the part exceeds the limit requirements specified in GB/T 26572



Electronic and electrical products sold in the People's Republic of China will bear the "Environmental Protection Period (EPuP) symbol. The number in the circle represents the normal environmental service life of the product.

Some of the components contain harmful substances that are impossible to replace at the current level of technology, and Baidu is working tirelessly to make them substitutable

# Warranty information card

## Information fill out

Product name \_\_\_\_\_

Product model number \_\_\_\_\_

Product SN \_\_\_\_\_

Date of purchase \_\_\_\_\_

## User information

Date of purchase \_\_\_\_\_

Contact number \_\_\_\_\_

To the address \_\_\_\_\_

## Baidu's AI assistant



Scan and download Xiaodu APP

Configure and upgrade the Xiaodu headset

### Check the battery

1. After the headset is connected to the Xiaodu APP, you can view the precise power of the left ear, right ear and charging box respectively.
2. When the headset is only connected to the mobile phone, you can check the headset power in the status bar of the mobile phone, but cannot check the charging box power (some mobile phones do not support it).

### Intelligent interaction

When wearing headphones, connect Xiaodu APP long press the headset 3S to wake up Xiaodu assistant, wait for Xiaodu to respond, say what you want to do.



## AI superpowers

Xiaodu headset integrates “voice note”, “simultaneous interpretation” and other AI functions to meet your business communication, watching English original videos, traveling abroad and other needs.

**Tips:** Need to cooperate with Xiaodu APP to use AI function.

### Voice note

**Note** while speaking, voice content, recognition results on the screen in real time, easily solve the voice-to-text daily record, meeting minutes essential artifacts.

### Simultaneous interpretation

1. Think of a good chinese speech, to help you accurately translate into English.
2. During meetings, translate while listening, and output bilingual meeting minutes simultaneously.
3. Watch TED talks and American TV series without subtitles, and translate them in real time to make people faster.

## More content



Wechat scan Code Follow for more product related information

## Specification parameter

- Product name: Xiaodu smart clip-on earphones
- Model: DuPods G108
- Earphones Size:28.3\*21.6\*25.3mm Charging
- Box Size:64.6\*51.2\*30mm
- Speaker: 10mm moving-coil
- Headset battery capacity: 35mAh
- Charging case battery capacity: 300mAh
- Charging voltage: DC 5V
- Total approximate weight: Approximately 49g
- Bluetooth: BT5.4

## Matters needing attention

1. In order to reduce the risk of electric shock, donot disassemble this product, there are no partsthat users can repair, please contact after-sales maintenance personnel for maintenance;
2. In order to prevent fire, please ensure that the product is always away from candles or other open flames;
3. Keep accessories away from children;
4. Do not let the product fall or be impacted.If theproduct is damaged,please disconnect the power supply immediately and contact the service center;
5. Do not disassemble the unit at any othertime before discarding it;
6. If you have any questions, please contactthe store where you purchased this product;
7. For the CMIIT iD information associated with the SRRC ofthis product,please see the location ofthe internal test labelon the cover ofthe product charging box.

**Friendly tip:** If the earphone cannot be charged, please check whether the earphone charging column or the charging bin near the thimble is dirty or blocked by foreign bodies, and carefully clean it with cotton swabs

## **Xiaodu smart clip earheadphones three-pack regulations**

During the validity period of three packages, you can enjoy the right of return, replacement and repair in accordance with this regulation. Return, replacement and repair shall be handled by invoice.

1. Within 7 days from the date of receipt, if there is any quality problem, the consumer can choose the invoice price to refund the payment or replace the product with the same model and specifications;
2. Within 15 days from the day after signing, consumers can choose to replace products with the same model and specifications if quality problems occur;
3. Within 12 months from the day after signing, if there is a product quality problem, consumers can choose to repair it free of charge.

### **The following circumstances do not fall within the scope of the three guarantees.**

1. The validity period of the three packages is exceeded;
2. No warranty card, invoice or warranty card inconsistent with invoice information;
3. Damage caused by human causes;
4. Damage caused by irresistible factors;
5. Any damage caused by failure to use, maintain and adjust according to the requirements of the User Manual;
6. Failure or damage caused by forced use of the product beyond the normal conditions of use;
7. Unauthorized dismantling or repair by personnel without Baidu's authorization;
8. Malicious damage of warranty card contents and product information, including fuzzy destruction, tearing tampering, etc;
9. Failure and damage caused by other problems other than the design, manufacturing and quality of the product itself.

Shanghai Xiaodu Technology Co., LTD

Address: 701 Naxian Road, China (Shanghai)

Pilot Free Trade Zone 4/F, Building 1#

Customer service tel: 4008120755

Official mall : [dumall.baidu.com](http://dumall.baidu.com)



