

Philips VTR5206 Smart Conference Watch User Manual

Manualsum, simplified manuals

Table of Contents

- [Philips VTR5206 Smart Conference Watch User Manual](#)
 - [Welcome](#)
 - [Product Features](#)
 - [Safety Information](#)
 - [Notice](#)
 - [Your Voice Recorder](#)
 - [What's in the box](#)
 - [Overview](#)
 - [Instructions for use](#)
 - [Power on & off](#)
 - [Starting up](#)
 - [Dial plate operation](#)
 - [Voice recording](#)
 - [Recording files](#)
 - [Personal assistant](#)
 - [Phone call](#)
 - [Charging](#)
 - [Technical Parameters](#)
 - [Warranty Terms:](#)

Philips VTR5206 Smart Conference Watch User Manual

Philips VTR5206 Smart Conference Watch User Manual

Shenzhen Jingwah Information Technology Philips Smart Conference Watch User Manual

FCC id: [RBD-VTR5206](#)

[Manualsum](#)



Welcome

Welcome to the world of Philips! We are Philips products. You can have access to full set of technical support on Philips official website, such as user manuals, software downloads, and warranty information, etc.

www.philips.com/support

Product Features

This is an easier and faster operation smartwatch. The watch adopting Philips audio processing technology, it is a multi-functional watch with recording, personal assistant, activity records, etc. The product features are as follows:

- Recording function.
- Connecting to APP for real-time transcription.
- Personal assistant.
- Activity records.
- Weather.
- Phone call.

[Manualsum](#)

Safety Information

1. Do not expose this device to water and moisture to avoid short circuit.
2. Do not expose this device to any heating device or direct sunlight.
3. Be careful not to pinch the cable, especially at the plug.

Notice

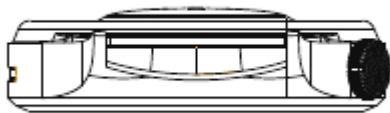
- Special Announcement: Before using the product, please read the Manual carefully. The Company shall not be held liable for any data loss due to incorrect manual operation or force majeure. We specially recommend that users make additional copies of the files in the device.
- Images are for reference only. Philips reserves the right to change the color/appearance/design/parameters/product functions without prior notice.
- It is advised to charge the device for about 2 hours with a conforming charger before the first use.

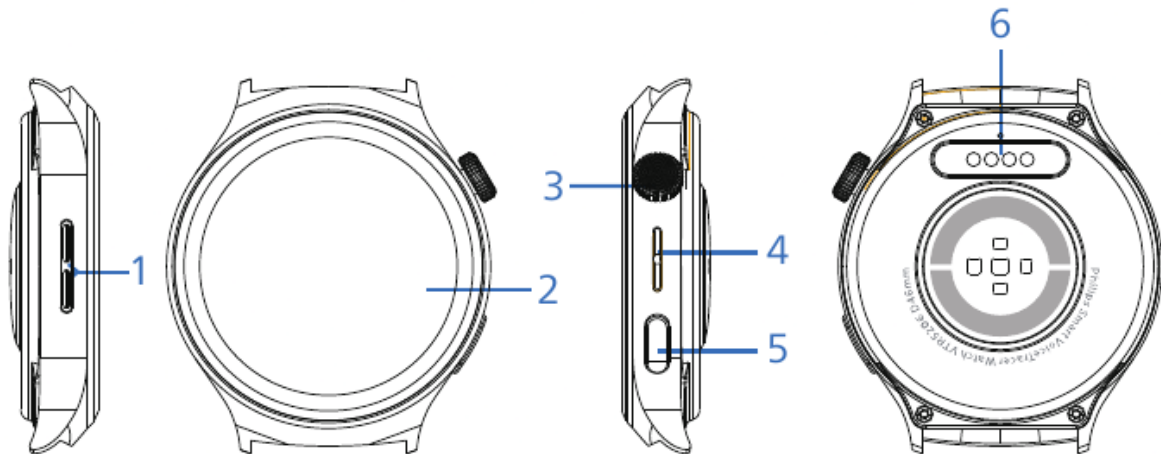
Your Voice Recorder

What's in the box



Overview





1. Speaker
2. Display screen
3. Power /Menu button
4. Microphone
5. Record button
6. Charging contacts

Instructions for use

Power on & off

Long press the power key for 5~6 seconds at the power-off state, the smartwatch will vibrate, Philips icon displays at power-on state. Long press the power key for 5~7 seconds at the power-on state, and a prompt will pop-up, the user can choose to restart or power off the set.

Starting up

After power on, operate according to the prompts, if you need to download APP, click on the interface of the code, download APP binding use, do not need to download can directly press the menu key to exit the interface back to the dial.



APP download path:

1. Scan the QR code on the manual;
2. The QR code on the interface of watch setting-general-connecting cell phone.

APP use and binding:

APP download successfully, open APP, the interface pops up unconnected status, manually point link, watch Bluetooth name named VTR5206_XXXX, you can also check the Bluetooth name of the watch in Settings-General-About this machine, according to the prompts to complete the binding, binding success, APP can operate recording, real-time translation AI intelligent assistant, meeting summary, to-do event reminder settings and soon.

Dial plate operation

- **a.** sliding down the interface, get into the shortcut menu, sliding up to turn back to time display;
- **b.** Sliding up the interface, get into the news interface, sliding down to turn back to time display;
- **c.** Sliding from right to the left, users get into personal assistant function, slide again from right to the left to the active recording, telephone, weather, add a component, etc;
- **d.** Press the menu button to the menu list, menu including: voice recording, active recording, personal assistant, telephone, weather, calendar, alarm clock, second chronograph, calculator, setting.
- **e.** Keep touching the center point of the dial plate, there will be kinds of time display designs for users to choose.

Voice recording

Slide from right to the left or long press the record key to get into the voice recording page to recording interface; touch the recording icon to record, touch the stop icon to stop and save the records. Touch the menu icon on the right side to choose the recording modes, checking recording files, select STT recording. Notice, if select STT recording, please scan the QR code in the STT interface and connect successfully with phone before use.

Recording files

Recording files can be played on the local device; recordings can be played on the computer by connecting the phone through USB.

Personal assistant

Connecting with mobile phone APP and comparing successfully before using personal assistant function; the reminder needs to be set on the mobile, the watch can only show the list.

Phone call

Connect your phone with the APP, after comparing it successfully, you can use the phone call function.

Charging

Use the specialized data cable; while charging, the magnet should match well with the charging contactor. The dial plate will show charging state, after it fully charged, the dial plate will show 100%

Technical Parameters

- **Product Size:** 46.2*46.2*10.9mm
- **Screen size:** 1.43 inch
- **Battery specification:** 350mAh lithium battery
- **Transmission interface:** 4 pin magnetic wire
- **Phonetic matrix:** WAV
- **Net weight:** about 55g
- **Operating temperature:** 0 C~45 C

This product is a well-designed, high-quality digital device, and should show its superior performance on the basis of proper use and maintenance.

The warranty for complete equipment is one year from the date of purchase. The warranty period of the main components shall be subject to the provisions of the national laws and regulations concerning consumers.

The general distributor (Shenzhen Jingwah Digital Technology Co., Ltd.) of Philips tablets in China will provide free warranty service to card-holding users according to the following warranty terms.

Warranty Terms:

The warranty service is valid only under normal use conditions. All artificial damages, such as improper power supply, inappropriate accessories, failure to follow the instructions, damage caused by transportation and other accidents, repairs and modifications beyond our approval, product damage for commercial and industrial purposes, damage arising from misuse or negligence, and damage due to improper installation or natural disasters, etc, will immediately invalidate the warranty service. This warranty service does not cover accessories, auxiliary devices, and transportation fees. Please bring this warranty card and the original invoice when repaired

User's Name:	Model No:	
.....	
Address:	Serial No:	
.....	
Tel.No:	Product Place:	
.....	
Post Code:		
.....		
Company Seal:	Shop name and address:	
.....	
Date of Purchase:	Invoice No:	Tel.No/Post Code:
.....

Product Service Hotline: 400800 7890

Register your product and get support at:

www.philips.com/voicetracer



© 2024 Speech Processing Solutions GmbH. All rights reserved.

This product has been manufactured by and is sold under the responsibility of Speech Processing Solutions GmbH, and Speech Processing Solutions GmbH is the warrantor in relation to this product.

Specifications are subject to change without notice. Philips and the Philips shield emblem are registered trademarks of Koninklijke Philips NV. and are used under license. Document version 1.0, 15/07/24

PHILIPS

VoiceTracer

Smart Watch

VTR5206