

JX Robot L9 lite J Axis Foldable Gimbal User Manual 2APQ9-L9-LITE

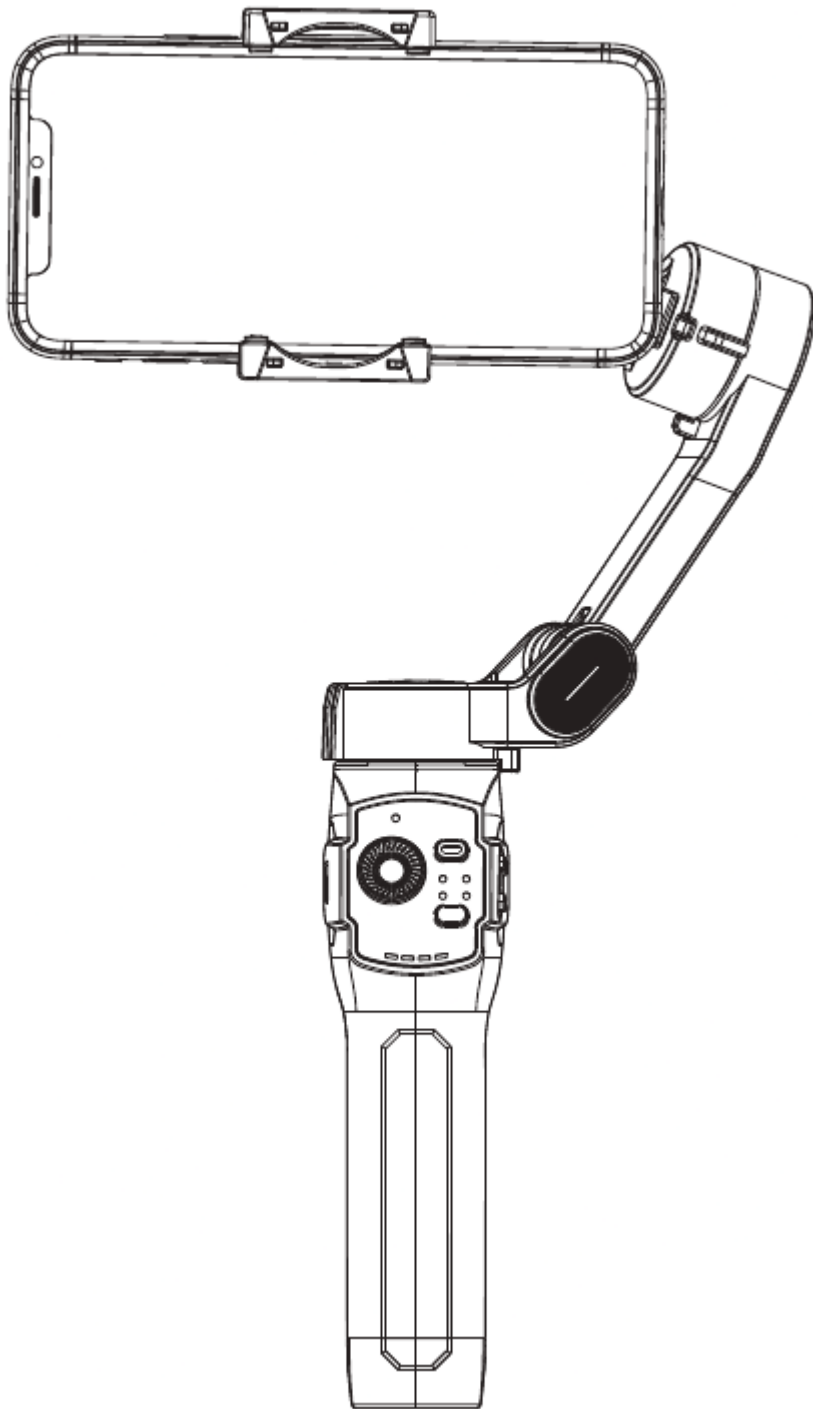
Manualsum, simplified manuals

Table of Contents

- [JX Robot L9 lite J Axis Foldable Gimbal User Manual](#)
 - [About APP](#)
 - [App interface overview](#)
 - [Quick Start](#)
 - [Power On/Off](#)
 - [Gimbal Overview](#)
 - [Operation Modes](#)
 - [Others Functions](#)
 - [Work mode](#)
 - [Underslung mode](#)
 - [Side Grip mode](#)
 - [Charging](#)
 - [Specification](#)
 - [Caution](#)
 - [Storage and maintenance](#)

JX Robot L9 lite J Axis Foldable Gimbal User Manual

(2APQ9-L9-LITE)



*Smartphone is not included

About APP

This gimbal support capturing pictures/taking videos by native camera when connect to the bluetooth. Any special photography request like Inception, Dolly zoom, Panoramic need be used in APP. nDownload the APP

Way 1:

iOS smartphone search the “Gimbal pro” on Apple Store;

[Manualsum](#)

Android smartphone search the “Gimbal pro2” on Play Store;

Way 2:

Scan below QR code to download and install.



Tips: The app supports iOS 12.0 and higher or Android 8.0 and higher.

Connect with the smartphone

1. Activate bluetooth on your smartphone;
2. Switch on gimbal;
3. Go to the app and search for available bluetooth devices, select the device named “GP9_XX”, the connection will be established automatically.

App interface overview



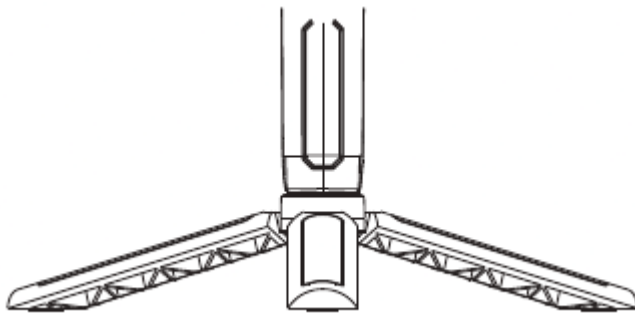
1. Video/Photo/Vliog mode
2. Shooting function select

3. Shoot button
4. Front/Rear camera switch
5. Album
6. Bluetooth icon
7. Face/object tracking
8. Gimbal condition display
9. Gimbal power display
10. Flash
11. Phone power display
12. Home page
13. Camera parameters
14. Gimbal mode adjust
15. Settings
16. Gesture control (* only works in iOS system)

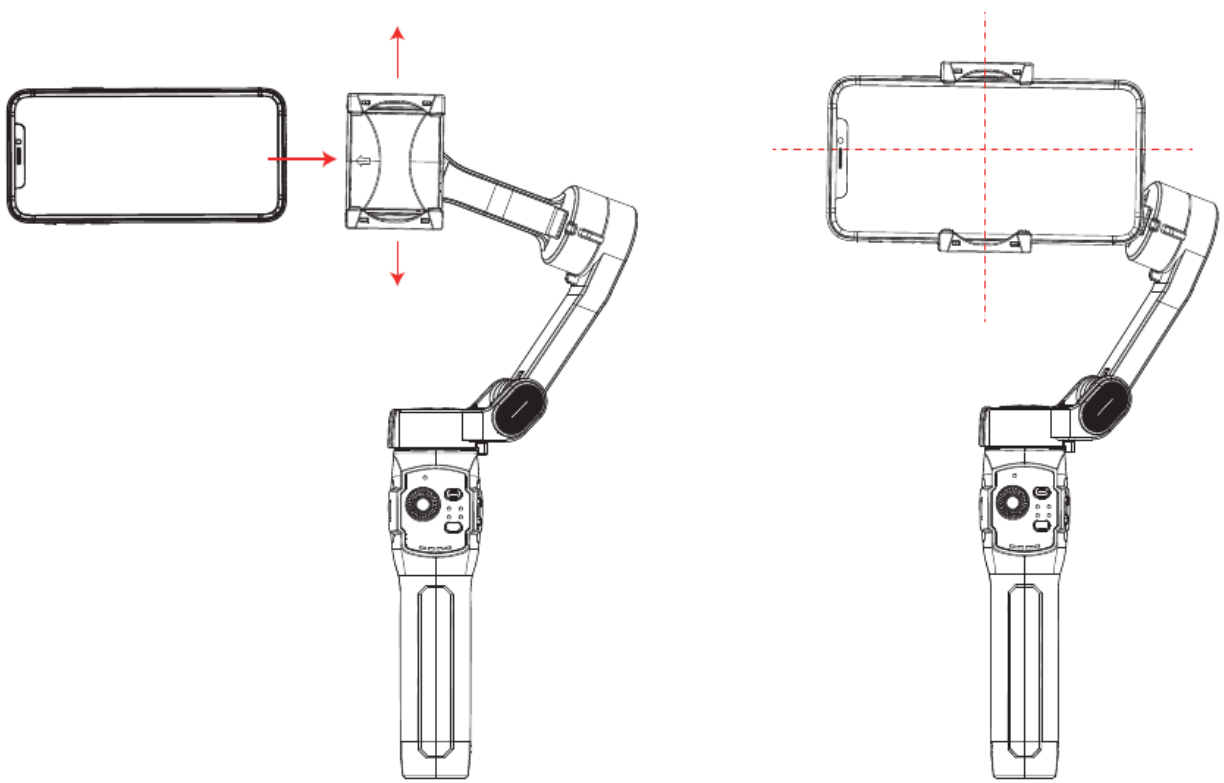
Quick Start

This product supports powering on without a smartphone, and allows the phone to be removed even during use when you receive a call.

1. Install the tripod to gimbal.

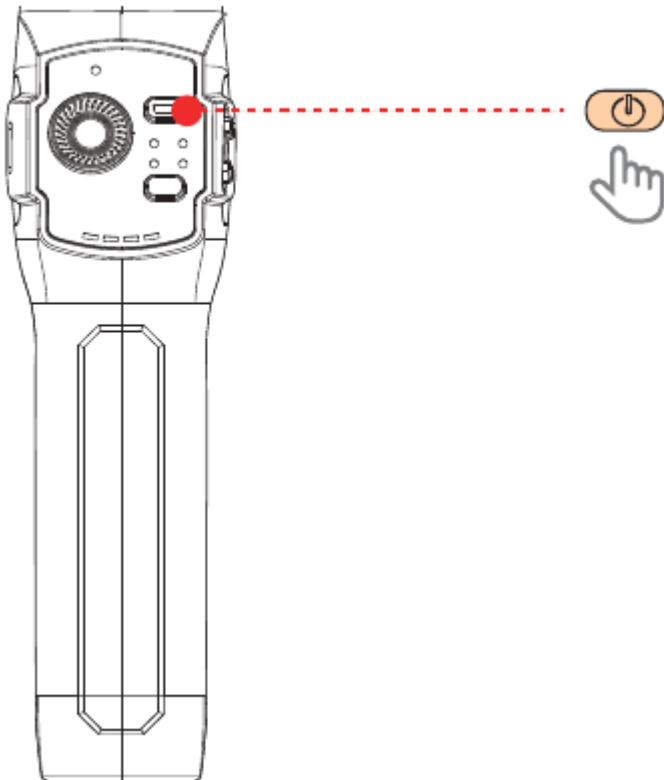


2. Insert the smartphone on gimbal according to the direction of the red arrow, remove the smartphone case before inserting, make sure the holder is at the middle of smartphone.



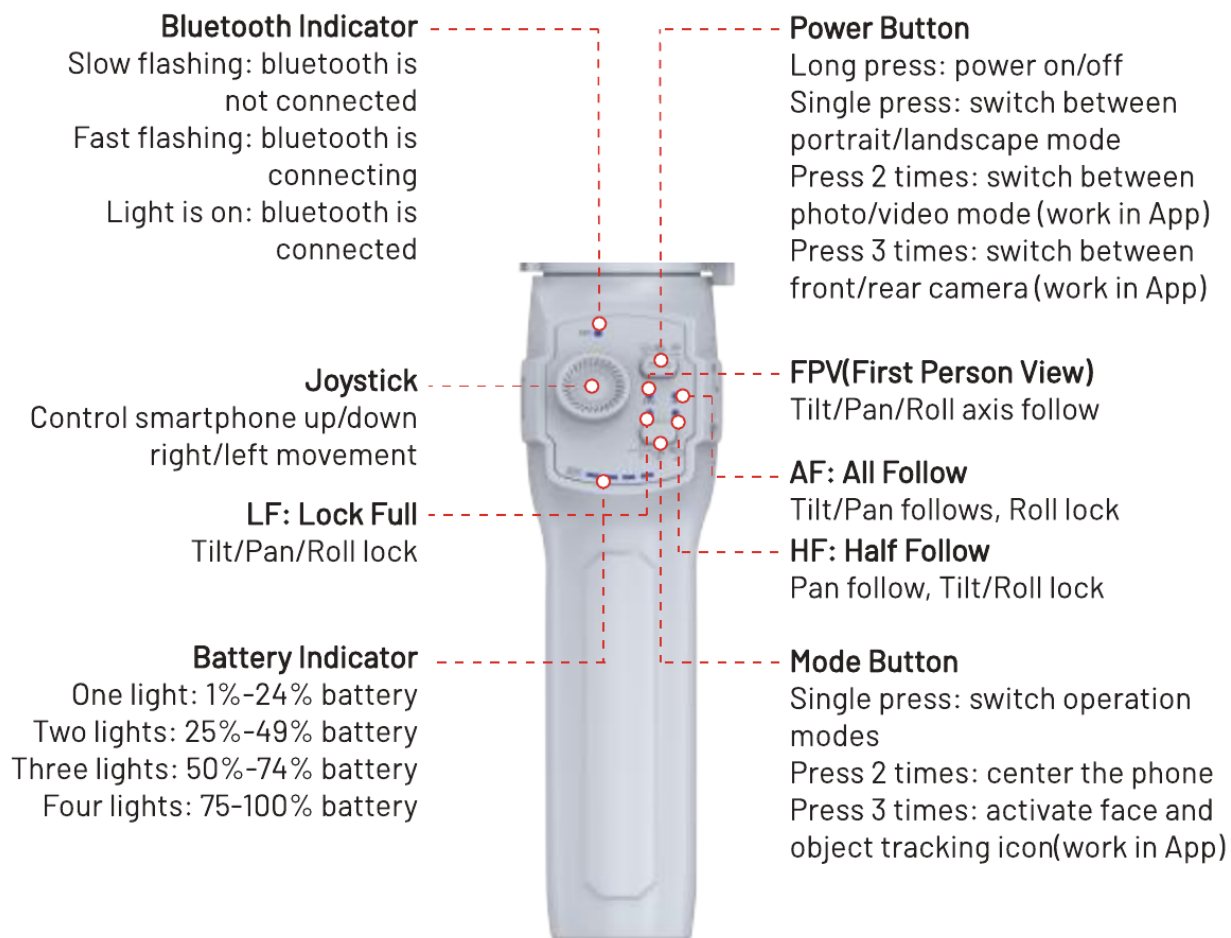
Power On/Off

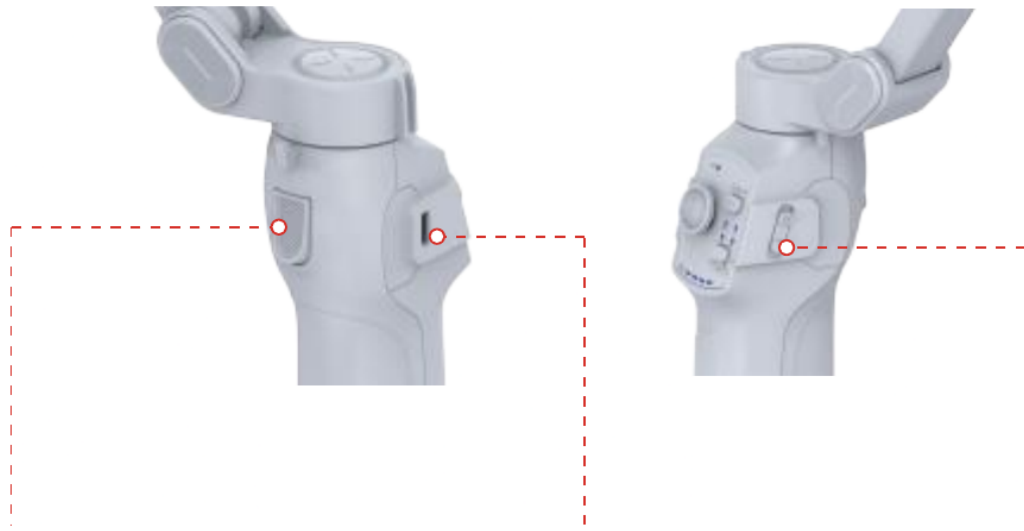
Press and hold the power button to power on and off.



Note: Please make sure that smartphone is firmly attached to prevent vibration or jerking of the gimbal.

Gimbal Overview





Shutter Button

Picture mode

Single press: take photo

Long press: continuous photography

(work in APP)

Video mode

Single press: start/stop recording

Twice press: pause video shooting,
twice press again to recover

(work in APP)

Triple press: capture photos during
recording (work in APP)

Type-C port

Charge for gimbal

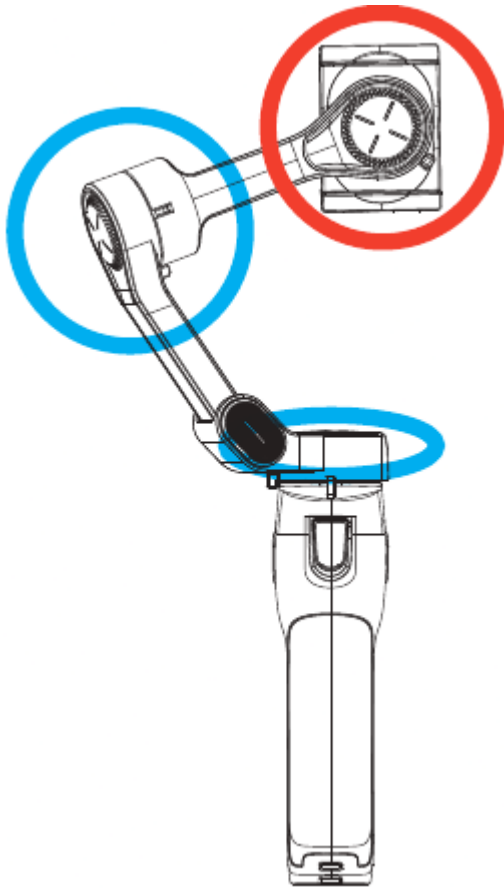
Zoom

Zoom in/out

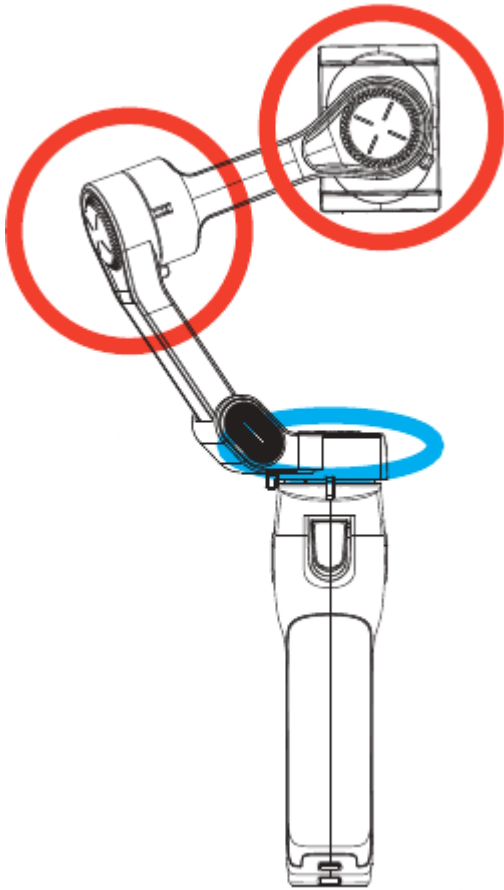
Tips: press the shutter button and power button at the same time to reset the bluetooth name, unpair with previous smartphone, then can pair with another smartphone

Operation Modes

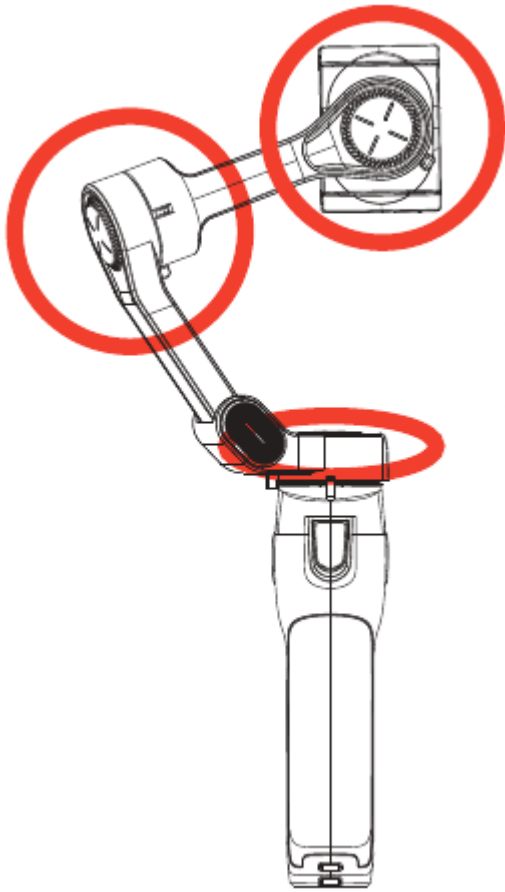
All Follow(AF): The Roll axis is locked, the Pan (left/right) and Tilt (up/down) axes will follow the movement of handle.



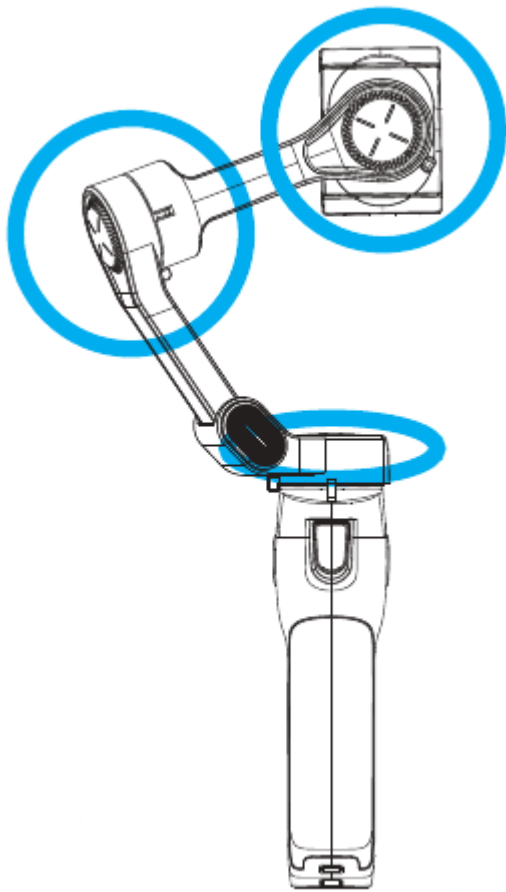
Half Follow(HF): Tilt & Roll axes are locked. Pan axis rotates (left/ right) smoothly with the handle.



Lock Full(LF): Pan,Tilt, Roll axes are all locked. The camera remains still and stable, which means the camera cannot follow the movement of the handle.



First person view(FPV): Pan, Tilt, Roll axes follow the movement of the handle.



Others Functions

Work mode

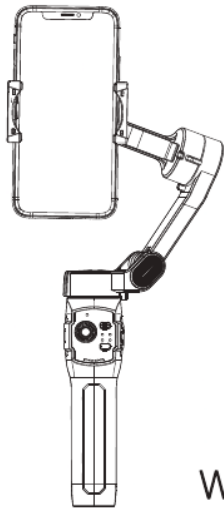
Works with both landscape and portrait modes

Underslung mode

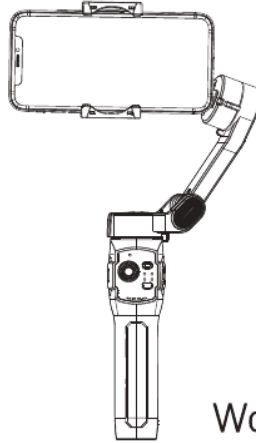
Hold the gimbal upside down to enter underslung mode, in order to capture images from low position

Side Grip mode

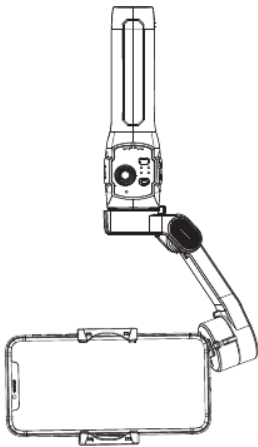
Rotate gimbal to the right or left by 90° to go from upright to side grip mode, works in both landscape and portrait modes



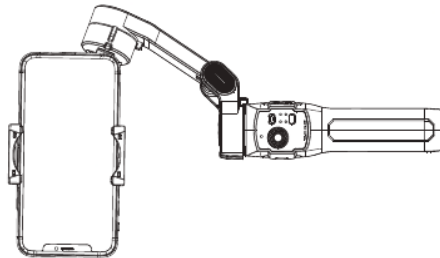
Work mode-portrait



Work mode-landscape



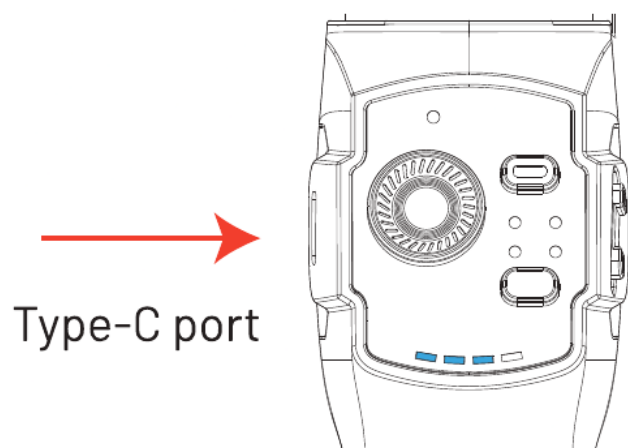
Underslung mode



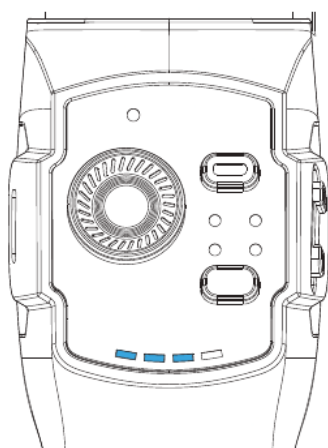
Side grip mode

Charging

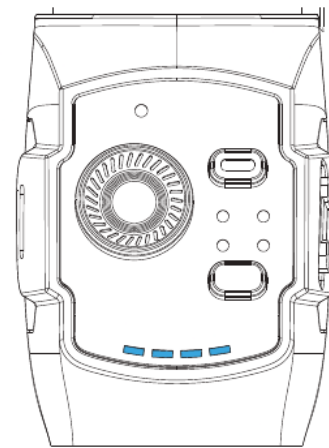
This product supports fast charging, suggest to use 5V/2A adapter to charge for the gimbal



Type-C port



Charging



Charging is completed

Specification

Pitch Angle	160°
Roll Angle	325°
Pan Angle	340°
Controllable Tilt Angle	+45° / -45°
Controllable Roll Angle	+100° / -220°
Controllable Pan Angle	+220° / -100°
Net Weight	378g
Dimension	Unfold: 275x135x79mm Folded: 173x100x42mm
Support Smartphones	Diagonal: 192mm or <<7.72inch Width: 55-90mm Thickness: 7-12mm
Input Voltage	5V
Input Currency	2A
Working Temperature	0C-40C

Caution

1. Ensure the motor rotation is not blocked by external force during and after the stabilizer is powered on;
2. Please do not contact with sea water or corrosive liquid;
3. Please do not disassemble the stabilizer (except for the detachable accessories in the manual);
4. If the motor works continuously for along time, the surface temperature of the motor may be too high.
5. It is strictly forbidden to drop or collide with the stabilizer, which may damage it and cause abnormal operation;

Storage and maintenance

1. Please keep this product away from children and pets;
2. It is forbidden to put the product near the heat source (furnace or heater, etc.) and in the car at hot weather;
3. Please store the product in a dry environment;
4. Do not overcharge or discharge the battery, otherwise the battery cell will be damaged;
5. Do not use the product in the environment with too high or too low temperature;