

[Shenzhen Kayak Technology Rotating Display Stand User Manual](#)

[Manualsum](#), simplified manuals

Table of Contents

- [Shenzhen Kayak Technology Rotating Display Stand User Manual](#)
 - [Product description](#)

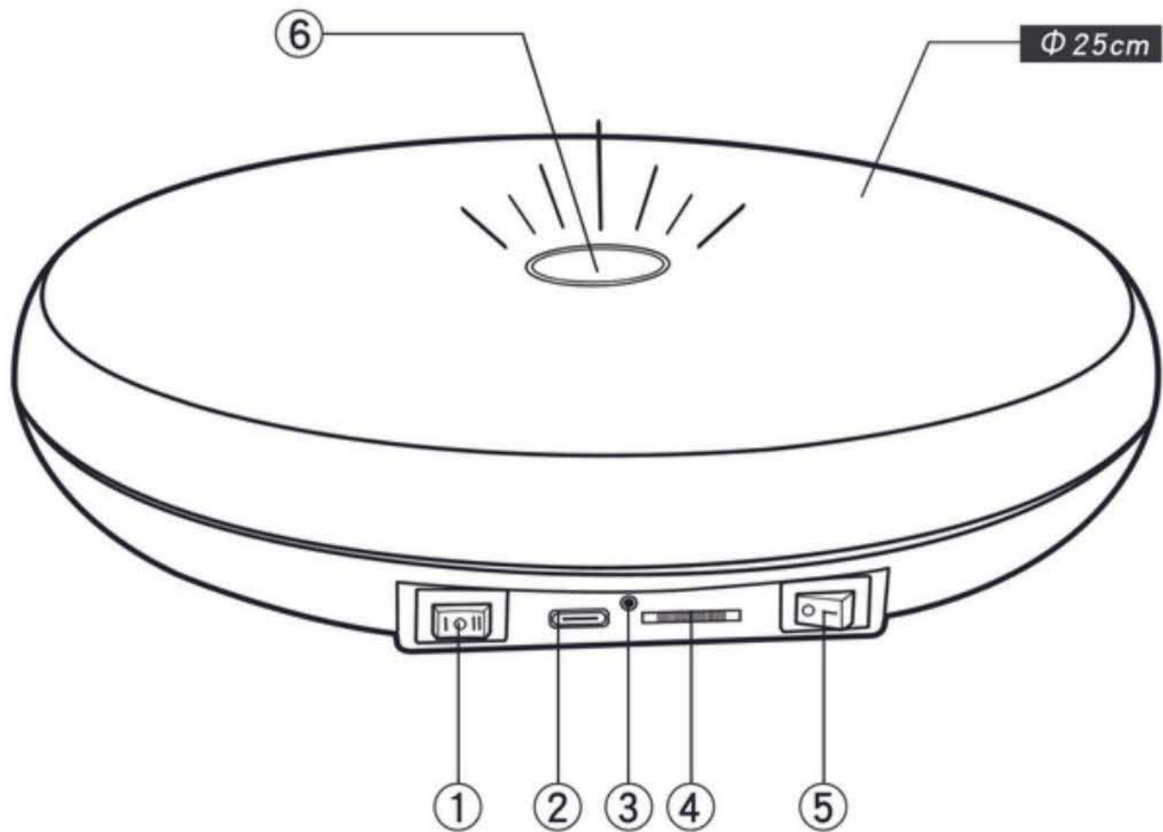
Shenzhen Kayak Technology Rotating Display Stand User Manual

Shenzhen Kayak Technology Rotating Display Stand User Manual

FCC id: [2BH8R-B0BZ7JS2B2](#)

Product description

Thank you for purchasing our products, for you to better understand the products. Please read this manual carefully before use.



1. Switch of rotation: | - Clockwise rotation || - Counterclockwise rotation O - Stop rotation
2. USB interface: 5V2A Type-c
3. Light of power: Green light (start) Red light (rotation)
4. Speeds of rotation: 22 — 60s/circle
5. Switch of light
6. LED Light