

# [Shenzhen Mgctech Wireless Car Charger User Manual](#)

## [Manualsum](#), simplified manuals

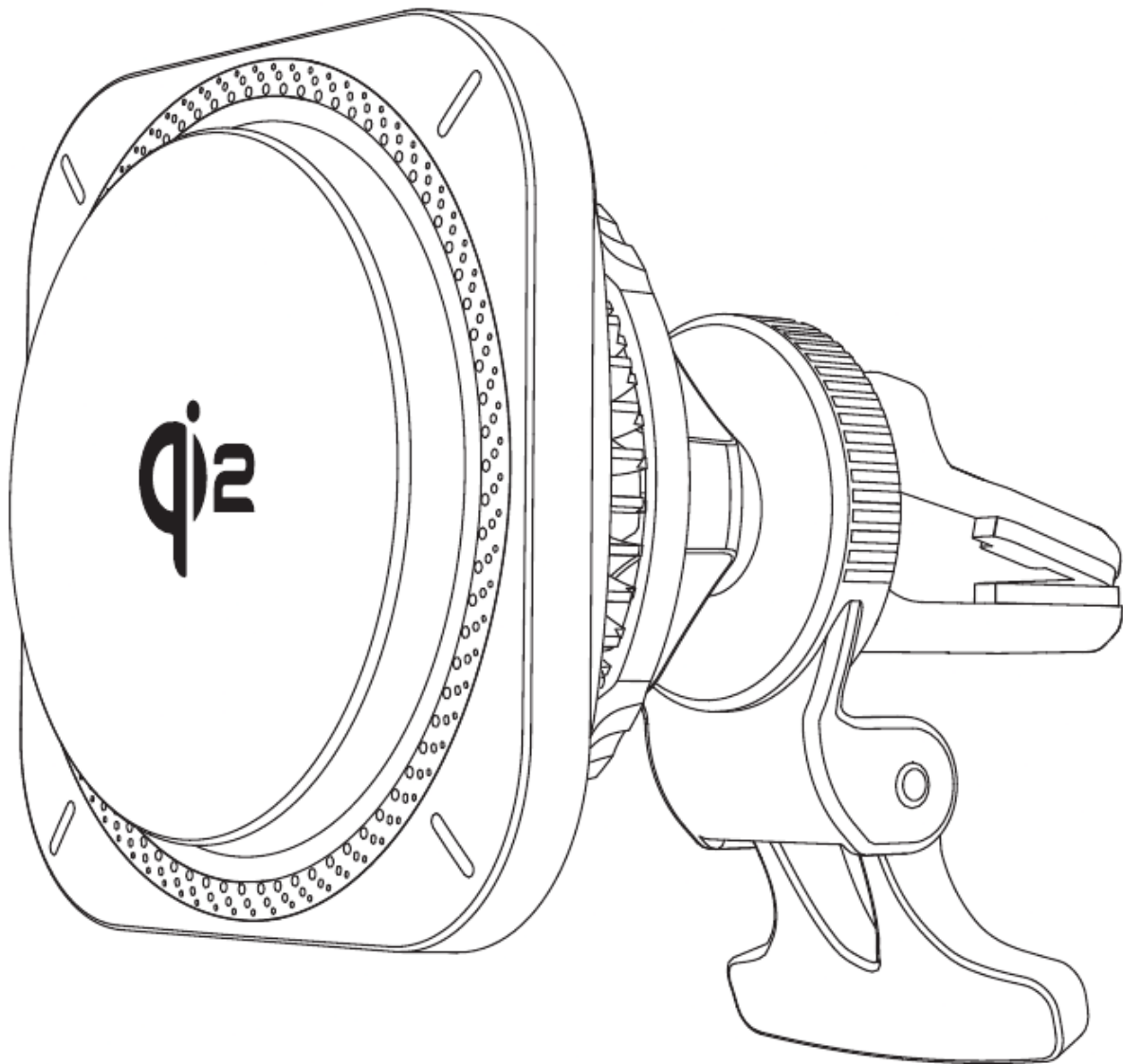
### Table of Contents

- [Shenzhen Mgctech Wireless Car Charger User Manual](#)
  - [Product Features](#)
  - [Product Operating Guide](#)
  - [Product Parts Description](#)
    - [Parts List](#)
  - [Specifications](#)
  - [Attention :](#)

# Shenzhen Mgctech Wireless Car Charger User Manual

Shenzhen Mgctech Wireless Car Charger User Manual

FCC id: [2AVSB-IC-20CSQ](#)



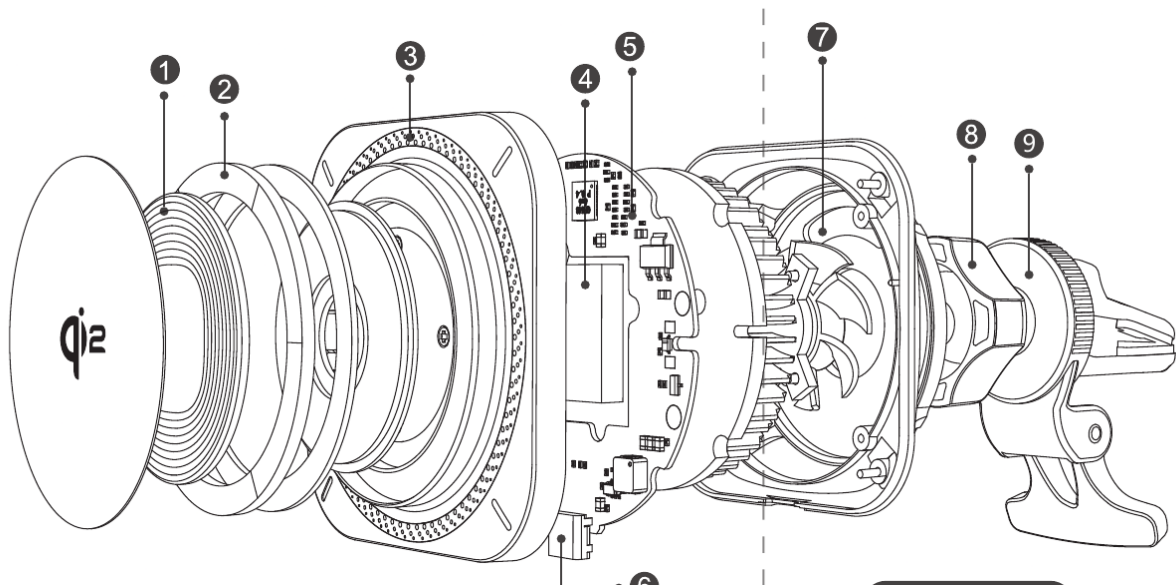
## Product Features

1. Built-in strong magnets, easier for one-hand operation.
2. Built-in smart semiconductor chilling plate and cooling fan, the fan will start working when the wireless charging starts, the chilling plate cools the wireless charging coil and the phone surface simultaneously to improve the wireless charging efficiency. The semiconductor chilling plate stops working when the phone is removed.
3. Standby mode: The RGB light running three laps and it keeps green.
4. Charging mode: The colorful lights of the fan change gradually, the light goes off once removed the receiver.
5. FOD function: when put metal or magnet objects on the charger, the wireless charging stops working and the phone does not charge.
6. Perfect protective function based on over-voltage, over-current, over-temperature and short-circuit protection.

# Product Operating Guide

1. Please make sure the product connect to the power before using.
2. The product stop charging when the current is too large or there is foreign object. Do not wireless charging the phone if similar situation happened.
3. Please purchase the wireless receiver module or case separately (Not included in the product) if your phone do not support wireless charging.
4. The power input is 5V-12V, when placed the phone and wireless charging starts, the chilling plate works and the fan rotates. When the phone is removed, the chilling plate stops working and the fan stops rotating 30 seconds later.
5. It is recommended to use phone case less than 2mm thick. The product cools the phone backside surface too thickness phone case will affect the cooling effect.

## Product Parts Description



## Parts List

1. Charging Transmitter Coil
2. Magnet
3. RGB Light
4. Electronic Refrigeration
5. PCB
6. Type-C Charging Port
7. Cooling Fan
8. Knob
9. Vent Clip

## Specifications

**Input**

DC 9V/3A, 5V/3A

[Manualsum](#)

**Output** 15W/5W  
**Product Standard** Qi2  
**Charging Distance** <10mm  
**Charging Efficiency** <80%  
**Product Dimension** 71.7\*45\*71.7mm  
**Product Material** ABS+Tempered Glass

**Fast wireless charging requires QC or PD adapters.**

## **Attention :**

1. Please do not vigorously extrude or collide.
2. Please do not dismantle or put it into fire or water when the product is power on, to avoid short circuit or leakage.
3. Please do not use it in severely high temperature, high humidity or corrosive environment, to avoid damage to the circuit leakage
4. Please do not put the magnetic strip or chip card (Such as ID card, bankcard etc.) on the charging pad to avoid to cause magnetic card lose efficacy.
5. Please do not put the metal (Such as coin etc.) on the charging pad when charging, to avoid damage from heating.

**Note:** This product is applicable to all Qi standard wireless charging phones, other phones need an external receiver for wireless charging function.