

# Shenzhen MgcTech Wireless Charger User Manual

## Manualsum, simplified manuals

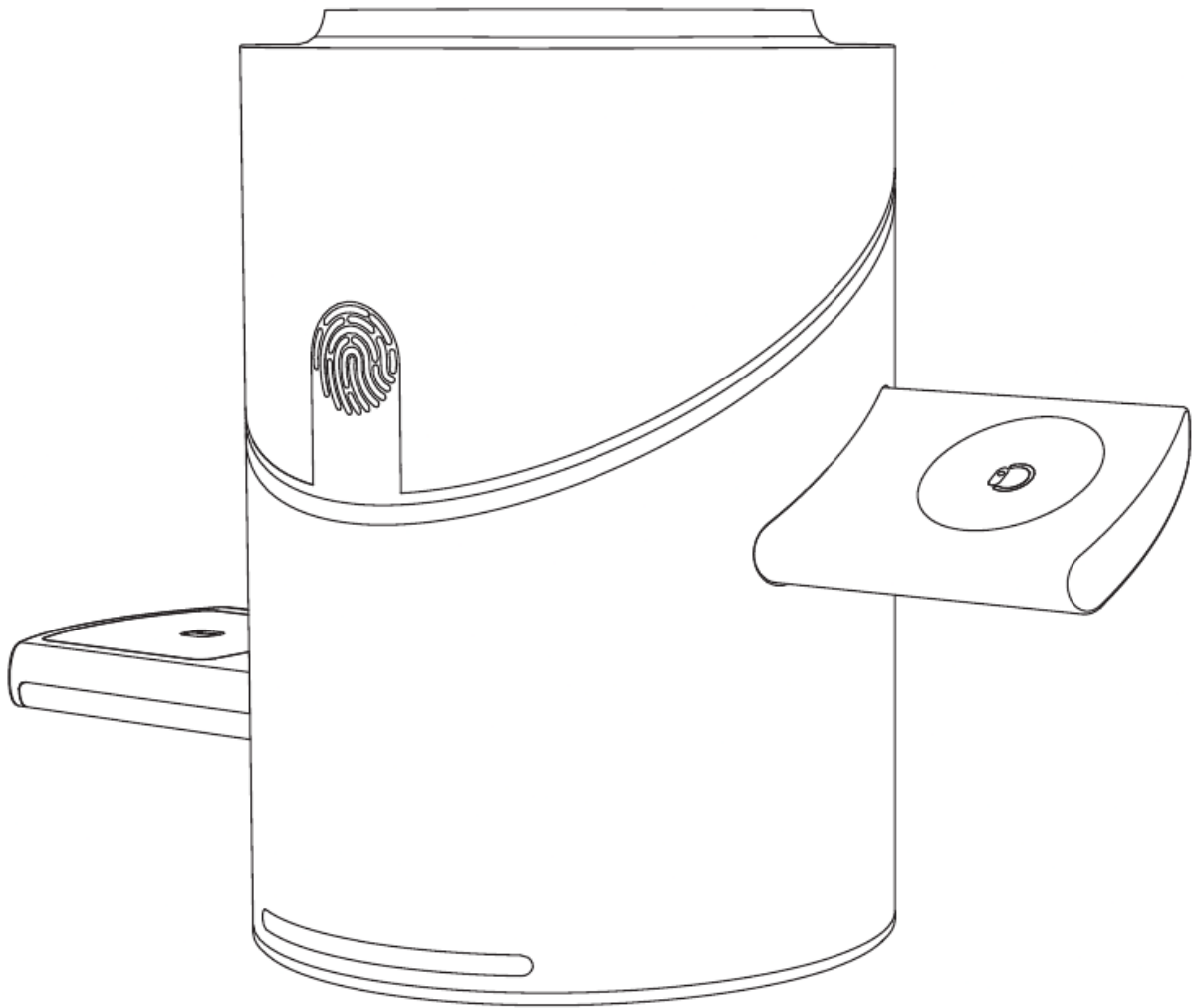
Table of Contents

- [Shenzhen MgcTech Wireless Charger User Manual](#)
  - [Product Introduction](#)
  - [Product Usage Guide](#)
  - [Product Parts Description](#)
  - [Specifications](#)
  - [Indicators and Protection](#)
  - [Attention](#)

# Shenzhen MgcTech Wireless Charger User Manual

Shenzhen MgcTech Wireless Charger User Manual

FCC id: [2AVSB-CB-T10](#)



## Product Introduction

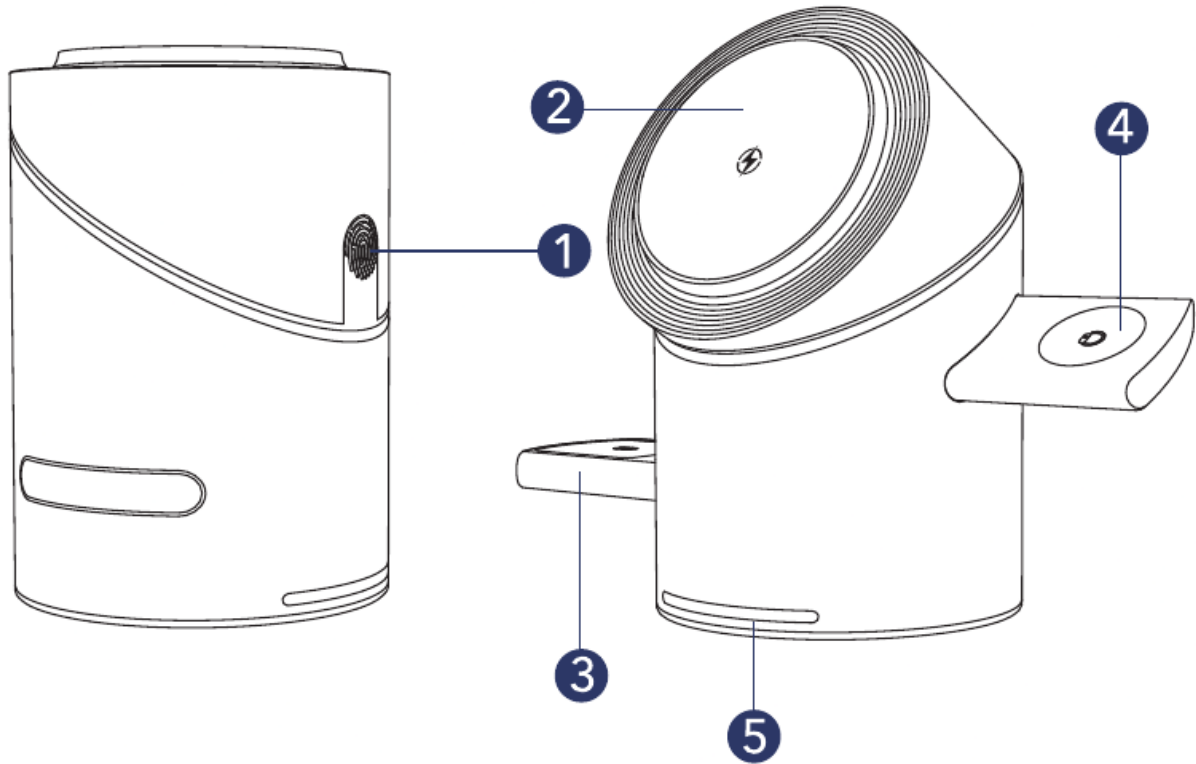
This is a multifunctional desktop magnetic 3 in 1 auto rotation wireless charger, which can wirelessly charge mobile phones, headphones, and watches at the same time by power supply. Bid farewell wired shackles and start wireless experience.

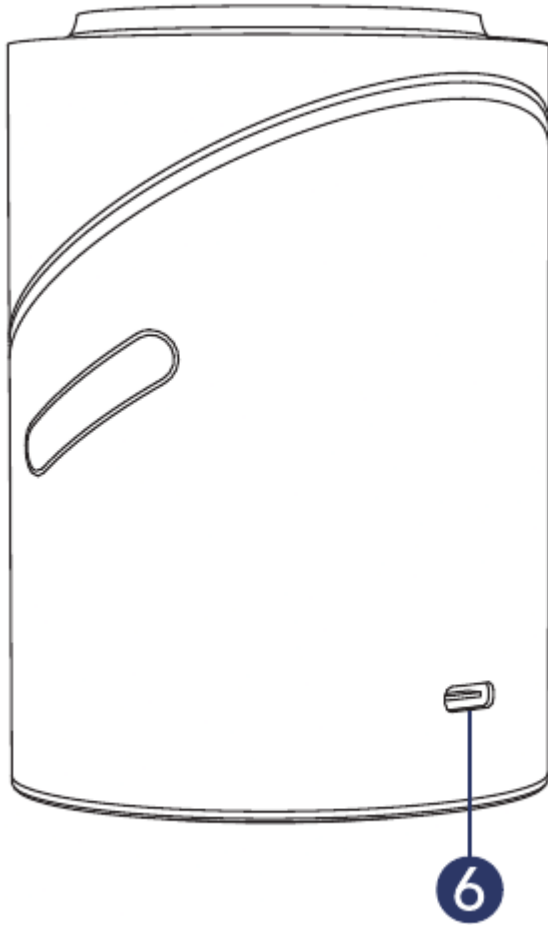
## Product Usage Guide

1. Please connect the product through the Type-C quick charging cable to the QC or PD above power adapter, to ensure that it supports fast wireless charging.
2. Built-in stepper motor and touch button to support wireless charger automatic rotation function, to compatible with different size of gi-enabled smartphones.
3. Press and popup the iWatch charging stand, place the Apple Watch to start wireless charging with 2.5W output.
4. Press and popup the earphone charging stand, place the earphone case to start wireless charging with 2.5W output.

5. Touch-sensitive design that allows for the automatic rotation of your smartphone with different viewing angle. (Please do not rotate it by hands to avoid of damage the product. Please reconnect the power supply and touch button to adjust it to the correct position .)

## Product Parts Description

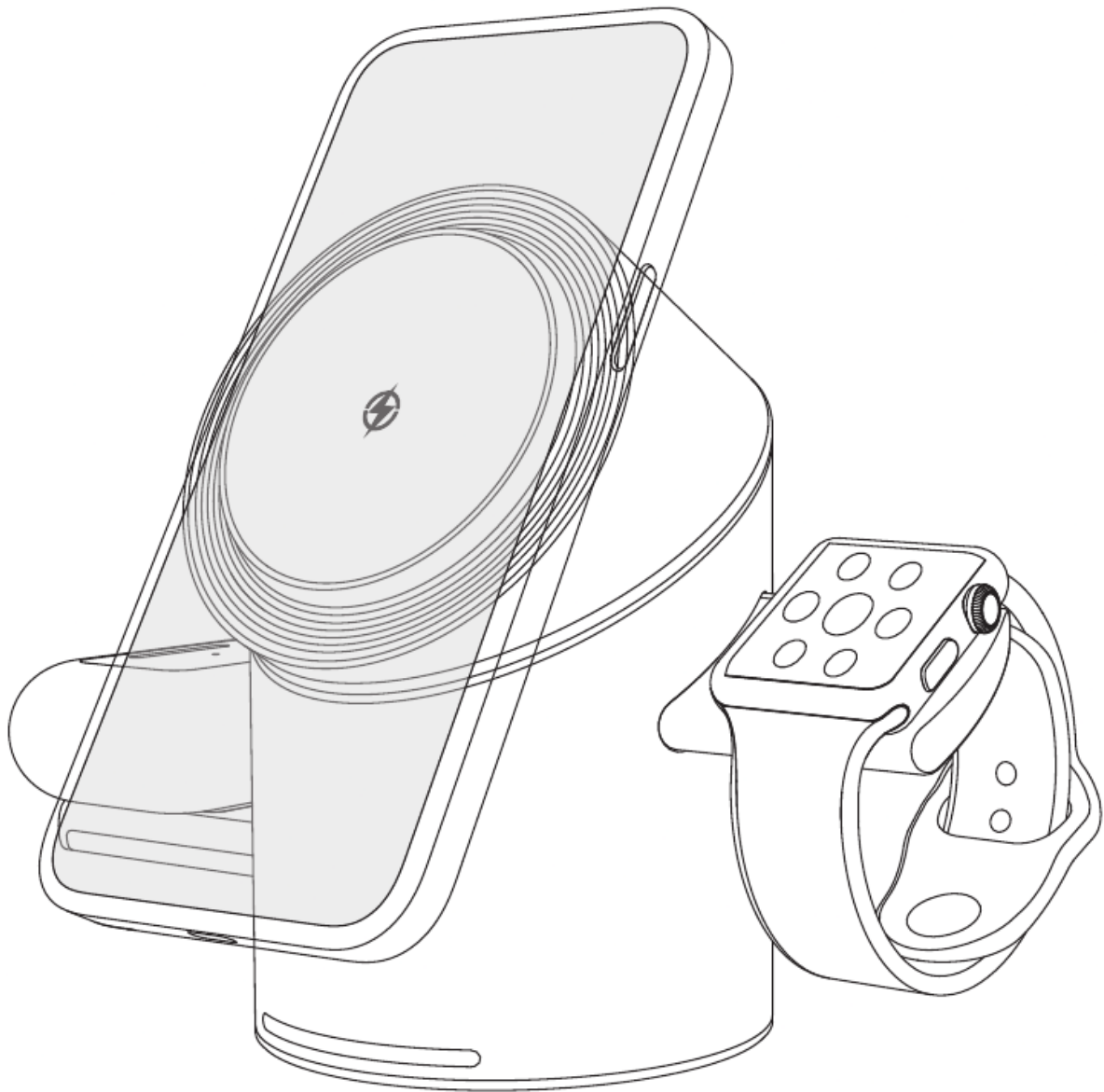




1. Touch button for rotation
2. Charging area for phone
3. Charging area for earphone
4. Charging area for watch
5. Indicator Light
6. Type-C input port

## Specifications

- **Input:** DC 5V/3A, 9V/3A
- **Phone Output:** 5W, 10W, 15W
- **Product Standard:** Qi
- **Earphone Output:** 2.5W
- **Watch Output:** 2.5W
- **Charging Distance:** <10mm
- **Charging Efficiency:** <80%
- **Product Dimension:** 76\*76\*109mm
- **Product Material:** Aluminum Alloy + Tempered Glass
- **Input interface:** Type-C port



## **Indicators and Protection**

1. Standby mode: the white LED light keeps on.
2. Charging mode: the ice blue LED light keeps on.
3. FOD function: when put metal or magnet objects on the charger, the ice blue LED light will flashes 6 times and stops charging.
4. Perfect protective function based on over-voltage, over-current, over-temperature and short-circuit protection.

## **Attention**

1. Please do not vigorously extrude or collide.
2. Please do not dismantle or put it into fire or water when the product is power on, to avoid short circuit or leakage.
3. Please do not use it in severely high temperature high humidity or corrosive environment, to avoid damage to the circuit leakage.

4. Please do not put the magnetic strip or chip card (Such as ID card, bankcard etc) on the charging pad to avoid to cause magnetic card lose efficacy.
5. Please do not put the metal (Such as coin etc.) on the charging pad when charging, to avoid damage from heating.