

Tea making machine user manual

Manualsum, simplified manuals

Table of Contents

- [Tea making machine user manual](#)
 - [Product introduction](#)
 - [Automatic tea making machine:](#)
 - [Automatic tea making machine model:](#)
 - [Model definition: /](#)
 - [Model classification: Third generation V3.0](#)
 - [Exterior](#)
 - [Tea making machine size](#)
 - [Tea making machine V3.0:](#)
 - [Tea making machine features](#)
 - [Features](#)
 - [Automatic tea making:](#)
 - [Various flavor options:](#)
 - [Customization options:](#)
 - [Quickly make:](#)
 - [Cooling function:](#)
 - [Cleaning and Maintenance:](#)
 - [QR code integration:](#)
 - [wireless function:](#)
 - [Low temperature storage:](#)
 - [Thermostatic control:](#)
 - [Food classification:](#)
 - [Temperature range:](#)
 - [Product features](#)
 - [It adopts famous brand fully enclosed compressor with low noise and low power consumption.](#)
 - [Use digital display and microcomputer intelligent temperature control technology to make the working status of the product and the temperature inside the cabinet clear at a glance](#)
 - [Designed with high-quality stainless steel material, durable and easy to clean.](#)
 - [The appearance is beautiful and generous; the box body and door body are made of high-pressure polyurethane foaming, which has good thermal insulation effect.](#)

- [It adopts built-in evaporator and fin condenser with advanced technology and fast cooling speed.](#)
 - [Detachable door seal makes cleaning more convenient.](#)
 - [Commercial kitchen freezer products refer to executive standards: /T7244, SB10424.](#)
 - [Technical specifications](#)
 - [Freezer technical parameters](#)
 - [Introduction to tea making machine components and control panel](#)
 - [Refrigeration cabinet parts](#)
 - [Boot operation](#)
 - [Insert the power plug into the socket, turn on the power switch on the digital display controller, and the unit enters the start-up state.](#)
 - [In order to protect the compressor, a 2-minute delay protection is required before it can enter refrigeration operation. At this time, the refrigeration indicator light flashes.](#)
 - [After 2 minutes, when the temperature inside the cabinet is greater than the set rated temperature, the unit starts and enters refrigeration operation. At this time, the digital display controller refrigeration means that when the temperature inside the cabinet is less than the set rated temperature, the unit stops and the digital display control The cooling indicator light of the unit goes out, so the unit starts and stops between the set rated temperature and temperature difference, and works in a repeated cycle.](#)
 - [Shutdown operation:](#)
 - [Display function](#)
 - [The digital display box on the controller displays the real-time temperature inside the cabinet](#)
 - [When the unit is running, the refrigeration indicator light is on. When the temperature inside the cabinet reaches the control temperature, the unit stops and the refrigeration indicator light goes out.](#)
 - [When the storage temperature probe is short-circuited or the high temperature exceeds the limit \(greater than 45°C\), “SIH” is displayed; when the storage temperature probe is open-circuited or the low temperature exceeds the limit \(less than -45°C\), “SIL” is displayed. At this time, the timing work is entered. mode, the unit runs for 45 minutes and stops for 15 minutes](#)
 - [control panel parts](#)
 - [Select your own store and click to enter.](#)
 - [Click “Authorize New Device”](#)
 - [Select the equipment model corresponding to your machine: A20-1.25m, A25-1.5m](#)
 - [Hardware version directly select: HO3](#)
 - [Customer number: Select your corresponding Naixue or table cover](#)
 - [Finally, click “Authorize” and wait for the staff’s authorization](#)

- [Precautions and troubleshooting during use](#)
- [troubleshooting](#)
- [special attention items:](#)
- [Maintenance and cleaning](#)
 - [The unit condenser filter should be cleaned](#)
 - [First disconnect the power supply of the refrigerator](#)
 - [Take out the filter from the condenser and remove dust and oil](#)
 - [The inside and outside of the freezer should be cleaned frequently and kept clean to avoid generating odor and affecting performance and appearance](#)
 - [First disconnect the power supply of the refrigerator](#)
 - [Wipe the outside of the cabinet with a soft cloth dipped in neutral detergent \(such as detergent, etc.\) then wipe of the detergent with clean water, and finally dry the cabinet with a dry rag.](#)
- [Warning](#)

Tea making machine user manual

Tea making machine user manual

([2BHC2-Z3B26](#))

Product introduction

Product name and model

Automatic tea making machine:

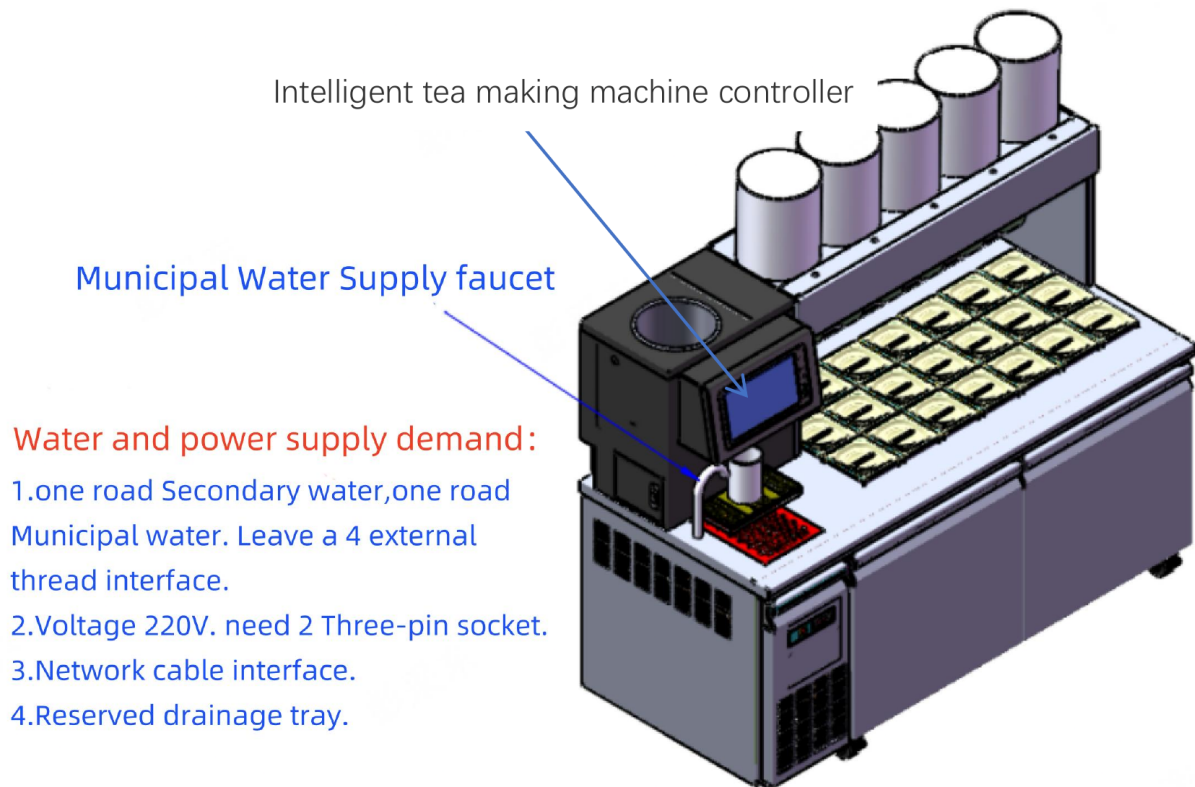
An automatic tea making machine is an automated device designed to make milk tea drinks. It usually includes one or more warehouses for storing milk tea raw materials (such as tea soup, dairy products, fructose, etc.), as well as a system for automatically mixing and making milk tea. You can select milk tea or fruit tea of different flavors and specifications through simple operations or pressing buttons, and then the machine will automatically complete the production steps such as proportioning, discharging, mixing, and cooling.

Automatic tea making machine model:

Model definition: /

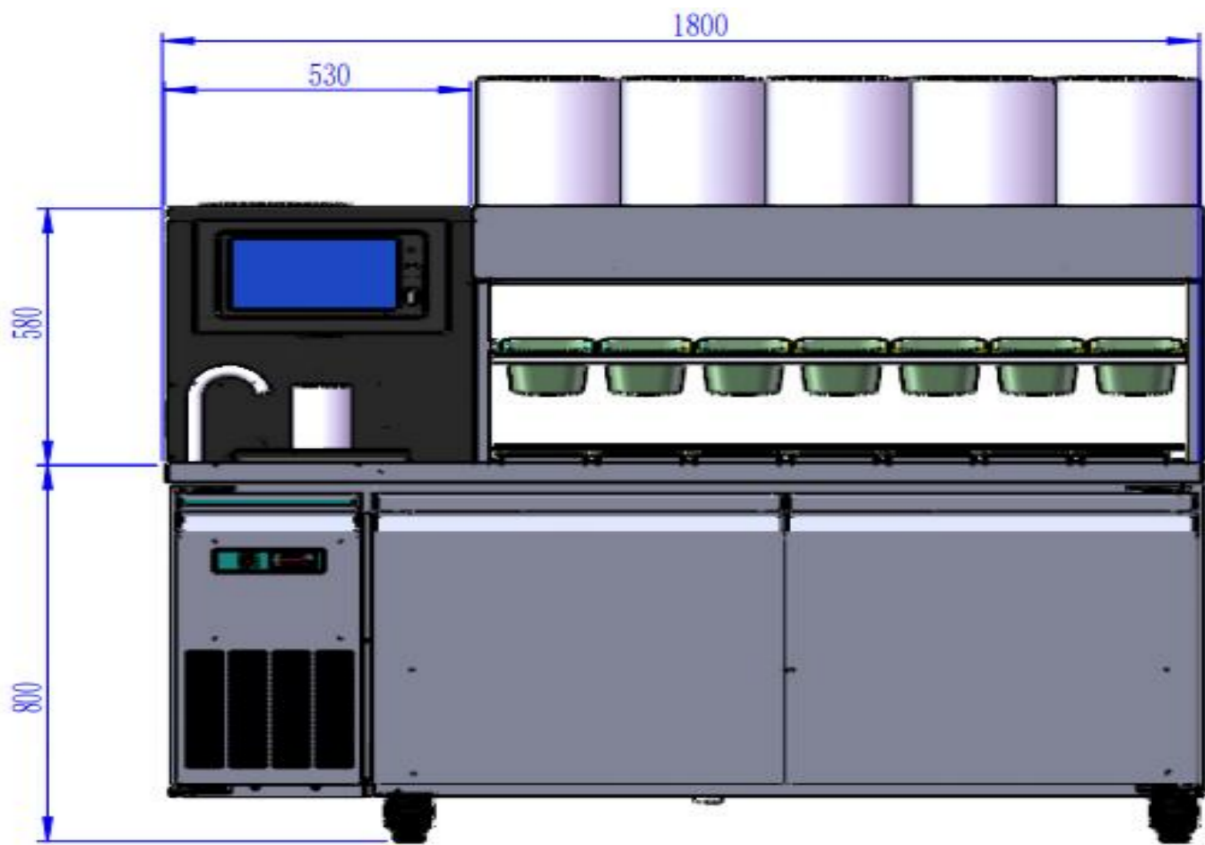
Model classification: Third generation V3.0

Exterior

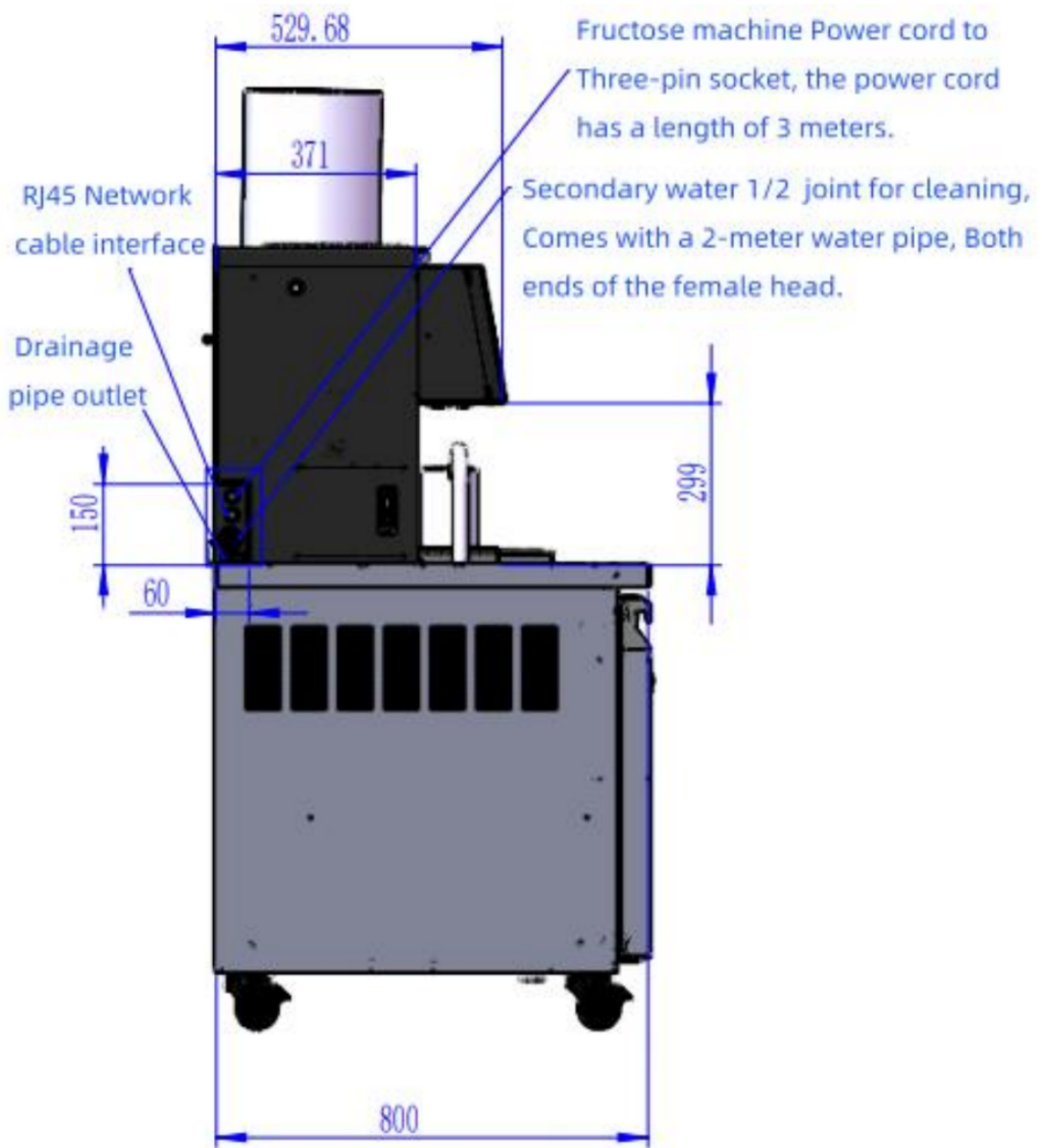


Tea making machine size

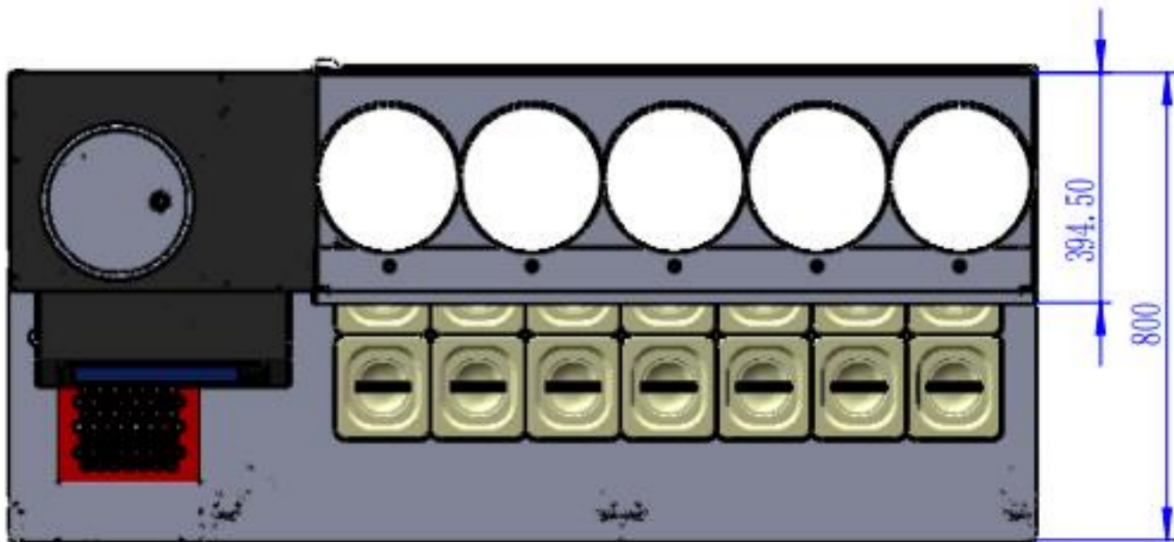
Tea making machine V3.0:



(Front view - Figure 1)



(Left view - Figure 2)



(Top view - Figure 3)

Tea making machine features

Features

Automatic tea making:

The main function of the tea making machine is to automatically mix and make milk tea. Different flavors and specifications of milk tea can be selected according to the user, and then the machine will automatically complete the mixing.

Various flavor options:

Tea making machines usually provide a variety of flavors of milk tea, including classic milk tea, green tea milk tea, fruit tea, etc., to meet the taste preferences of different customers.

Customization options:

The tea making machine allows users to customize milk tea, such as adjusting sugar concentration, milk tea concentration and other parameters.

Quickly make:

Under the precise control of pulses by gear pumps and peristaltic pumps, the tea making machine can usually make fruit tea in a short time and is suitable for fast-paced business environments such as coffee shops and fast food restaurants.

Cooling function:

The tea making machine has a heat preservation function that can keep the milk tea ingredients at a suitable temperature before making, ensuring that customers enjoy the freshest tea.

Cleaning and Maintenance:

The tea making machine is designed with cleaning pipes for easy cleaning and maintenance to ensure hygiene and long life.

QR code integration:

The tea making machine integrates a QR code system, allowing customers to easily scan the code to confirm orders and improve service efficiency.

wireless function:

Supports Bluetooth, WiFi (optional), and network cable interface communication

Bluetooth Supports Bluetooth version 4.2 and below

Wireless network The frequency band supports 2.4GHz

Low temperature storage:

The main feature of a cold room is its ability to maintain relatively low temperatures, usually between 0°C (freezing point) and 5°C, which can sometimes be adjusted to lower temperatures to extend the freshness of food.

Thermostatic control:

The refrigerator compartment has a constant temperature control function to ensure that drinks will not freeze due to low temperatures and maintain quality.

Food classification:

Usually there are different storage areas in the cold storage room, which can be used to store juices, snacks, and tea soups in categories. For example, juices include milk, grapefruit juice, grape juice, etc.; snacks include pudding, oatmeal, pearls, etc.;

Temperature range:

The temperature range of the cold room is between 0°C and 5°C, which helps to slow down the spoilage of food, but does not freeze the food.

Product features

It adopts famous brand fully enclosed compressor with low noise and low power consumption.

Use digital display and microcomputer intelligent temperature control technology to make the working status of the product and the temperature inside the cabinet clear at a glance

Designed with high-quality stainless steel material, durable and easy to clean.

The appearance is beautiful and generous; the box body and door body are made of high-pressure polyurethane foaming, which has good thermal insulation effect.

It adopts built-in evaporator and fin condenser with advanced technology and fast cooling speed.

Detachable door seal makes cleaning more convenient.

Commercial kitchen freezer products refer to executive standards: / T7244, SB10424.

Commercial kitchen display cabinet products refer to executive standards: GB/T21001.2, GB/T21001.3, SB10424.

Non-commercial kitchen freezer products refer to executive standards: GB4343.1, GB4706.1, GB4706.13, GB17625.1, GB/T8059.1

Technical specifications

Freezer technical parameters

Product number	custom made	Rated voltage	240V~
climate type	N	Rated frequency	60HZ
Effective volume	400L	rated power	355W
weight	102kg	Rated current	1.92A
foaming material	cyclopentane	Protection against electric shock	I
Refrigerant/ injection amount	R290/80g	Dimensions (mm)	1800%800+800

The maximum load-bearing capacity of the product storage rack is: 70kg/m

Introduction to tea making machine components and control panel

Refrigeration cabinet parts

Boot operation

Insert the power plug into the socket, turn on the power switch on the digital display controller, and the unit enters the start-up state.

In order to protect the compressor, a 2-minute delay protection is required before it can enter refrigeration operation. At this time, the refrigeration indicator light flashes.

After 2 minutes, when the temperature inside the cabinet is greater than the set rated temperature, the unit starts and enters refrigeration operation. At this time, the digital display controller refrigeration means that when the temperature inside the cabinet is less than the set rated temperature, the unit stops and the digital display control The cooling indicator light of the unit goes out, so the unit starts and stops between the set rated temperature and temperature difference, and works in a repeated cycle.

Shutdown operation:

Press and hold the control button of the digital display thermostat for six seconds to turn off the cooling mode and stop all control outputs.

Display function

The digital display box on the controller displays the real-time temperature inside the cabinet

When the unit is running, the refrigeration indicator light is on. When the temperature inside the cabinet reaches the control temperature, the unit stops and the refrigeration indicator light goes out.

When the storage temperature probe is short-circuited or the high temperature exceeds the limit (greater than 45°C), “SIH” is displayed; when the storage temperature probe is open-circuited or the low temperature exceeds the limit (less than -45°C), “SIL” is displayed. At this time, the timing work is entered. mode, the unit runs for 45 minutes and stops for 15 minutes

control panel parts

After the all-in-one machine is powered on and connected to the Internet, click on the “Automatic Tea Shaking Machine:” APP, enter the “Account/ Password” to log in, or you can log in with the “Verification Code” on your mobile phone

Select your own store and click to enter.

Click “Authorize New Device”

**Select the equipment model corresponding to your machine:
A20-1.25m, A25-1.5m**

Hardware version directly select: H03

Customer number: Select your corresponding Naixue or table cover

Finally, click “Authorize” and wait for the staff’s authorization

Precautions and troubleshooting during use

Precautions

1. The operating voltage range is: 187V-242V, frequency 50Hz~60Hz. If the voltage exceeds the specified range, please use an AC automatic voltage stabilizer above 1KW.
2. The power supply of the refrigerator must be installed with an independent three-hole special socket and connected to the ground wire firmly and reliably.
3. Pharmaceutical products, flammable, explosive, corrosive and volatile chemicals cannot be stored in the cabinet.

[Manualsum](#)

4. Do not put glass bottles or canned drinks in the freezer to avoid freezing and cracking
5. According to the requirements of the shopping mall, communicate with the property management in advance about equipment installation matters
6. Check in advance whether the installation location has reserved secondary water pipes
7. Check network cables and network availability in advance (must be completed before the equipment arrives at the store)
8. After connecting the crystal head of the network cable to the laptop in the store, open the browser and use the search function to test whether the network is available
9. When using it for the first time or when using it again after being stopped, please run the cabinet empty for 2 hours before adding food.
10. Be careful when accessing items and do not throw items into the cabinet to avoid damaging the cabinet.
11. In order to obtain good cooling performance, please cool hot items to room temperature before placing them in the freezer. A certain amount of space should be reserved between the items in the cabinet and between the items and the cabinet body, and the air outlets should not be blocked to facilitate the circulation of cold air and make the temperature uniform.
12. To save electricity, please minimize the number of times you open the door and shorten the time it takes to open the door.
13. If the power is interrupted, please wait 5 minutes before turning on the power, otherwise the compressor may be damaged due to overload.
14. When using a dual-temperature cabinet, please put items into different temperature chambers.
15. If you need to stop using it for a long time or for cleaning, please unplug the power plug first; When using it again, you must confirm that the circuit is intact before use.

troubleshooting

1. If the displayed temperature rises to 20°C or above, please unplug the power, stop using the appliance, and notify the manufacturer for an inspection.
2. If the temperature does not drop or the cooling effect is poor, it is recommended to check and clean the dust filter.
3. When the monitor displays three horizontal bars, the monitor has been powered off manually.
4. The display shows 'LL', 'HH', or other letters indicating a probe failure.
5. If there is any obvious abnormal noise or burning smell inside or outside the freezer, it is recommended to disconnect the power supply and shut down the machine for inspection or notify after-sales service.
6. A small amount of condensation on the door cabinet of the high-temperature refrigerated cabinet without a heating wire is normal.

special attention items:

If one of the following situations occurs, the product will not be covered by the warranty

1. When the ambient temperature of on-site is greater than 35C;
2. The wires were damaged by rats or humans
3. Artificially adjusting monitor parameters
4. Failure to clean the dust filter regularly results in no cooling or damage to the compressor
5. The copper pipes are broken or the circuits are damaged due to artificial placement of objects on the top of the cabinet

Maintenance and cleaning

The unit condenser filter should be cleaned

First disconnect the power supply of the refrigerator

Take out the filter from the condenser and remove dust and oil

The inside and outside of the freezer should be cleaned frequently and kept clean to avoid generating odor and affecting performance and appearance

First disconnect the power supply of the refrigerator

Wipe the outside of the cabinet with a soft cloth dipped in neutral detergent (such as detergent, etc.) then wipe off the detergent with clean water, and finally dry the cabinet with a dry rag.

Note: Do not use tools such as wire brushes or metal shovels to avoid damaging stainless steel or other metal surfaces and their spray coatings.

After cleaning, plug in the power and check the safety of all parts before turning on the power for cooling.

Warning

It is strictly forbidden to directly rinse the outer surface of the box and electrical junction box with water to avoid leakage and burning of electrical components.

Do not use scouring powder, acids, alkalis, or corrosive cleaners

The power cord of this product is a Ya connection. If the power cord is damaged, in order to avoid danger, it must be replaced by professionals from the manufacturer, its maintenance department or similar departments.

[Manualsum](#)

There are no obstacles around the appliance or in the built-in structure to maintain smooth ventilation.

Do not use mechanical equipment or other means to accelerate the defrost process except as recommended by the manufacturer

Do not damage the refrigeration circuit.

Appliances may not be used in the pantry of the appliance except for the type recommended for use by the manufacturer.

The insulation layer of this product uses a foam layer. The product should be isolated from flammable and explosive items. Inflammable and explosive items cannot be stored in the product. The product should be stored in a well-ventilated area and should not be placed in direct sunlight or near heat sources and various heating appliances. It is prohibited to spray paint, coating, and other flammable substances near the product to avoid causing a fire. Fire prevention should be a priority during maintenance. Used products should be recycled by professional companies and should not be discarded or burned arbitrarily.

This product has a fire protection label: The foaming agent used in the foaming layer of the box contains the flammable component “cyclopentane (C₅H₁₀)”. Therefore, you should exercise caution in areas prone to fire.

Warning: Changes or modifications to this unit not expressly approved by the party responsible for compliance could void the user’s authority to operate the equipment.

NOTE: This device complies with part 15 of the FCC Rules. Operation is subject to the following two conditions: (1) This device may not cause harmful interference, and (2) this device must accept any interference received, including interference that may cause undesired operation.