

Shenzhen Putuo Technology, 2BGX5-10000 Magnetic Wireless Powerbank User Manual

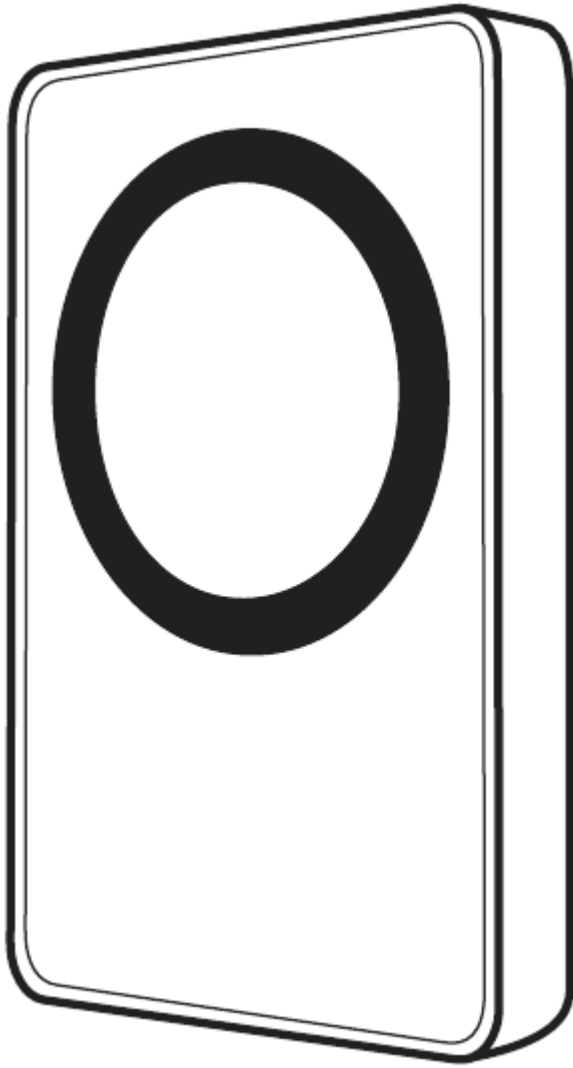
Manualsum, simplified manuals

Table of Contents

- [Putuo 10000 mAh Magnetic Wireless Power Bank](#)
 - [Product Schematic](#)
 - [Product Specification](#)
 - [Power Display](#)
 - [Product Charging Schematic](#)
 - [How to Use](#)
 - [Start up and Shutdown](#)
 - [Charging](#)
 - [Cautions](#)

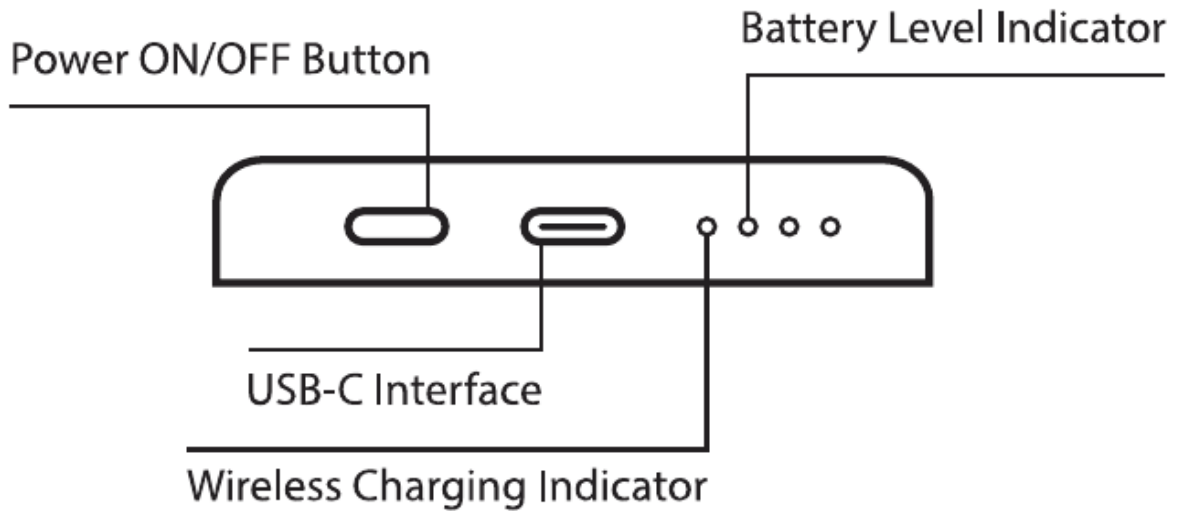
Putuo 10000 mAh Magnetic Wireless Power Bank

USER MANUAL



Product Schematic

Models : 2BGX5-10000,2BGX5-5000



Product Specification

Parameter	Details
Model No.	CDB01-10, YDDY01-10
Battery Capacity	10000mAh / 38.5Wh
Rated Capacity	6000mAh
USB-C Input	5V/3A, 9V/2A
USB-C Output	5V/3A, 9V/2.22A, 12V/1.67A
Wireless Charging	5W, 7.5W, 10W, 15W

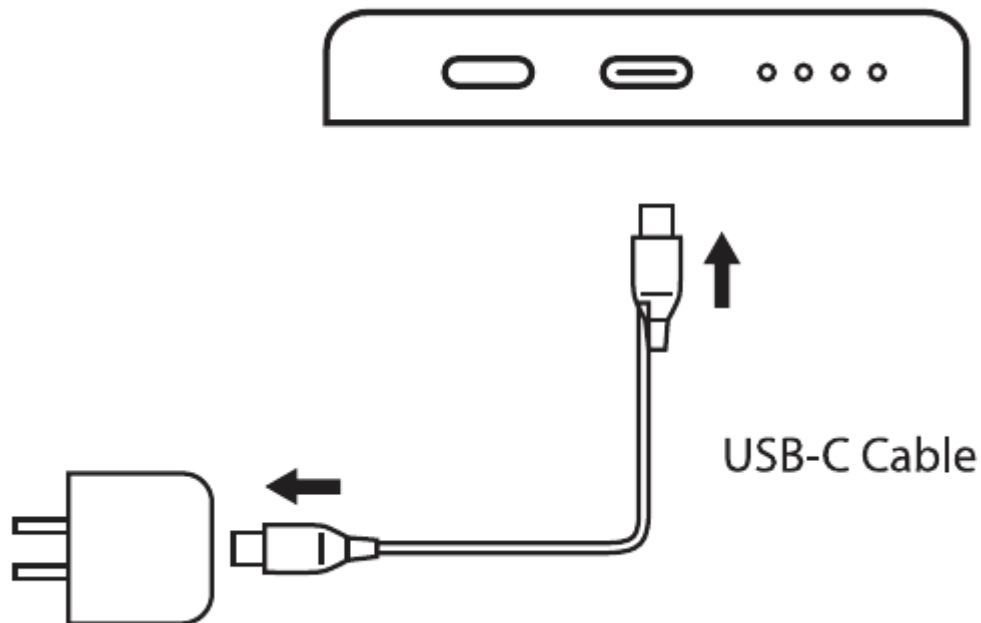
Power Display

Press the on/off button, the LED lights turns on and displays the current power level (as shown below)

LED Lights Display	●●●●	●●●●	●●●●	●●●●
Left in Power	100%	80%	40%	20% The First light Flash

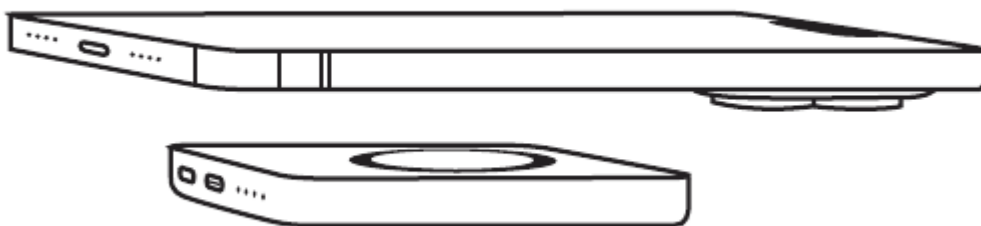
TIPS: Please charge the power bank promptly when the first power light flashed.

Product Charging Schematic



How to Use

Place the charge flat and attach the phone to it.



Start up and Shutdown

Press the on/off button, the LED light shows the current power and the power bank enters the power-on state.

You can charge other devices or directly connect devices with the cable.

The LED light shows the current remaining power.

Power bank will turn off automatically If it is not charging to other devices after 30 seconds.

The LED will turn off and the product will enter the micro-power standby state.

Charging

1. **Magnetic Wireless Charging** For Iphone 14/Iphone 14 mini/Iphone 14 pro(max)/Iphone 13/Iphone 13 mini/Iphone 13 pro(max)/ Iphone 12/ Iphone 12 mini/Iphone 12 pro(max)
2. **Wireless Charging** Apple/Samsung/Huawei/one plus/Xiaomi/OPPO/vivo etc.

Cautions

1. For the first time use, please fully charge the power bank
2. When charging this product or using this product to charge other devices, please choose your own charger and data cable are suitable.
3. Make sure someone is present when charging the power bank, when you go out or leave for a long time, please unplug the power.
4. When the power bank is fully charged. Or when your device is fully charged by the power bank, please unplug the connection cable in time.
5. If the power bank does not have power indication after pressing the on/off button, it may be in a protected state, you can connect it to an external charger to try it.
6. When the power bank is not used for a long time, please keep the power of it at least on 25%. Store it in a cool and dry environment and avoid storing it in a full or no power state for a long time to extend the battery life.