

# [Anti Gravity Sound Humidifier User Manual](#)

## [Manualsum](#), simplified manuals

Table of Contents

- [Anti Gravity Sound Humidifier User Manual](#)
  - [Important points to Note](#)
  - [Product schematic diagra](#)
  - [Product operation instructions](#)
  - [Content list](#)
  - [Common Failures and Troubleshooting](#)

# Anti Gravity Sound Humidifier User Manual

Anti Gravity Sound Humidifier User Manual

([2BG2W-T00K8](#))

**Before use: please use purified water**

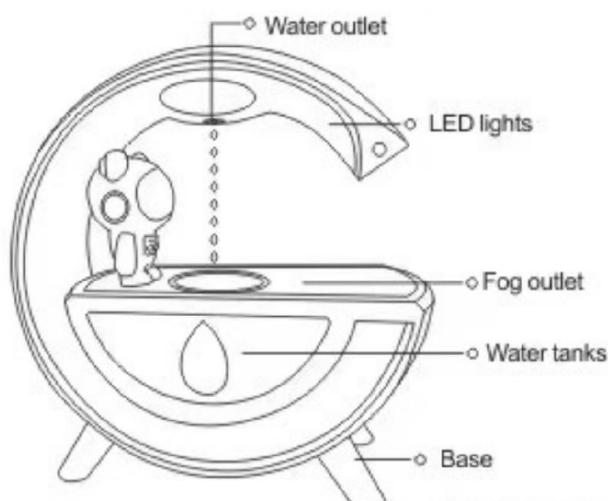
## **Important points to Note**

In order to ensure the quality of the product, before leaving the factory will be solid water test, after receiving the product has a small amount of water droplets residue, is a normal phenomenon.

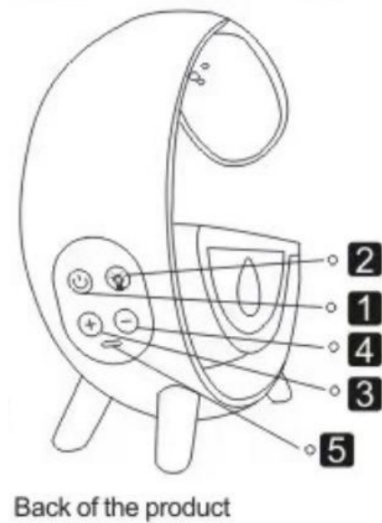
The shape and spacing of each water droplet in the product are different, and it is normal that the water droplet produced by each product is different.

As the gas in the water pipe is not exhausted, it is normal for the water droplet to have a delay (water droplet does not form) when starting the machine, and the delay is about 30s 60s. Let and right. the water will form naturally, please be patient.

# Product schematic diagram



Front of the product

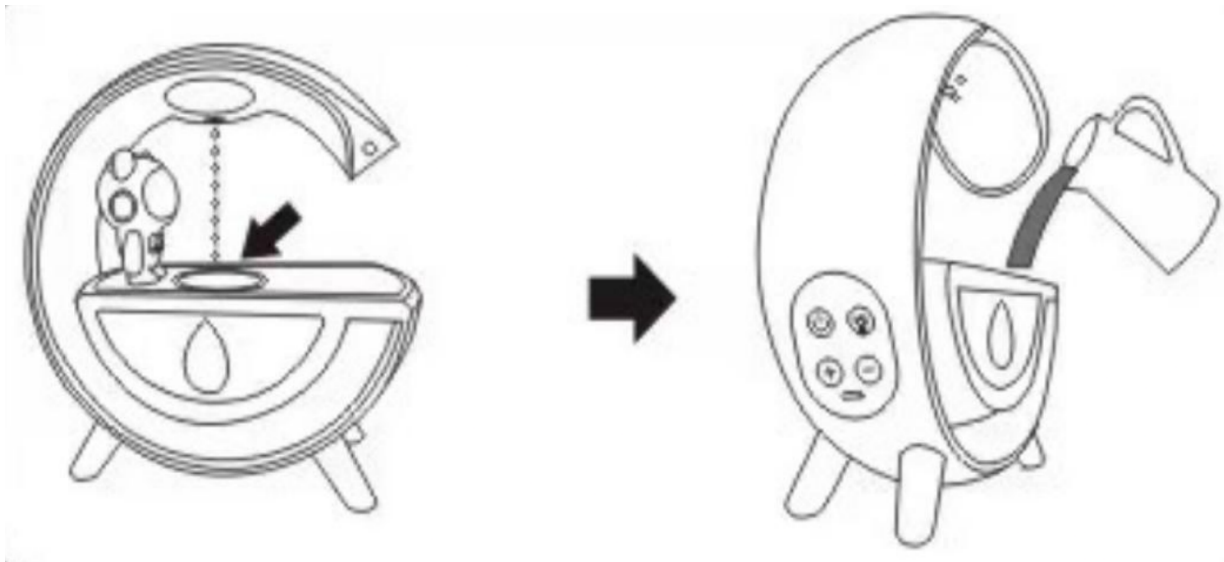


1. Press the power button to turn on and then turn off;
2. Press the light button to change the color of the colored lights;
3. Press the “+” button to move on to the next song, and long press to increase the sound;
4. Press and hold the “\_” button to go back to the previous song, then press and hold to decrease the volume.
5. Charging port;
6. Can connect to Bluetooth to play music (Bluetooth name: TOOKS)

<b>Name:</b>	Anti Gravity Sound Humidifier
<b>Water Tank Capacity:</b>	350 ml
<b>Running Time:</b>	8 hours
<b>Rated Power:</b>	5 W
<b>Rated Voltage:</b>	5 V
<b>Power Supply:</b>	5 V = 2 A
<b>Bluetooth Function:</b>	TOOK8
<b>Model:</b>	TOOK8
<b>Size:</b>	235 x 238 x 80 mm
<b>Color:</b>	White
<b>Weight:</b>	650 g
<b>Material:</b>	ABS + Silica Gel
<b>Fog Quantity:</b>	60-80 ml/h

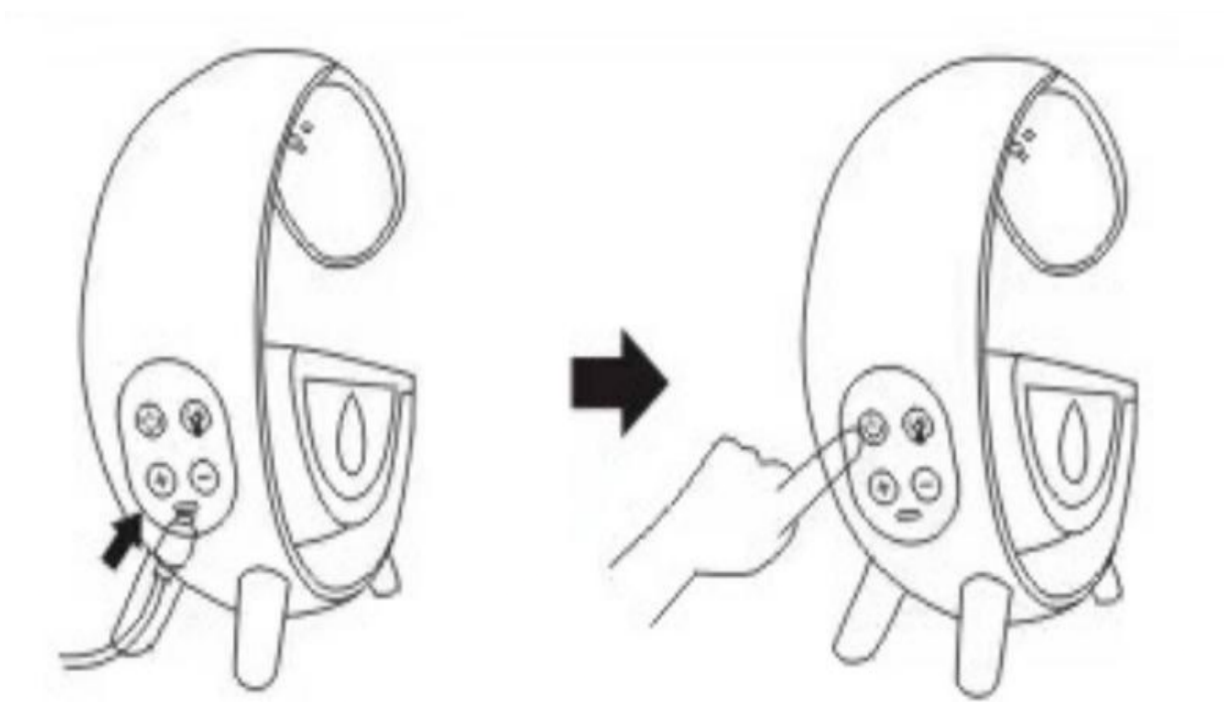
## Product operation instructions

1. Unscrew the top cover.
2. Fill the tank with pure water.



**Note: Please add 40°C The following clean tap water or purified water.**

3. Power on the adapter.
4. Touch the button and fog begins.



**Note: Please ensure that there is enough water in the tank before use. Do not add alcohol perfume**

## Content list

Anti-gravity humidifier\*1 Charge Cable\*1 Instruction Manual\*1

# Common Failures and Troubleshooting

<b>Malfunction</b>	<b>Reason</b>	<b>Solution</b>
<b>Can not start</b>	Wrong Power Adapter	Use a 5V-2A power adapter before turning it on again
<b>Can not generate Mistorsubstantaly little mist</b>	There may be dirt in the atomizer piece that is clogging the hole at the bottom of the atomization piece.	Use a cotton swab dipped in white vinegar to gently wipe the atomization piece to clean the dirt, and replace a new ultrasonic atomization piece
	Not sufficient water in the water tank	Fill water into the tank until it reaches the water line
<b>Can not from Water drops</b>	Delayed start-up, empty pump	Restart again
	Wrong power adapter	Use a 5V-2A power adapter before turning it on again
<b>LED does not light up</b>	Motherboard burned out	Contact after-sales service
	Cable not connected properly	Reconnect the cable or change the power adapter
<b>Button can not be pressed</b>	The button is jammed	Contact after-sales service
<b>Button Malfunction</b>	Motherboard burned out	Contact after-sales service