

# **LISEN Wireless Charger User Manual**

## **Manualsum, simplified manuals**

### Table of Contents

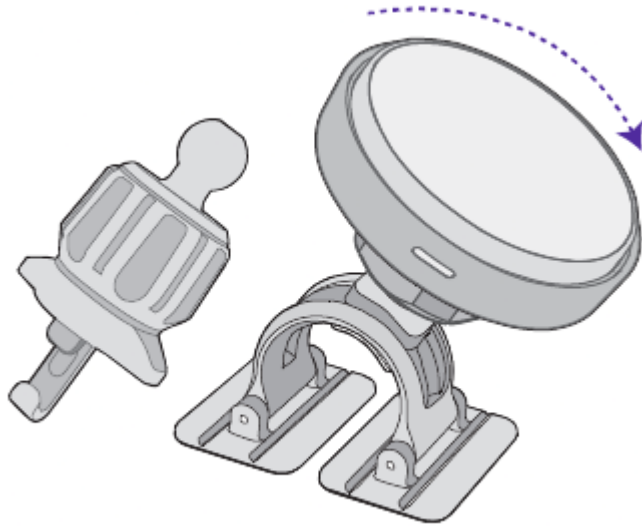
- [LISEN Wireless Charger User Manual](#)
  - [ACCESSORY LIST](#)
  - [PRODUCT PARAMETER](#)
  - [INSTALL HURRICANE OUTLET CHUCK](#)
    - [INSTALLATION STEPS](#)
  - [INSTALL ADHESIVE BASE](#)
    - [INSTALLATION STEPS](#)
  - [REGARDING CHARGING](#)
  - [WRONG APPROACH](#)
  - [Operation is subject to the following two conditions:](#)
  - [Experience innovation for work,play,and travel.](#)

# **LISEN Wireless Charger User Manual**

LISEN Wireless Charger User Manual

Shenzhen Xiangdangwen Technology WIRELESS CHARGER User Manual

[2AW73-2E7124](#)



**LISEN**

SUPPORT@LISEN.COM



## ACCESSORY LIST



①

Wireless charger body



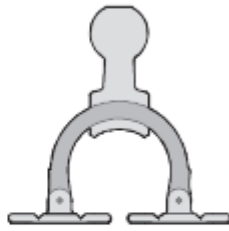
②

c to c cable



3

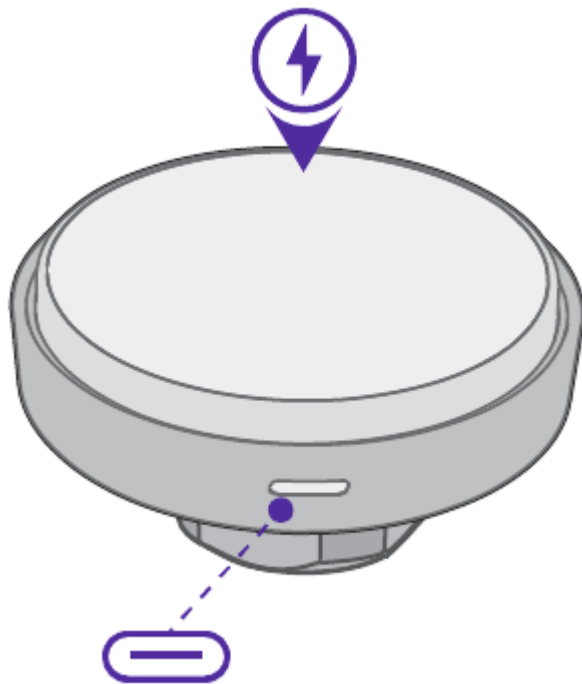
Hurricane outlet chuck



4

Adhesive base

## PRODUCT PARAMETER

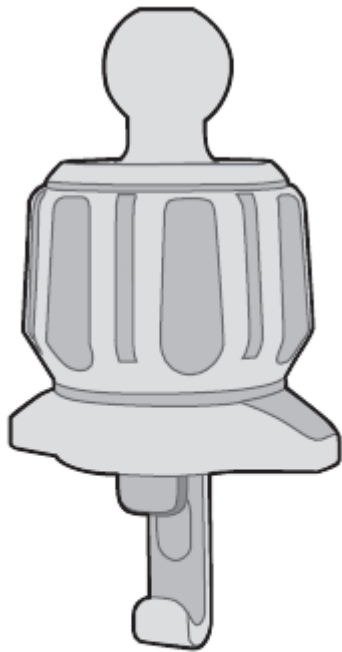


 INPUT

5V=3A 9V=3A 12V=3A

 OUTPUT

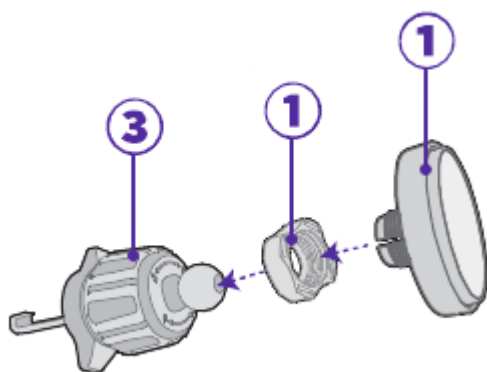
SW / 75W / Tow / 15W

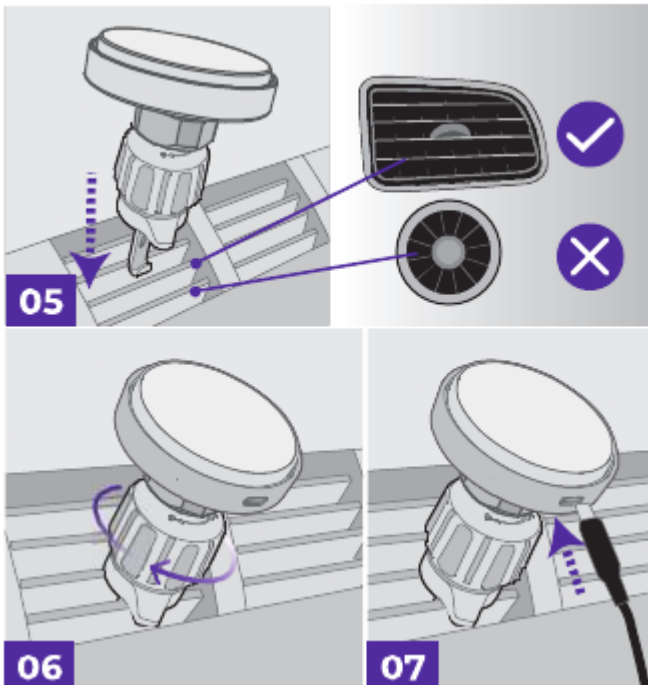
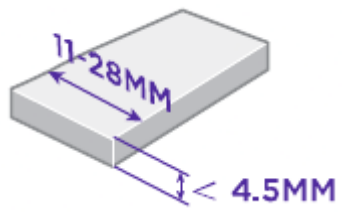
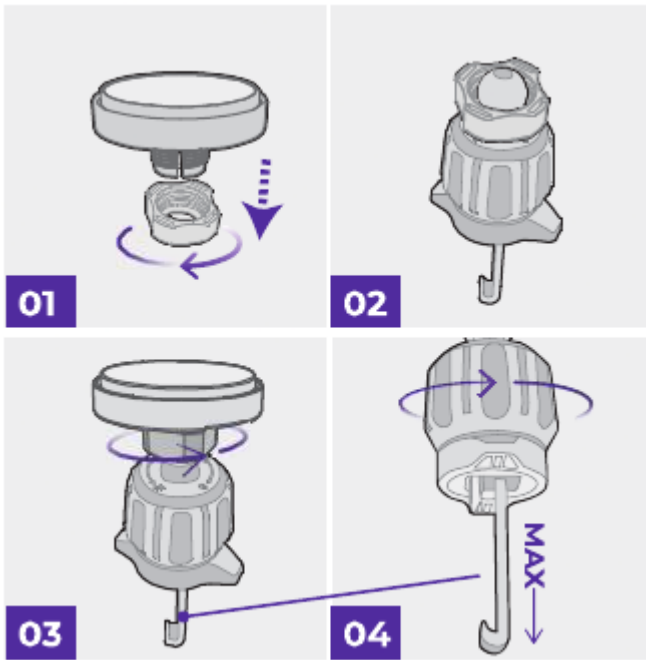


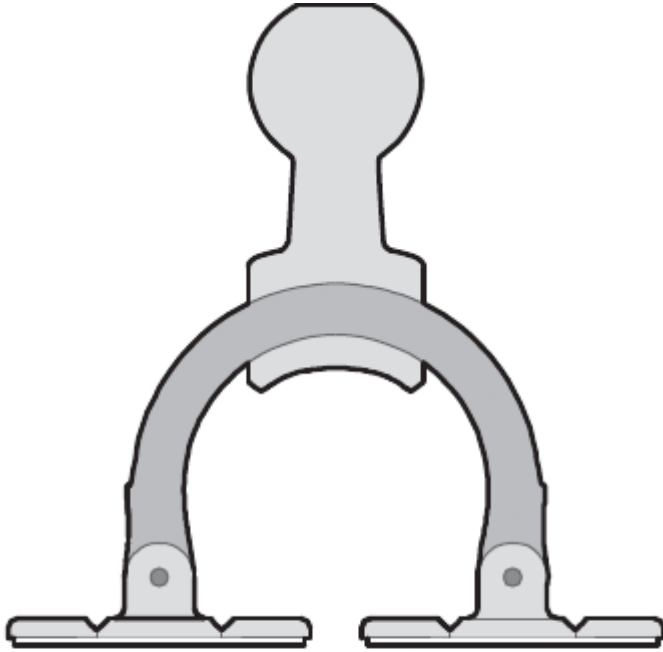
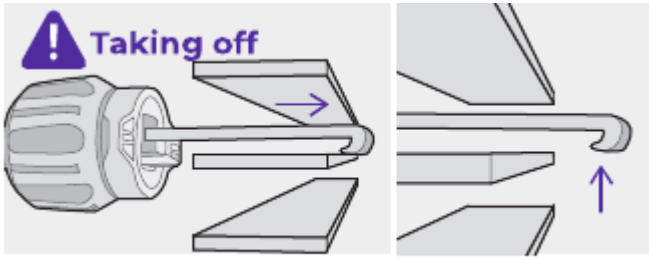
## INSTALL HURRICANE OUTLET CHUCK

Choose Your Mounting Option

### INSTALLATION STEPS



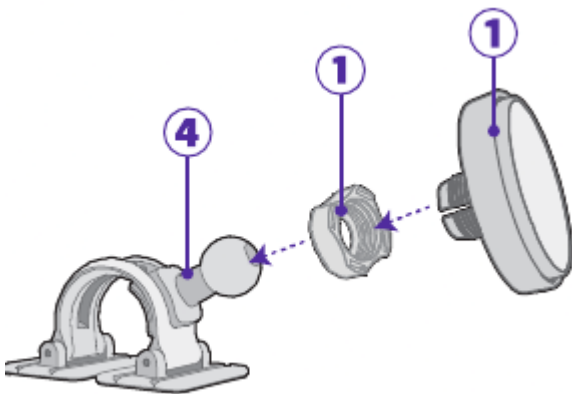
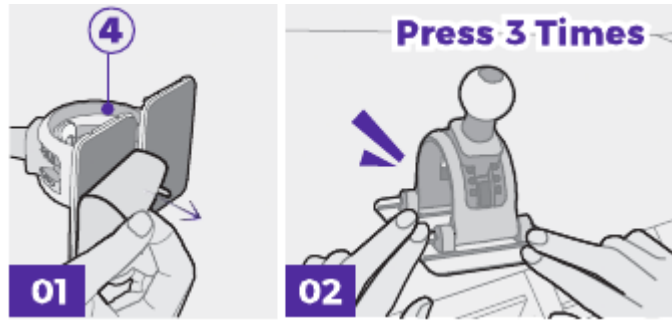
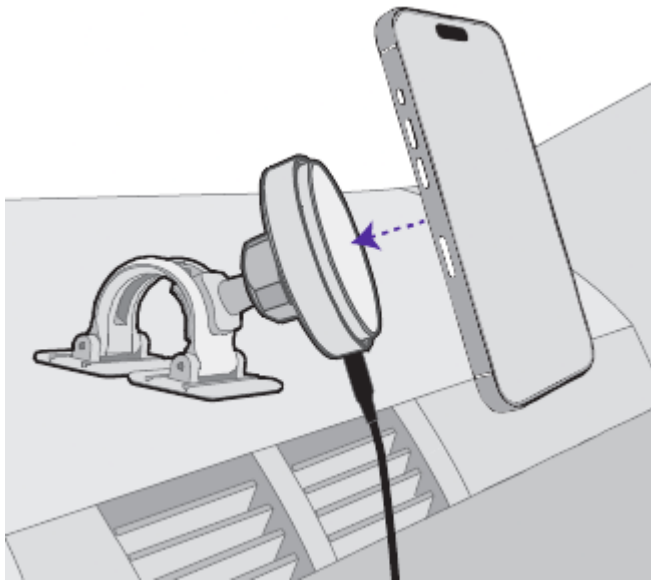


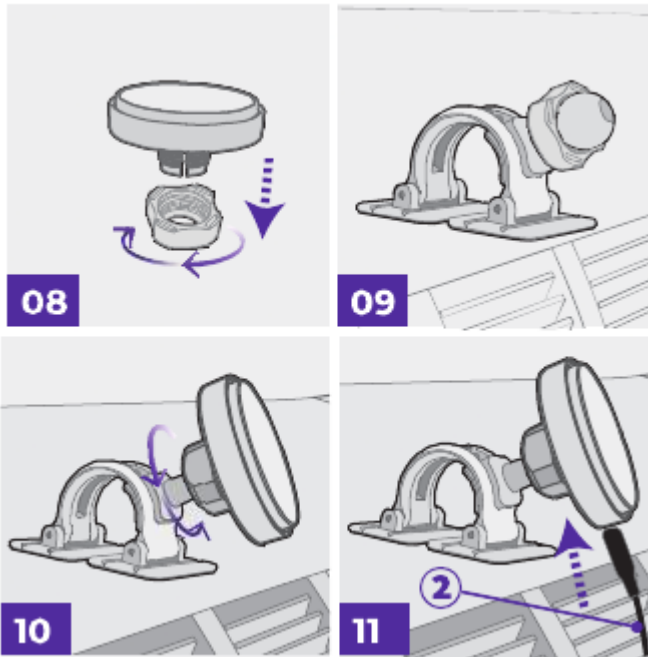


## **INSTALL ADHESIVE BASE**

Choose Your Mounting Option

# INSTALLATION STEPS





## REGARDING CHARGING

### FOR MAGSAFE CASE

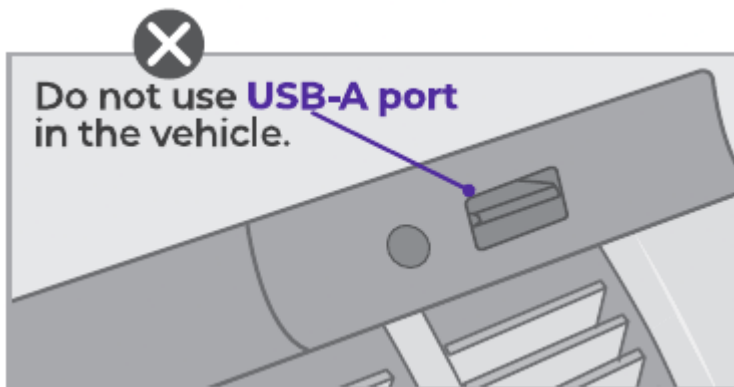
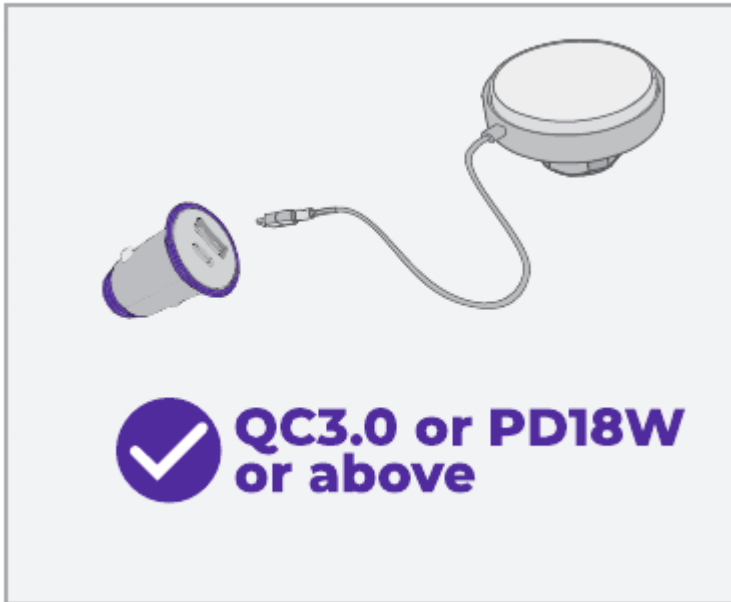


NOT NEEDED



COMPATIBLE WITH MAGSAFE iPhone

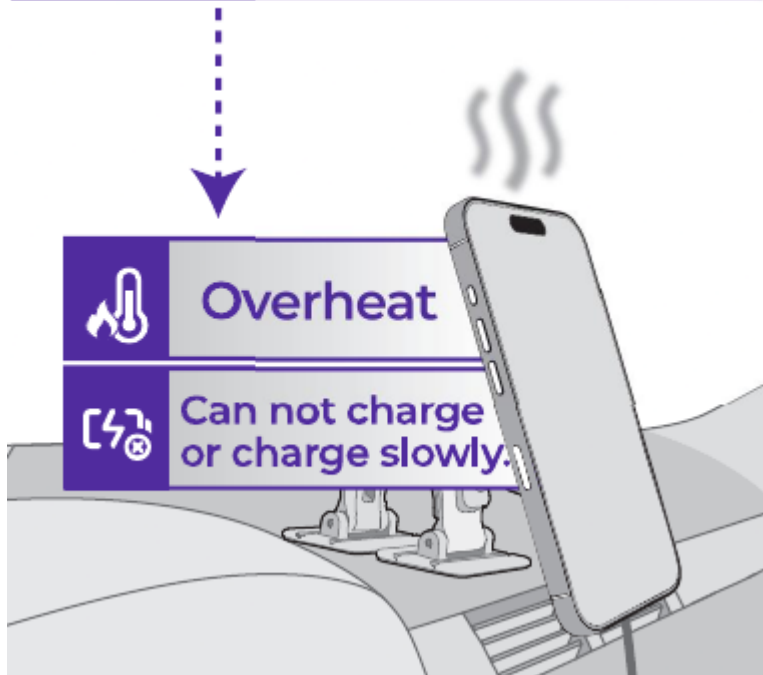
iPhone 12/13/14/15.....



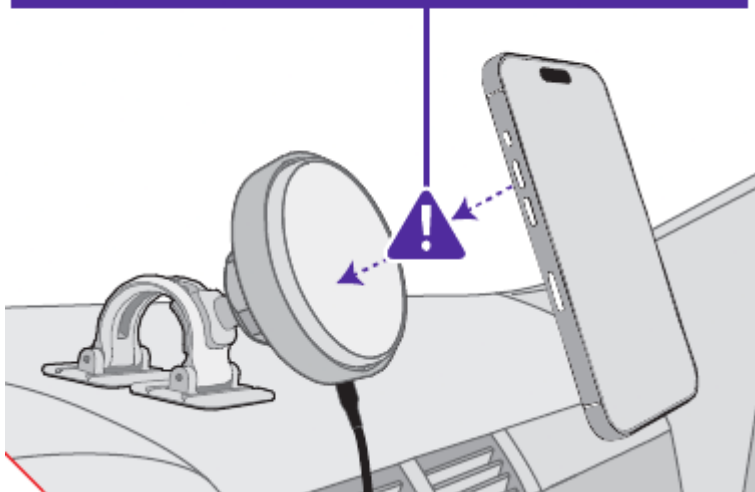
## WRONG APPROACH



will result in the following problems.



Unable to charge Or Slow charging



1. Please cooperate with car chargers that support versions of QC3.0 or PDI8BW or higher.
2. Please use it with phones such as Magsafe phone case or iPhone 12 or above.
3. If there is an iron sheet, finger ring buckle, or credit card on the back of the phone or phone case, it will trigger foreign object detection and interrupt charging.
4. Please maintain a suitable temperature inside the car. Excessive temperature inside the car may cause serious overheating or slow charging of the wireless charging system.
5. In the charging process, slight heating is a normal case. If you encounter severe heating, please contact our customer service email.

## **Operation is subject to the following two conditions:**

(1) This device may not cause harmful interference.

(2) this device must accept any interference received, including interference that may cause undesired operation. Any Changes or modifications not expressly approved by the party responsible for compliance could void the user's authority to operate the equipment

This equipment has been tested and found to comply with the limits for a Class 8 digital device, pursuant to part 15 of the FCC Rules

These limits are designed to provide reasonable protection against harmful interference in a residential installation.



## **Experience innovation for work,play,and travel.**

Since 2013 LISEN designs tech accessories

We specialize in the conception, manufacturing and distribution of 3C and mobile phone accessories products tailored.

For More Support

SUPPORT@LISEN.COM

LISEN Wireless Charger User Manual

MANUALSUM