

Shenzhen Xiqi Technology Mini Printer User Manual

Manualsum, simplified manuals

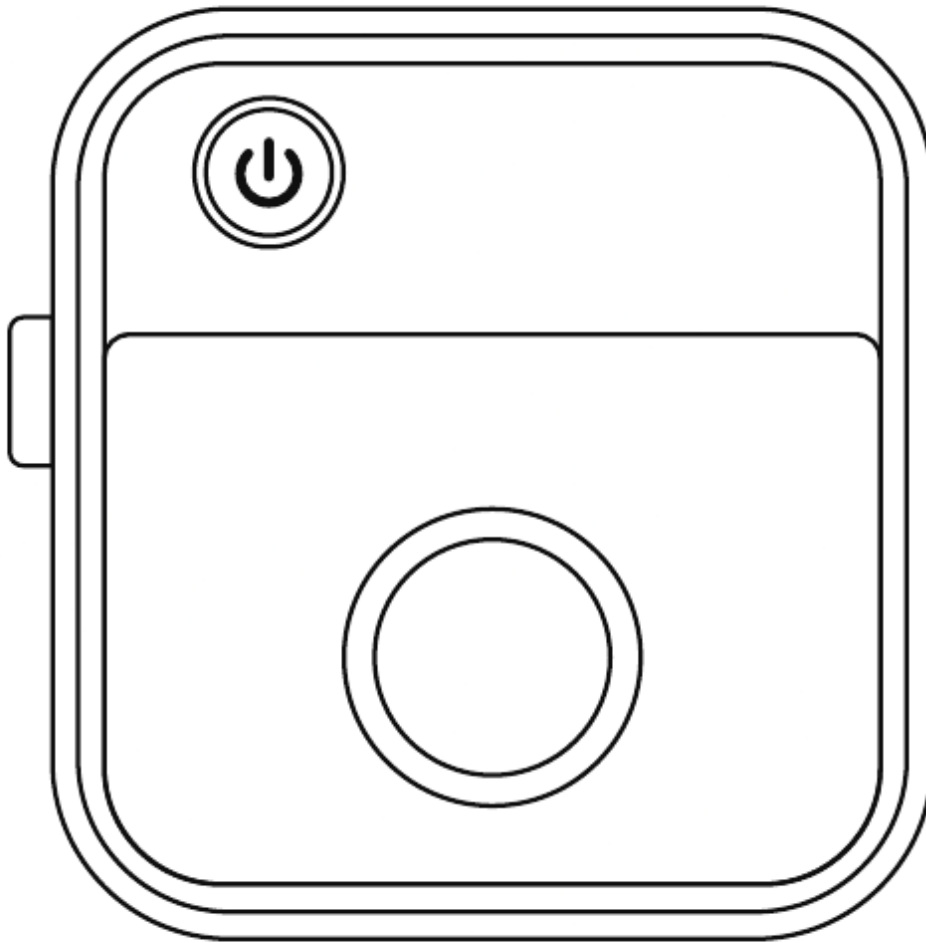
Table of Contents

- [Shenzhen Xiqi Technology Mini Printer User Manual](#)
 - [Product Appearance](#)
 - [Indicator Light Description](#)
 - [Warm Tips:](#)
 - [Usage Guidelines](#)
 - [Download the “DOLEWA” APP](#)
 - [Usage Steps](#)
 - [Tips:](#)
 - [How to Replace The Printing Paper](#)
 - [Tutorial for replacing small size printing paper:](#)
 - [Warning](#)
 - [Precaution](#)
 - [Question & Answer](#)

Shenzhen Xiqi Technology Mini Printer User Manual

Shenzhen Xiqi Technology Mini Printer User Manual

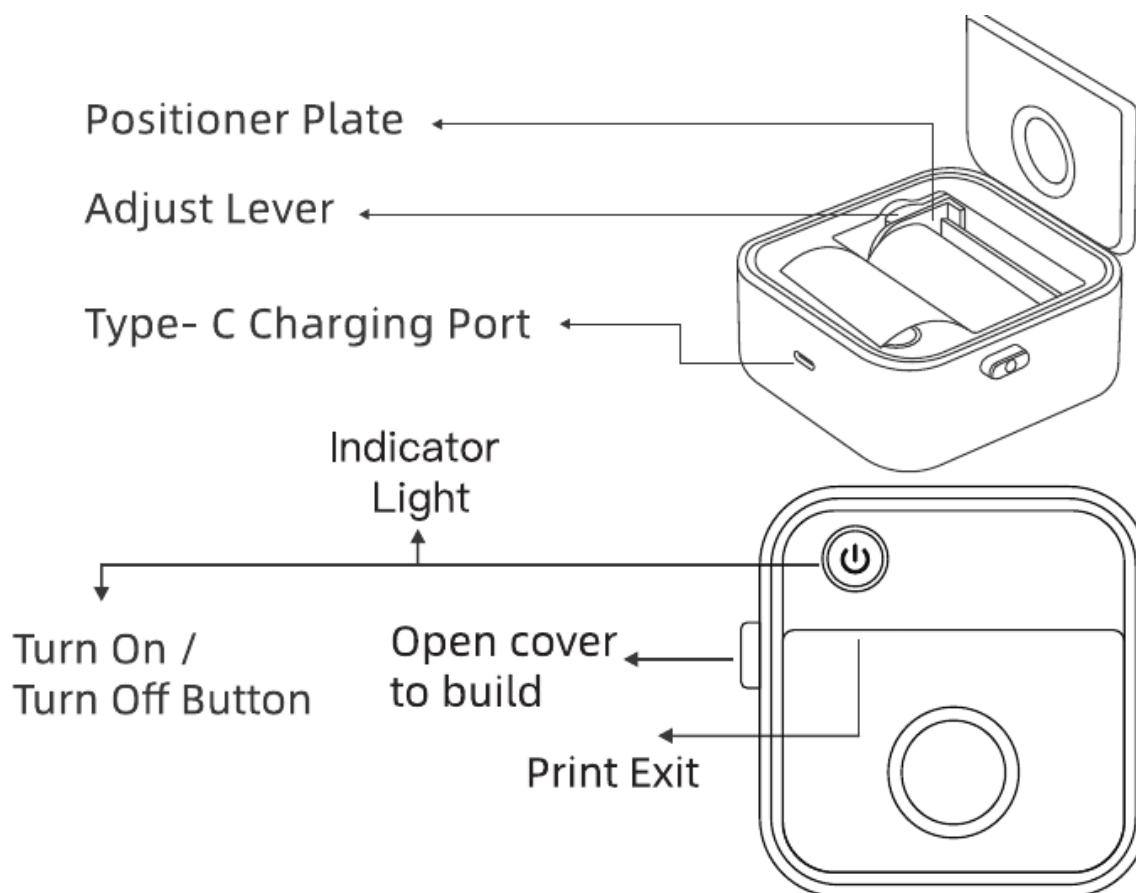
FCC id: [2BDGD-LX-D5](#)



Thank you for choosing our printer!

For a better user experience, we strongly recommend that you read our user manual before using the product!

Product Appearance



Indicator Light Description

1. If you turn on the printer without Bluetooth connection, the button light will constantly changing from dark to bright.
2. If you turn on the printer normally, the light button will steady on green.
3. If the printer is lacking of paper, the green light will flash.
4. If the printer head is overheating, the light button will steady on red, please wait 5 minutes before the next printing.
5. If the battery is too low, the red light will flash, please charge the printer in time.

Warm Tips:

please press the cover opening button firmly and quickly to make the cover pod open normally.

Usage Guidelines

Download the “DOLEWA” APP



- **Method 1**

Open “APP Store”, search “DOLEWA” APP and download it.

- **Method 2**

Open the “Google Play” directly and search “DOLEWA” APP and download it.

- **Method 3**

The “DOLEWA” APP QR code will be printed automatically when you double —click the button after turned on the printer, you also can download it by scan the QR code on the paper.

Usage Steps

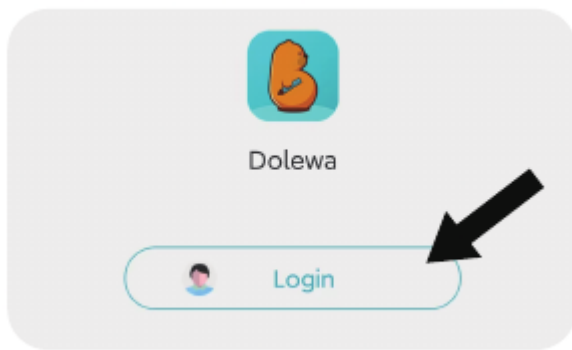
Tips:

Please fully charge the printer for the first time, then unplug the charger before use!The more power you have, the clearer your prints will be!

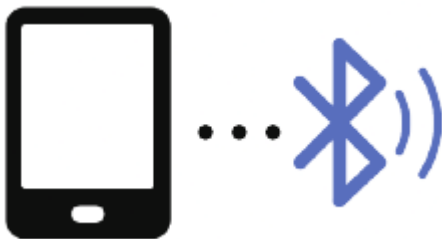
1. Please press the button and hold on for 3 seconds to tun on the printer!



2. Open the “DOLEWA” APP and Log in



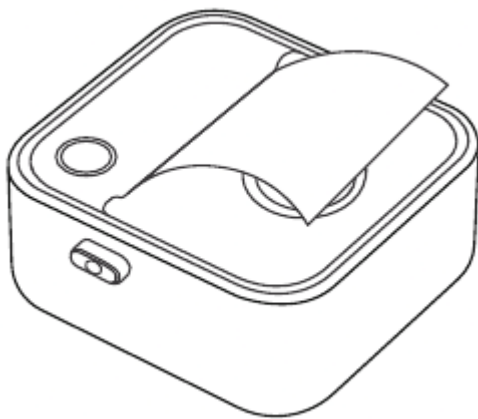
3. Please turn on the Bluetooth of your phone



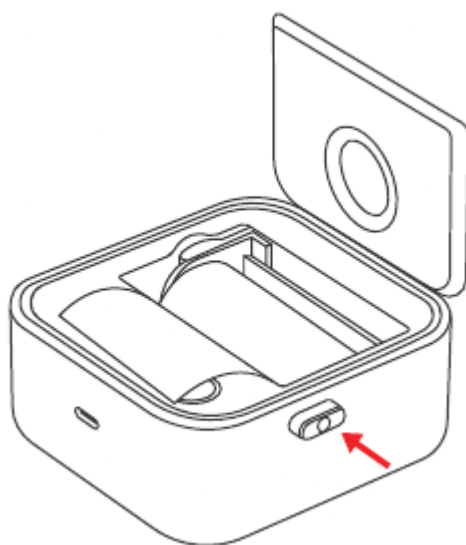
3. Open the “DOLEWA” APP and Click the “+ Add device” in the upper left corner to looking for the printer device and connect it.



4. After successful connection, you can start using this printer

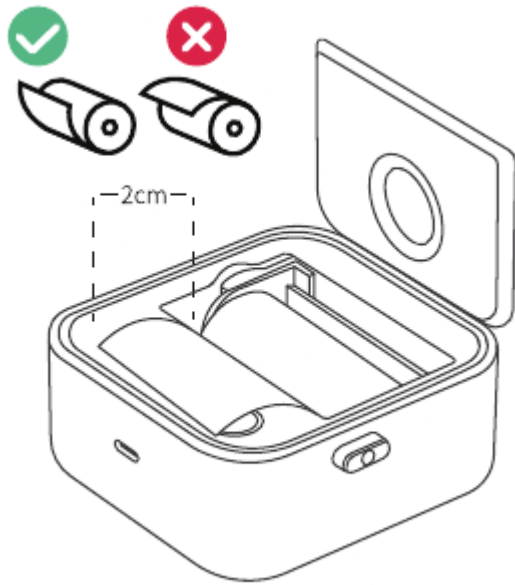


How to Replace The Printing Paper

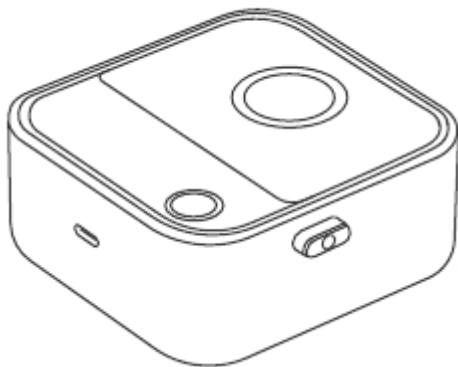


1. Press the side button, open the cover of the print pod, remove the old printer paper.

2. Confirming the direction of paper roll placement(NOTE: The paper should be exposed to the [Manualsum](#))

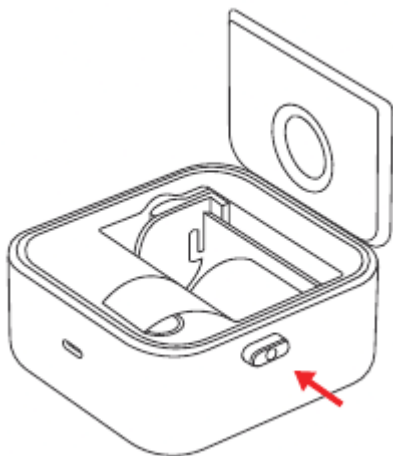


bin 2cm in length, so that the machine can automatically absorb paper when closing the bin box)



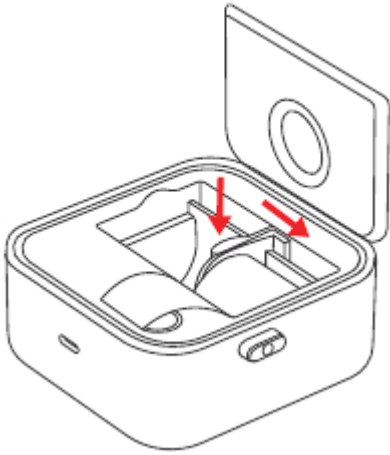
3. Put the printer cover on then the machine can be used normally.

Tutorial for replacing small size printing paper:

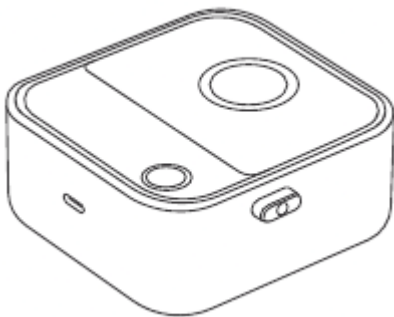
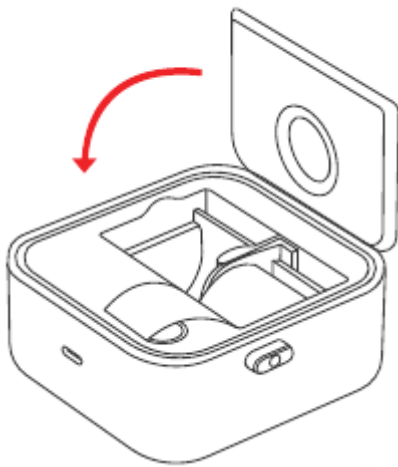


Press the open cover button, remove the old paper roll, insert the small paper roll (less than 57mm) in the direction shown in the diagram, and place it to the far left.

Next, press the adjustment lever on the right, drag it to the left, and release it after the paper roll is caught, which will fix the paper roll. (Note: the new thermal paper



needs to expose 2CM length of the paper compartment so that the machine can automatically suck the paper when the paper compartment box is covered.)



Cover the paper compartment box, double-click the power button to check if the paper strip is printing normally. After the above steps are correct, the machine can be used normally.

Warning

1. Input Parameter: 5V===1A, it is advisable not to use fast charging
2. Prohibited from disassembling, assembling, compressing, or throwing into fire.
3. If the battery is severe inflation, do not continue to use it.
4. Do not place the product in a high-temperature environment.
5. It is strictly prohibited to use it,if the printer is immersed in water
6. Replacing batteries with the wrong type poses a risk of explosion, be sure to dispose of used batteries according to the instructions.

[Manualsum](#)

Precaution

1. Unplug the charging cable promptly after charging is completed.
2. Improper charging may cause damage to the print head.
3. Do not touch the print head to avoid burns due to overheating.
4. Insert or remove the charging cable gently to prevent damage to the port due to excessive force.
5. Continuous printing may cause the print head to overheat and stop working. This is not a machine malfunction, and the printer can be used again after the print head cools down.
6. To avoid danger, do not use or charge in high-temperature, high—humidity, excessive smoke and dust environments, such as in the bathroom, sauna room, near open flames, etc.

Question & Answer

How to deal with Bluetooth connection failure?

1. To re-enable Bluetooth on your phone
2. To restart your mini printer
3. To reinstall the app and agree to all permission prompts
4. Try using another phone.
5. The machine cannot be connected to two phones at the same time, so do not be connected to other phones.
6. If the app cannot connect to the machine, you can double-click the power button to print a test page, which has a QR code. Scan the QR code, follow the prompts to re download the app, and reconnect it again.



Scan the QR code to download the “DOLEWA” APP

If you still have any questions, please feel free to contact us, we will reply you promptly within 24 hours!