

# [K50 Speaker User Manual](#)

## [Manualsum](#), simplified manuals

### Table of Contents

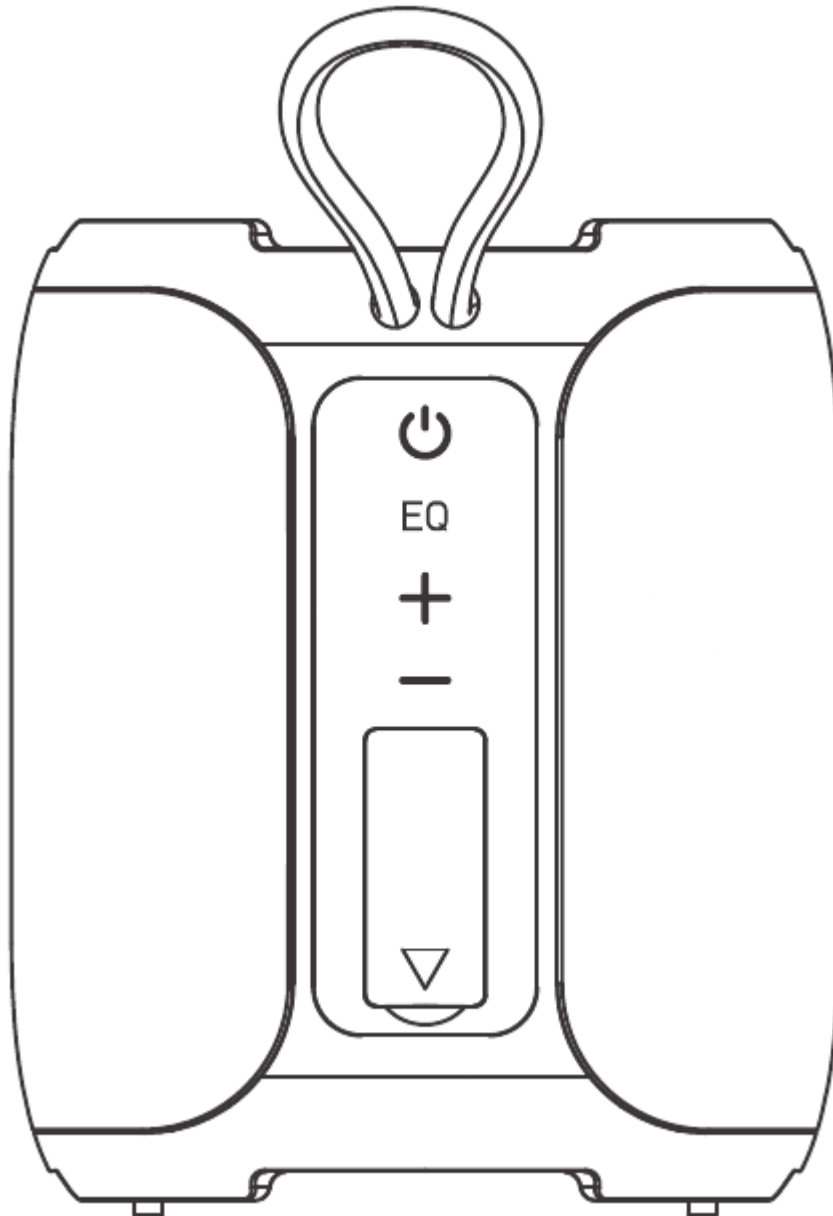
- [K50 Speaker User Manual](#)
  - [Packing list](#)
  - [Product parameter](#)
  - [Interface&Key Description](#)
  - [Function Instructions](#)
    - [Bluetooth connection:](#)
    - [TF card/USB drive/Axin mode:](#)
    - [TWS function:](#)
    - [Precautions:](#)
  - [After-sales service description](#)
  - [PRODUCT WARRANTY CARD](#)

# K50 Speaker User Manual

K50 Speaker User Manual

Shenzen Zhengyun Tech. K50 Wireless Speaker User Manual

([2A5TA-K50](#))



## **Packing list**

Audio host\*1

Specification\*1

Charging cable\*1

## **Product parameter**

**Product Name:** Wireless speaker

**Product model:** K50

**Waterproof grade:** IPX7

[Manualsum](#)

**Transmission distance:**  $\leq 10$  m

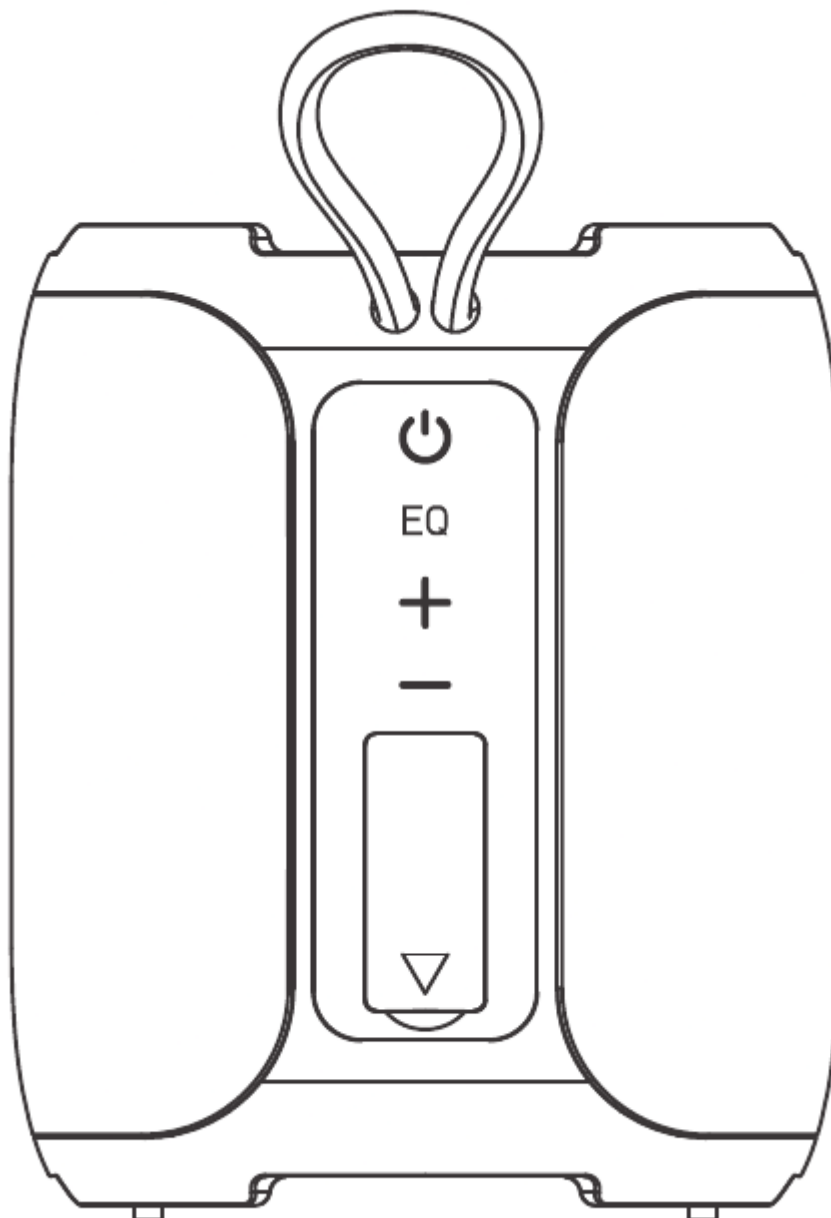
**D C power supply:** maximum 5V =2A

**Battery capacity:** 5000 mAh

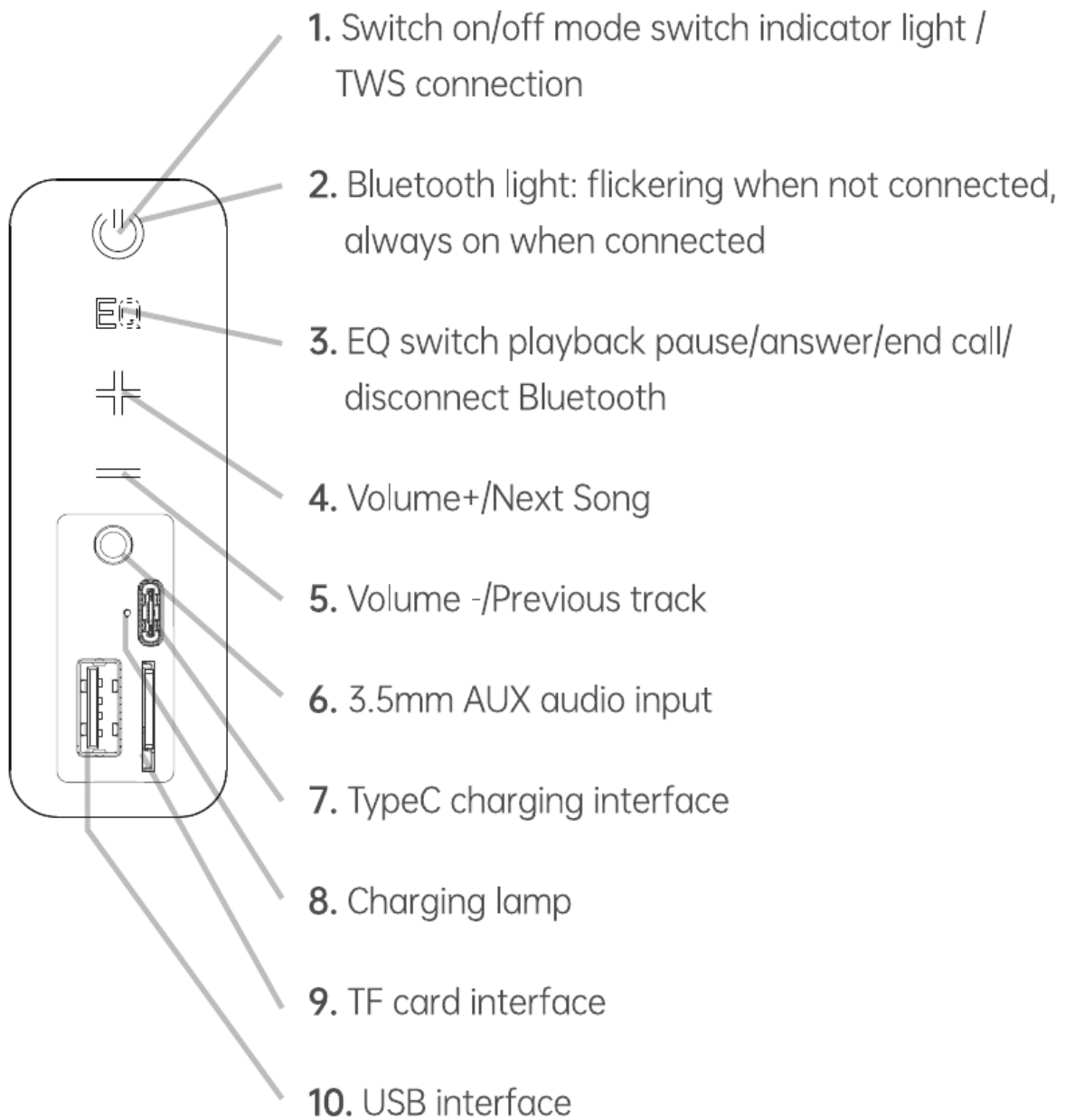
**Charging time:** 4-5 hours


**Product size:** 130 \* 105 \* 105 mm

**Sensitivity:** 87dB  $\pm$  3dB



# Interface&Key Description



Key	Action	Function Description
	Short Press	Mode switch: Bluetooth/AUX/TF/USB playback.
	Long Press	Long press for 3 seconds to turn on/off. to initiate TWS pairing. Once pairing is successful, you can double click to disconnect the TWS connection.
	Double Click	
EQ	Short Press	Pause / Play.
	Double Click	switch EQ mode .

	Long Press	Hold down for 3 seconds to disconnect the Bluetooth connection.
(incoming call)	Short Press	Short press to answer the call and short press to hang up the call during the call
+	Short Press	Volume plus
	Long Press	Next song
—	Short Press	Volume down
	Long Press	Previous song
+ —	Simultaneously	Simultaneously press and hold for 2 seconds to turn on/off the light effect.

## Function Instructions

### Bluetooth connection:

Press and hold the power button for 3 seconds to turn on the phone, and the device will enter Bluetooth mode. The blue light on the power button icon will flash quickly to enter pairing status. The phone will search for the Bluetooth name “Jinyun K50” and click to connect.

### TF card/USB drive/Axin mode:

Insert the TF card into the corresponding card slot, recognize the file and automatically play it (TF card supports up to 32G). Connect any audio device with a 3.5mm jack and connect it to an AUX audio cable for playback.

### TWS function:

1. Turn on both speakers (\* If there is a Bluetooth device connected, the Bluetooth connection must be disconnected first).
2. Double click on the “On/Off” button of one of the speakers to enter TWS pairing, and there will be a prompt tone; Paired successfully
3. At this point, open the Bluetooth device and search for the Bluetooth name “jinyun - k50”. Click to connect. Play music and enjoy wireless stereo sound effects.
4. When TWS is connected, double-click the “On/Off” button to disconnect TWS pairing.

### Precautions:

Before charging, please check the specifications of the charger. Do not use a fast or high voltage charger to charge the machine. For the sake of hearing health, do not use it at maximum volume for a long time. Please do [Manual](#)

near fire sources or high temperature environments to avoid permanent damage to the product; Please strictly follow the instructions and do not modify or disassemble the product without authorization.

Do not drop, impact, strike, squeeze or engage in other behaviors that seriously affect the product structure to avoid damaging the strength and reliability of the product. If abnormal conditions such as high temperature, deformation, and corrosion are encountered during use, please immediately stop using and contact the merchant for proper handling.

## **After-sales service description**

Dear users, thank you very much for using our products. In order to effectively protect your rights and interests, it is clear that the distribution agents and the company should undertake the maintenance, replacement and return of products (hereinafter referred to as “three guarantees”) responsibilities and obligations, please read the matters:

1. The Product Warranty Card is the necessary proof for our company to provide free after-sales service within the warranty period
2. According to the principle of “three guarantees”, if there is a product quality problem, contact the distributor with the “Product warranty card”, and the distributor will provide service to the customer, and our company will provide service support to the distributor;
3. The company promises that if any quality problem occurs within 7 days from the date of sale (subject to the date of valid bill, the same below), the customer can return the product now for replacement or repair; From the date of sale from 8 days to 15 days of quality problems, customers can choose to replace and repair; From the date of sale. Within one year quality problems, customers can free maintenance; The product will enjoy lifelong maintenance if quality problems occur after the warranty period (all after-sales service points only charge for components and materials); Please fill in the “Product Warranty Card” with the dealer carefully.
4. The following circumstances do not enjoy the three-guarantee service:
  - (1)** Exceeding the term of three contracts;
  - (2)** Damage caused by failure to use, maintain and keep the product according to the instructions;
  - (3)** Damage caused by disassembly by the repairman who is not responsible for the three packages;
  - (4)** The content of the Product Warranty Card is inconsistent with the physical identification of the product or altered;
  - (5)** Damage caused by force majeure.

# PRODUCT WARRANTY CARD

Product model : \_\_\_\_\_

Purchase date : \_\_\_\_\_

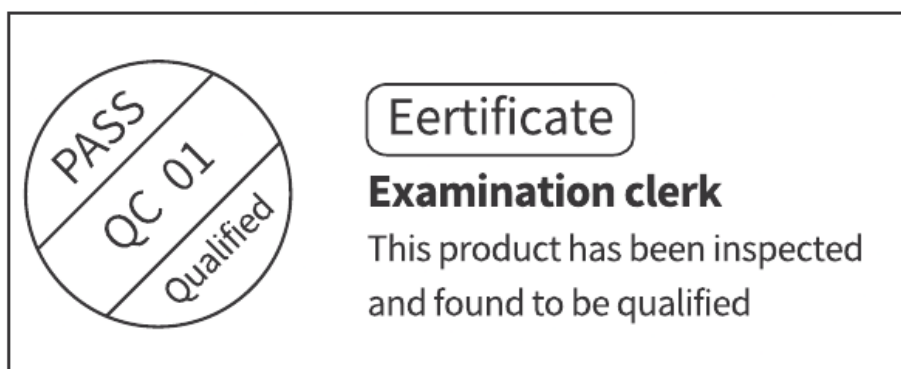
Agent : \_\_\_\_\_

Invoice date : \_\_\_\_\_

Telephone : \_\_\_\_\_

Customer Name : \_\_\_\_\_

Postal Code : \_\_\_\_\_



Attention: The product is equipped with a rechargeable lithium battery. Please do not disassemble or replace it by yourself. Use the correct method to charge the device. Do not place the device near a fire source or expose it to direct sunlight, otherwise the battery heating will damage the safety device and cause the battery to explode or burn.

**Made in China**

[Manualsum](#)

