

[RTI IST-10 Intelligent Surface Touchpanel User Manual](#)

[Manualsum](#), simplified manuals

Table of Contents

- [RTI IST-10 Intelligent Surface Touchpanel User Manual](#)
 - [Key Features](#)
 - [Product Contents](#)
 - [Overview](#)
 - [Mounting Bracket Installation](#)
 - [Mounting Depth](#)
 - [Mounting Height](#)
 - [Mounting Bracket](#)
 - [Landscape/Portrait Mounting](#)
 - [Install the IST-10 Mounting Bracket](#)
 - [Power the IST-10](#)
 - [PoE Connection](#)
 - [12VDC Power Supply](#)
 - [Power Up The IST-10](#)
 - [Install the IST-10](#)
 - [Remove the IST-10](#)
 - [Dimensions](#)
 - [Ethernet Communication](#)
 - [Programming](#)
 - [Touchscreen Display](#)
 - [Updating the Software](#)
 - [Hard Buttons](#)
 - [Safety Suggestions](#)
 - [Cleaning](#)
 - [Service & Support](#)
 - [Limited Warranty](#)
 - [Disclaimer](#)
 - [Contacting RTI](#)

RTI IST-10 Intelligent Surface Touchpanel User Manual

RTI IST-10 Intelligent Surface Touchpanel User Manual

ShenZhen ZhiWei Technology Tablet computer User Manual

[FCC id: 2A8SQ-IST-10](#)

IST-10

PMN: Tablet computer

HVIN: IST-10

10" Intelligent Surfaces Touchpanel



The IST-10 touchpanel elevates system control in all commercial and residential settings. It starts with a hi-resolution 10" capacitive-touch screen with a 1920×1200 resolution with true-black display filter for exceptional clarity. With an ultra-thin bezel and a near-flush mount (just 0.4"/12mm off the wall), the IST-10 makes an elegant statement in landscape or portrait mount, while the optional stand enables tabletop and countertop convenience. Built-in 10/100 Base-T Ethernet with PoE enables seamless two-way system control, video, and remote programming.

Key Features

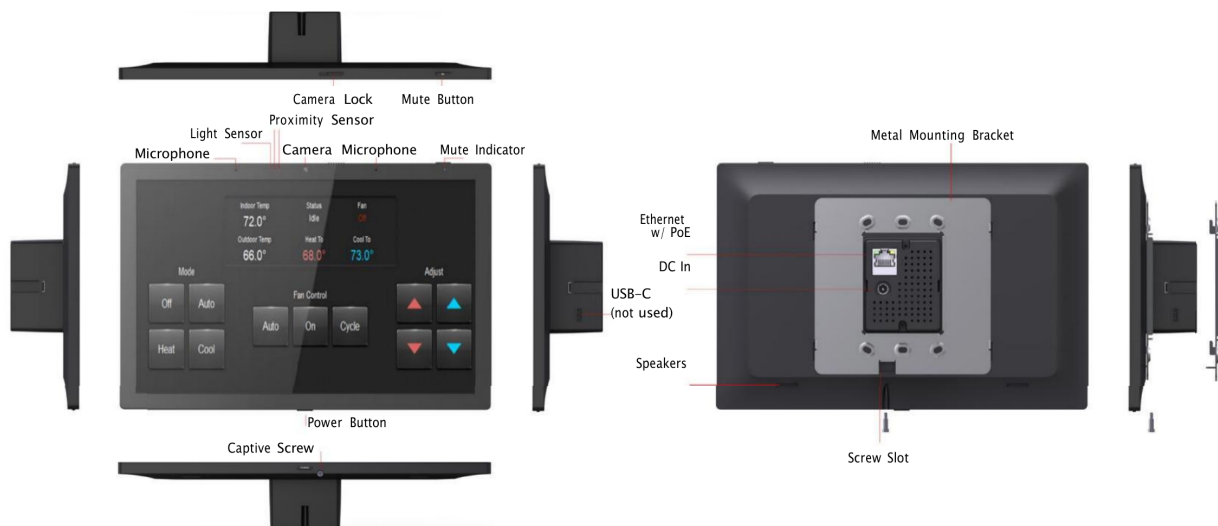
- Hi-resolution 10" capacitive-touch screen (1920×1200) with ultra-thin bezel. [Manualsum](#)

- Near-flush mount (less than 0.4"/11mm off wall).
- Ethernet and Wi-Fi options for control and communication.
- PoE or 12V DC power options.
- Exceptional video streaming and two-way intercom at H.264 or H.265 format.
- Hi-res privacy ensured 2MP camera.
- Dual speakers and far-field microphone array (with mute button).
- Proximity and ambient light sensors.
- Tabletop stand option.
- Portrait or landscape.

Product Contents

- IST-10
- Metal Wall Mounting Bracket (1)
- Mounting Bracket Screws (4)

Overview



Mounting Bracket Installation

The IST-10 is designed to be wall mounted in either Portrait or Landscape orientation, or on tabletop using the stand (available separately).

Mounting Depth

The IST-10 requires a minimum mounting depth of 1.34" (34mm) from the wall surface. Leave space to account for the RJ-45 or 12V barrel connector.

Mounting Height

The recommended mounting height for the IST-10 is 57"- 65" (145 cm -165 cm) from the finished floor to the center of the unit.

[Manualsum](#)

Mounting Bracket

The IST-10 is designed to be mounted to a US standard single/dual gang wall box or a single/dual gang low voltage bracket.

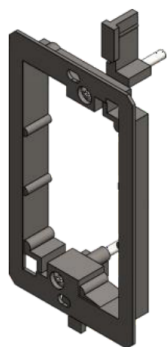
The IST-10 mounting bracket should be attached to the low voltage bracket with the supplied screws, then the IST-10 unit is secured on the metal rear mounting bracket with a captive screw located at the bottom of the IST-10.

Landscape/Portrait Mounting

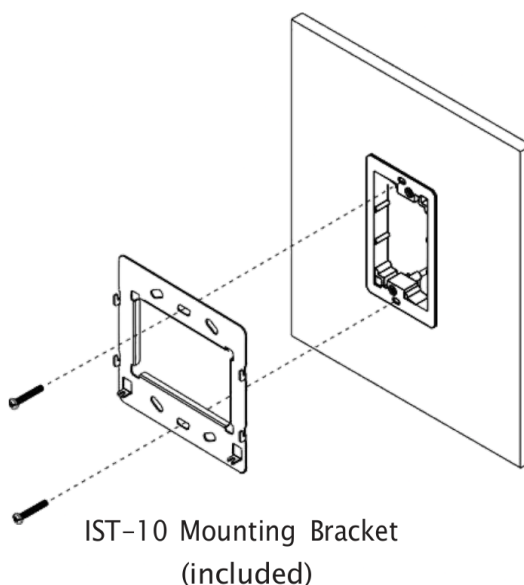
- Landscape orientation: Install the single gang low-voltage bracket on a wall in its normal position.
- Portrait orientation: Install the single gang low-voltage bracket on wall after rotating it 90 degrees in a counterclockwise direction.

Install the IST-10 Mounting Bracket

- The IST-10 package includes a mounting bracket that **MUST** be used for installation.
- Use the included screws to mount the bracket onto a single gang low-voltage bracket.
- Verify that the bracket is level before tightening the captive screw on the IST-10.



Single Gang low voltage
bracket



IST-10 Mounting Bracket
(included)

Power the IST-10

The IST-10 is designed to be powered over an Ethernet connection with PoE or by connecting a 12VDC power supply (not included), but not both.

PoE Connection

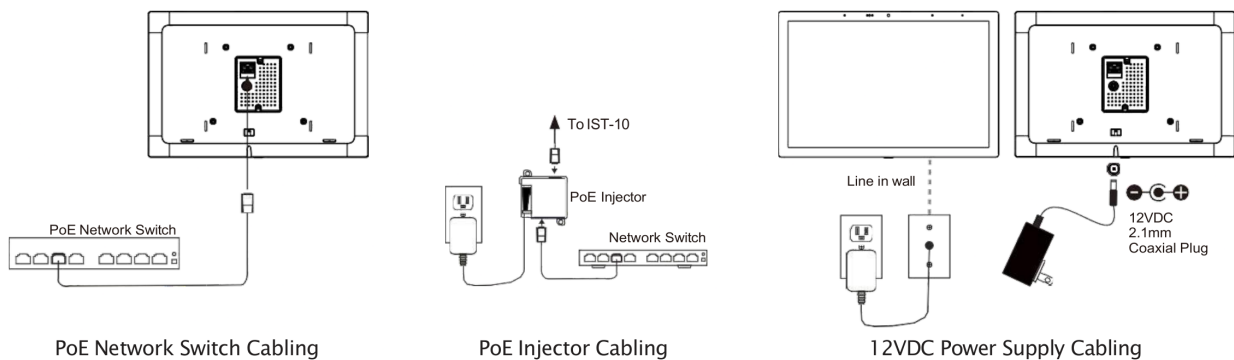
- PoE connection requires IEEE 802.3at standard. Utilize a network switch or PoE injector that meets this standard.
- Connect the IST-10 using a standard T568A or T568B Ethernet cable from the network switch to the LAN/PoE jack on the rear enclosure of the IST-10.

12VDC Power Supply

- You can provide power to the IST-10 by utilizing a 12VDC/2A power supply (available separately).
- Plug the connector into the DC jack on the rear enclosure of the IST-10.

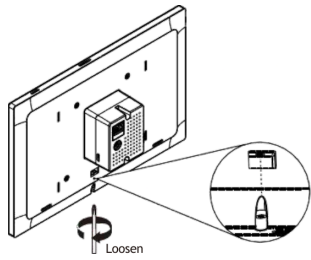
Power Up The IST-10

- The IST-10 will automatically power on when power is applied.

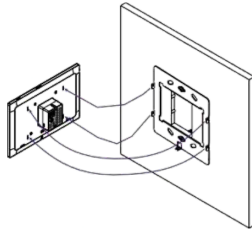


Install the IST-10

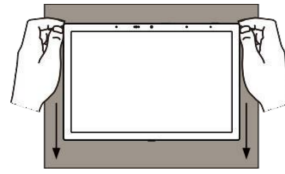
- Use a Philips #1 head screw driver to loosen the captive screw of the unit to the level indicated below in the diagram. Screw should not be removed from the unit.
- Align the mounting frame hooks with the IST-10 mounting slots and gently pull the IST-10 unit down the mounting bracket. Make sure the mounting hooks are properly engaged.
- To complete the installation, tighten the captive screw on the bottom part of unit, to secure the IST-10 on the mounting bracket.
- For Portrait orientation, rotate mounting bracket and IST-10 90 degrees in counterclockwise direction before installation.



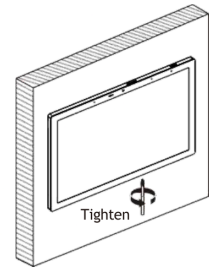
Loosen captive screw



Align mounting frame hooks



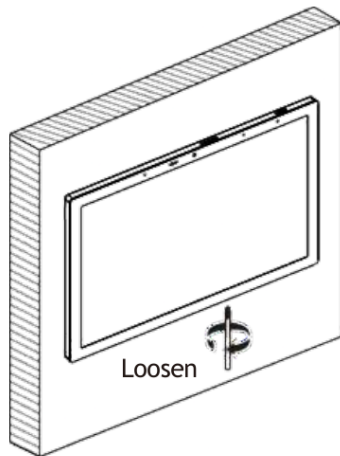
Gently pull IST-10 down



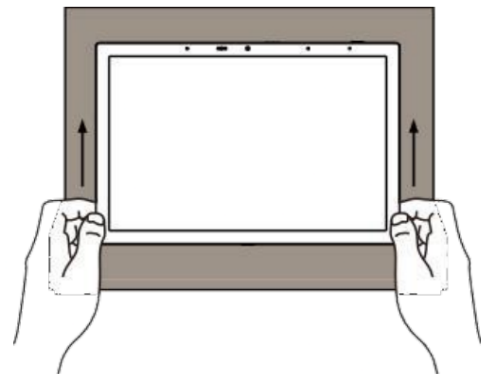
Tighten the captive screw to secure the IST-10 to the mounting bracket.

Remove the IST-10

+ Use a Philips #1 head screw driver to loosen the captive screw of the IST-10, then gently pull straight up from the mounting frame to disengage the unit.

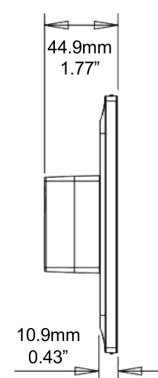
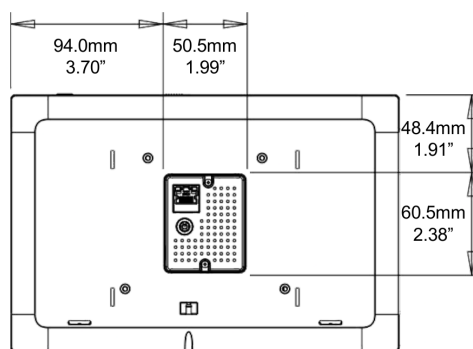
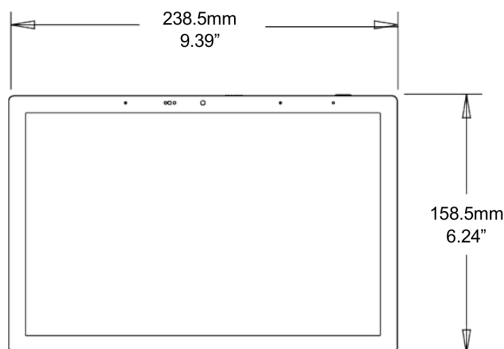


Loosen captive screw



Gently push IST-10 upwards

Dimensions



Ethernet Communication

+ When the IST-10 is connected to a network switch by Ethernet cable, the unit will acquire a network address via DHCP and automatically connect to the LAN.

Programming

Touchscreen Display

The IST-10 touchscreen display is programmed using the RTI Integration Designer Programming

Software. Normally, it is organized into a series of pages containing objects (buttons, text, graphics, etc.) that are related to each other.

Updating the Software

RTI's Integration Designer data files can be downloaded to the IST-10 via Ethernet network.

Hard Buttons

- Power Button: Short press turns off/on display
- Mute Button: Short press disables/enables microphone
- Full Reboot: Short press of power button + mute button simultaneously
- Network IP/Wi-Fi reset: Hold power + mute button for 4 seconds, then release
- Factory Reset: Hold power + mute button for 8 seconds then release

Safety Suggestions

Read and Follow Instructions

Read all safety and operating instructions before operating the unit.

Retain Instructions

Keep the safety and operating instructions for future reference.

Heed Warnings

Adhere to all warnings on the unit and in the operating instructions.

Accessories

Only use attachments/accessories specified by the manufacturer.

Heat

Keep the unit away from heat sources such as radiators, heat registers, stoves, etc., including amplifiers that produce heat.

Power

Unplug this apparatus during lightning storms or when unused for long periods of time.

Power Sources

Connect the unit only to a power supply of the type described in the operating instructions, or as marked on the unit.

Power Sources

Connect the unit only to a power supply of the type described in the operating instructions, or as marked on the unit.

Power Cord Protection

Route power supply cords so that they are not likely to be walked on or pinched by items placed on or against them, paying particular attention to the cord plugs at power receptacles and at the point at which they exit from the unit.

Water and Moisture

Do not use the unit near water—for example, near a sink, in a wet basement, near a swimming pool, near an open window, etc.

Object and Liquid Entry

Do not allow objects to fall or liquids to be spilled into the enclosure through openings.

Servicing

Do not attempt any service beyond that described in the operating instructions. Refer all other service needs to qualified service personnel.

Damage Requiring Service

The unit should be serviced by qualified service personnel when:

- The power supply cord or the plug has been damaged.
- Objects have fallen or liquid has been spilled into the unit.
- The unit has been exposed to rain.
- The unit does not appear to operate normally or exhibits a marked change in performance.
- The unit has been dropped or the enclosure has been damaged.

Cleaning

To clean this product, lightly dampen a lint-free cloth with plain water or a mild detergent and wipe the outer surfaces. NOTE: Do not use harsh chemicals as damage to the unit may occur.



Service & Support

If you are encountering any problems or have a question about your RTI product, please contact RTI Technical Support for assistance (see the Contacting RTI section of this guide for contact details).

RTI provides technical support by telephone or e-mail. For the highest quality service, please have the following information ready:

- Your Name
- Company Name
- Telephone Number
- E-mail Address
- Product model and serial number (if applicable)

If you are having a problem with hardware, please note the equipment in your system, a description of the problem, and any troubleshooting you have already tried.

Please do not return products to RTI without return authorization.

Limited Warranty

RTI warrants new products for a period of three (3) years (excluding consumables such as rechargeable batteries which are warranted for one (1) year) from the date of purchase by the original purchaser (end user) directly from RTI / Pro Control (herein referred to as "RTI"), or an authorized RTI dealer.

Warranty claims may be initiated by an authorized RTI dealer using the original dated sales receipt or other proof of warranty coverage. In the absence of the receipt of purchase from the original dealer, RTI will provide warranty coverage extension of six (6) months from the date code of the product. Note: RTI warranty is limited to the provisions set forth in this policy and does not preclude any other warranties offered by third parties who are solely responsible for those other warranties.

Except as specified below, this warranty covers defects in product material and workmanship. The following are not covered by the warranty:

- Product purchased via unauthorized sellers or internet sites will not be serviced- regardless of purchase date.
- Damages caused by accident, misuse, abuse, neglect or acts of God.
- Cosmetic damage, including, but not limited to, scratches, dents and normal wear and tear.
- Failure to follow instructions contained in the Product Installation Guide.
- Damages due to products used in an application or environment other than that for which it was intended, improper installation procedures or adverse environmental factors such as incorrect line voltages, improper wiring, or insufficient ventilation.
- Repair or attempted repair by anyone other than RTI and Pro Control or authorized service partners.
- Failure to perform recommended periodic maintenance.
- Causes other than product defects, including lack of skill, competence or experience of user.
- Damage due to shipment of this product (claims must be made to the carrier).
- Altered unit or altered serial number: defaced, modified or removed.

RTI Control is also not liable for:

- Damages caused by its products or for failure of its products to perform, including any labor costs, lost profits, lost savings, incidental damages, or consequential damages.
- Damages based upon inconvenience, loss of use of the product, loss of time, interrupted operation, commercial loss, any claim made by a third party or made on behalf of a third party.
- Loss of, or damage to, data, computer systems or computer programs.

RTI's liability for any defective product is limited to repair or replacement of the product, at the sole discretion of RTI. In cases where the warranty policy conflicts with local laws, the local laws will be adopted.

Disclaimer

All rights are reserved. No part of this document may be photocopied, reproduced, or translated without the prior written notice of Remote Technologies Incorporated.

The information contained in this document is subject to change without notice. Remote Technologies

Incorporated shall not be liable for errors or omissions contained here in or for consequential damages in connection with the furnishing, performance, or use of this guide.

Integration Designer, and the RTI logo are registered trademarks of Remote Technologies Incorporated.

Other brands and their products are trademarks or registered trademarks of their respective holders.

Contacting RTI

For news about the latest updates, new product information, and new accessories, please visit our web site at: www.rticontrol.com

For general information, you can contact RTI at:

Remote Technologies Incorporated

5775 12th Ave. E Suite 180

Shakopee, MN 55379

Tel. +1 (952) 253-3100

info@rticontrol.com

RTI IST-10 Intelligent Surface Touchpanel User Manual