

Siragon Corporate MPC-3000 Mini PC User Manual

Manualsum, simplified manuals

Table of Contents

- [Siragon Corporate MPC-3000 Mini PC User Manual](#)
 - [Service Warranty Declaration](#)
 - [Important:](#)
 - [Attention:](#)
 - [Description of product interfaces:](#)
 - [Important note:](#)
 - [Packing list:](#)
 - [Quick installation:](#)
 - [VESA bracket installation:](#)
 - [Tips and frequently asked questions:](#)

Siragon Corporate MPC-3000 Mini PC User Manual

Siragon Corporate MPC-3000 Mini PC User Manual

([2BACG-MPC-3000](#))



Service Warranty Declaration

Thank you for choosing us! By purchasing this Mini PC, you acquire a one-year free warranty that covers both parts and labor required for repairs.

Warranty conditions:

There are certain situations where we might charge you for the repair, depending on the case:

1. Misuse: If the Mini PC is damaged by not following the manual's instructions or by improper use.
2. Accidental damage: This includes damage caused by liquids, viruses, incorrect software installations, or if you disassemble the Mini PC.
3. Natural disasters: We do not cover damage caused by events such as fires, floods, earthquakes, or strong winds.
4. Normal wear and tear: Natural deterioration of accessories, consumables, and over time is not covered.
5. Software reinstallation: If you need us to reinstall software or adjust settings, we might charge a fee.
6. Damaged identification: If the warranty identification label is damaged or illegible, the warranty could be voided.

Important:

Before sending your Mini PC for repair, we recommend you make a backup of your files and personal data, as they could be lost during the process.

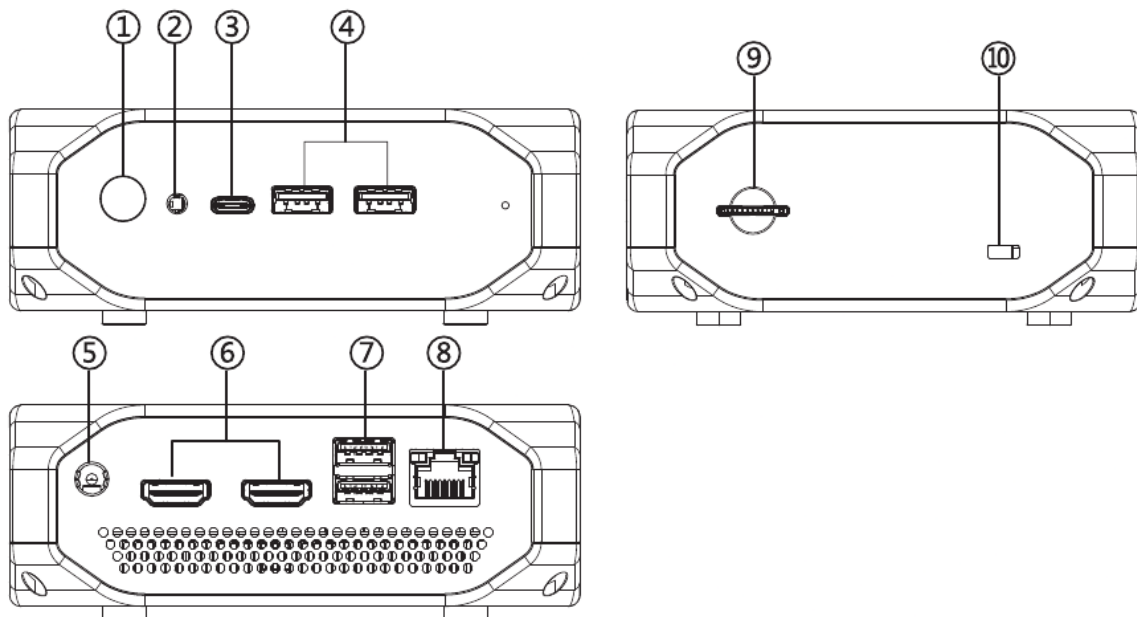
We want you to be at ease! With this warranty, you can be sure that your purchase is protected and that we will be here to help you if something happens.

Limitation of liability

Attention:

1. Use the original power adapter: We are not responsible for failures or issues caused by using third-party adapters.
2. Third-party content: You can use third-party videos, music, images, and software, but we are not responsible for copyright issues or software failures.
3. Losses: In case the product fails, we will follow the warranty terms, but we will not cover economic or property losses that may arise during its use.
4. Pre-installed software: The equipment comes with pre-installed factory software that has been tested. If you remove it or have compatibility issues, it will not affect the equipment's operation. This is not considered a product quality issue.
5. Upgrades: We reserve the right to improve the product. If there are changes in specifications or design, no additional notice will be issued. The actual product is the one that prevails. [Manualsum](#)

Description of product interfaces:



1. Power button
2. Audio input (jack)
3. USB Type-C port
4. USB 3.2 Gen1 port
5. Power input (DC IN)
6. HDMI port
7. USB 3.2 Gen2 port
8. Network port (RJ45)
9. TF memory card slot
10. Security hole (for lock)

Important note:

1. Radiofrequency motor: This device has a low-power radiofrequency motor that has been certified. It is prohibited to modify its frequency, increase its power, or alter its design and functions without authorization.
2. Interferences: When using the radiofrequency motor, make sure it does not interfere with legal communications or affect flight safety. If you detect any interference, stop using the device immediately and fix the problem before using it again.

Legal communications refer to wireless communications that comply with the law. The radiofrequency motor must be resistant to interferences from legal, industrial, scientific, and medical communication equipment.

3. CMOS battery: This product contains a small battery that powers the motherboard's CMOS. Do not attempt to replace it yourself, as using the [Manualsum](#)

wrong battery can be dangerous. If you need to replace the battery, ensure you do it adequately and safely.

Packing list:

Mini PC x1

Power adapter x1

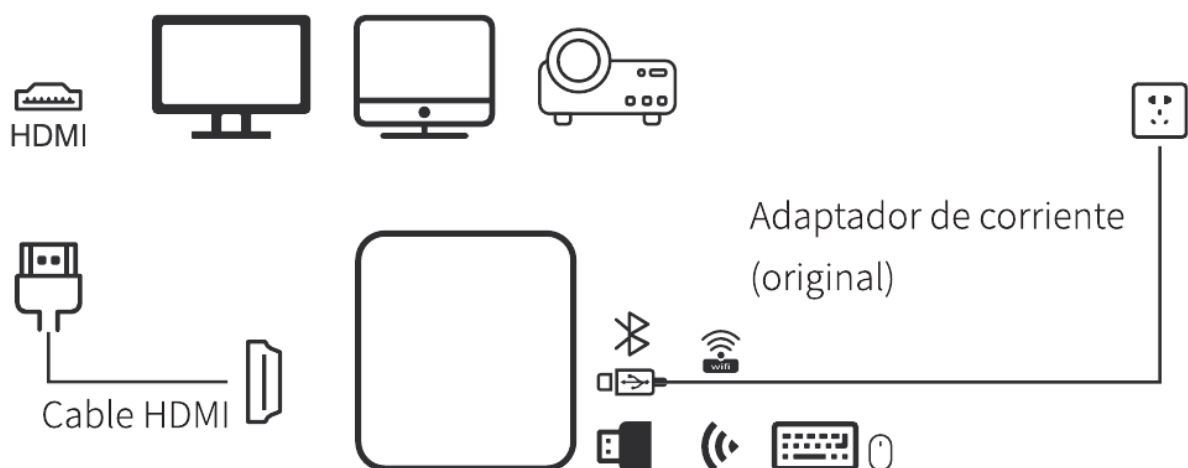
User manual x1

VESA mounting bracket x1

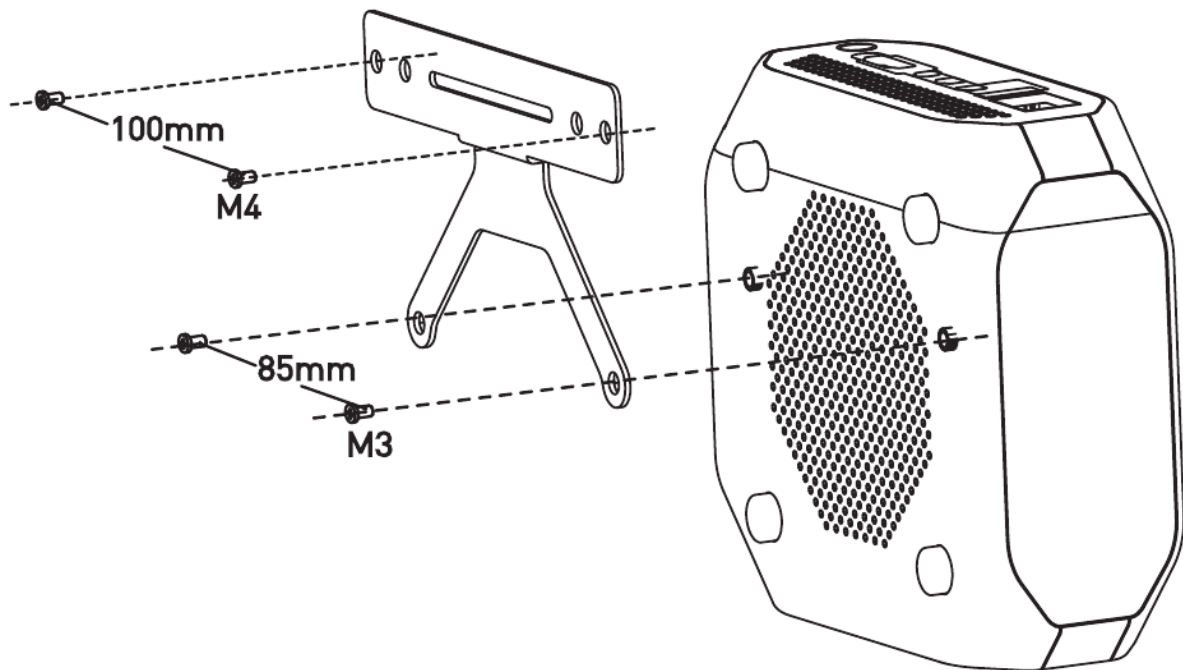
VESA mounting screws: 4 M4 screws and 2 M3 screws x1

Quick installation:

1. Connect the Mini PC to your display with an HDMI cable. Ensure you select the correct HDMI input source on your display (TV, monitor, or projector).
2. Connect the power adapter to the Mini PC and to the power outlet.
3. Connect the keyboard and mouse (not included) via USB or Bluetooth.
4. Connect to the internet via network cable or WiFi. To connect via WiFi, you will need to configure it after turning on the Mini PC.



VESA bracket installation:



1. Locate the VESA screw holes on the back of the Mini PC, near the center.
2. Align the VESA bracket with the holes and ensure it is level and centered.
3. Insert the M3 screws through the bracket and into the Mini PC holes. Tighten them with a screwdriver, but without applying too much force.
4. Ensure the Mini PC is securely attached to the bracket.
5. Attach the VESA bracket to the back of your monitor with the M4 screws. Ensure you properly align it with the monitor holes.
6. Tighten the M4 screws with a screwdriver, without overtightening.
7. Ensure everything is securely fastened and enjoy your Mini PC and display with the new mounting!

Tips and frequently asked questions:

1. Turn off the Mini PC: If the Mini PC does not respond, press and hold the power button for 4-6 seconds until it turns off.
2. Connect to WiFi:
 - 1) Click the network icon at the bottom right corner of the screen.
 - 2) Enable WiFi by clicking the corresponding icon.
 - 3) Select your WiFi network from the list of available networks. You may need to enter the password to connect.
3. Access the BIOS:

Press the F2 key during the boot process. The default BIOS configuration is optimal for most cases. Do not modify it unless you are an expert, as an incorrect configuration can cause instability or boot failures.

Enjoy your new Mini PC!