

# [TANKYA Qi2 wireless charger User Manual](#)

## [Manualsum](#), simplified manuals

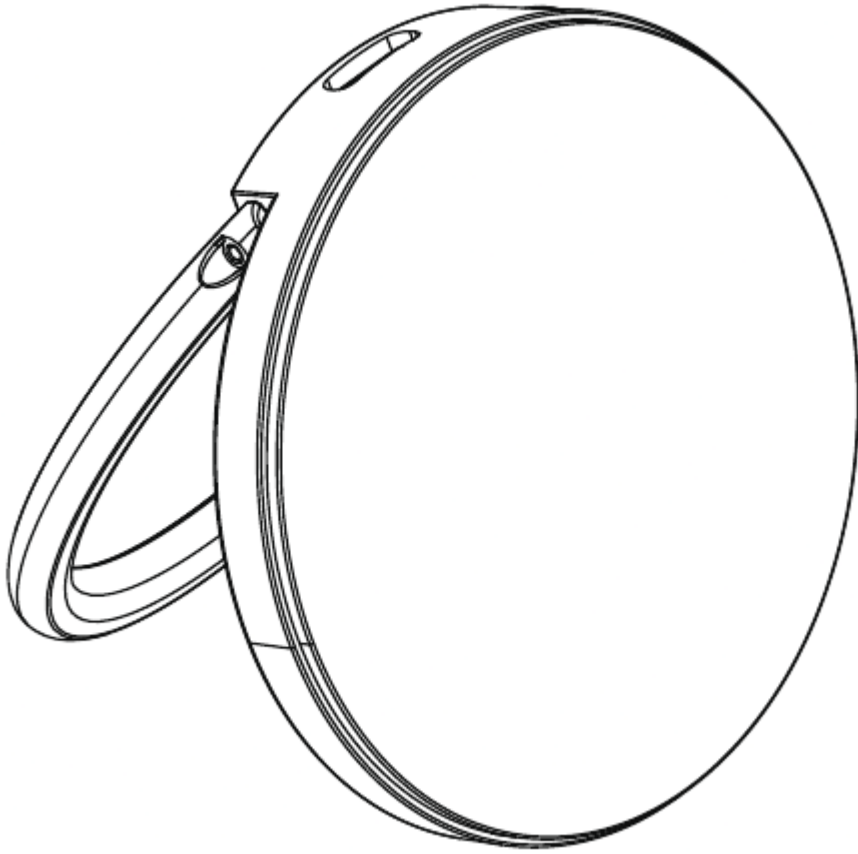
Table of Contents

- [TANKYA Qi2 wireless charger User Manual](#)
  - [Charging Stand](#)
  - [Type-C interface](#)
  - [Product Parameter:](#)
  - [Step for usage:](#)

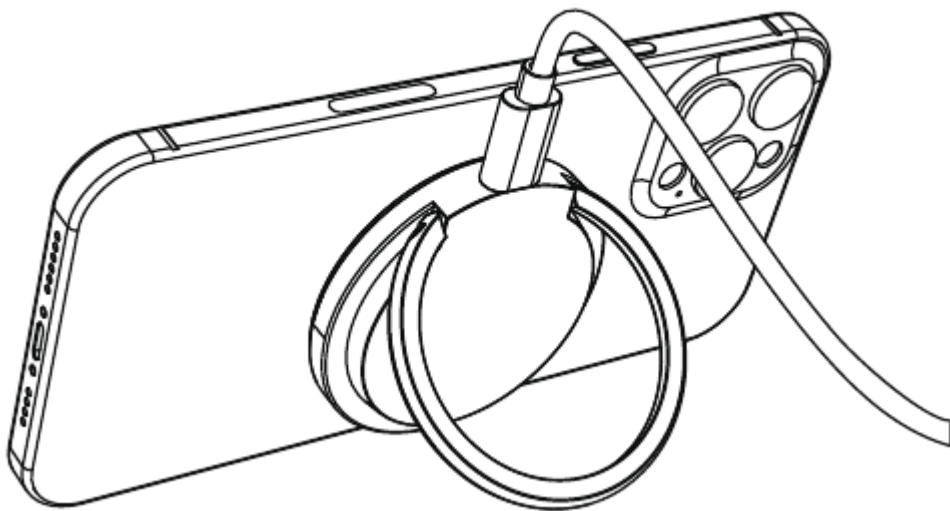
# TANKYA Qi2 wireless charger User Manual

TANKYA Qi2 wireless charger User Manual

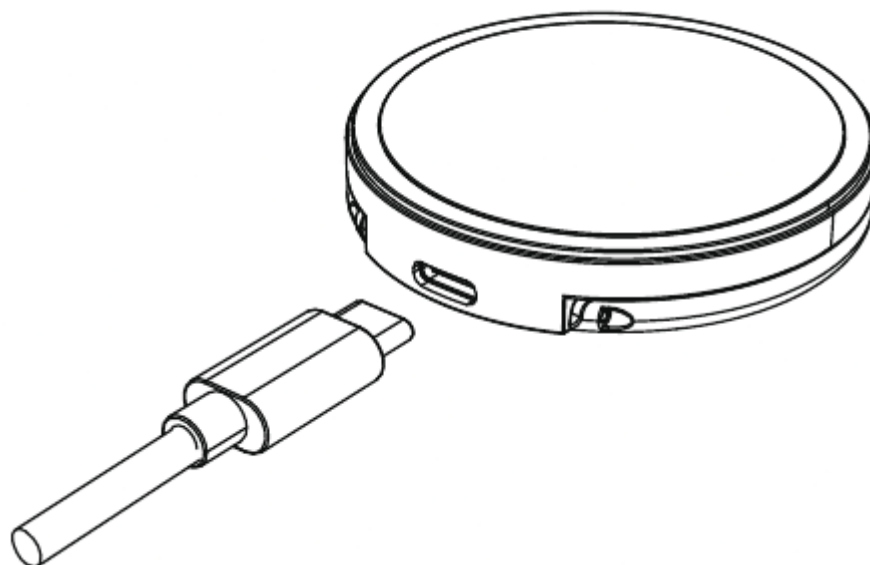
FCC id: [2AV8L-TKWC-028](#)



## **Charging Stand**



## Type-C interface



### Product Parameter:

- **Product Name:** Qi2 wireless charge stand
- **Material:** ABS + Aluminum + silicone
- **Dimension:** 59.96 x 9.2mm
- **Interface:** USB C
- **Input:** DC5V 3A, DC 9V 2.22A
- **Mobile phone output:** 5W, 7.5W, 10W, 15W
- Compatible with PD 20W charger or above.

### Step for usage:

1. Connect USB Cable to PD Power Adaptor insert the USB end of the Cable into a USB Power adaptor.
2. Connect USB C to wireless charger insert the USB C end of the Cable into the charging port of the Qi Wireless Charger.
3. Place your Qi Enabled device onto pad to charge place your device centrally on the pad to charge.

The charge icon will appear at the top of your device's screen.

[Tankya Website](#)