

[Varo PayPro D052 User Manual](#)

[Manualsum](#), simplified manuals

Table of Contents

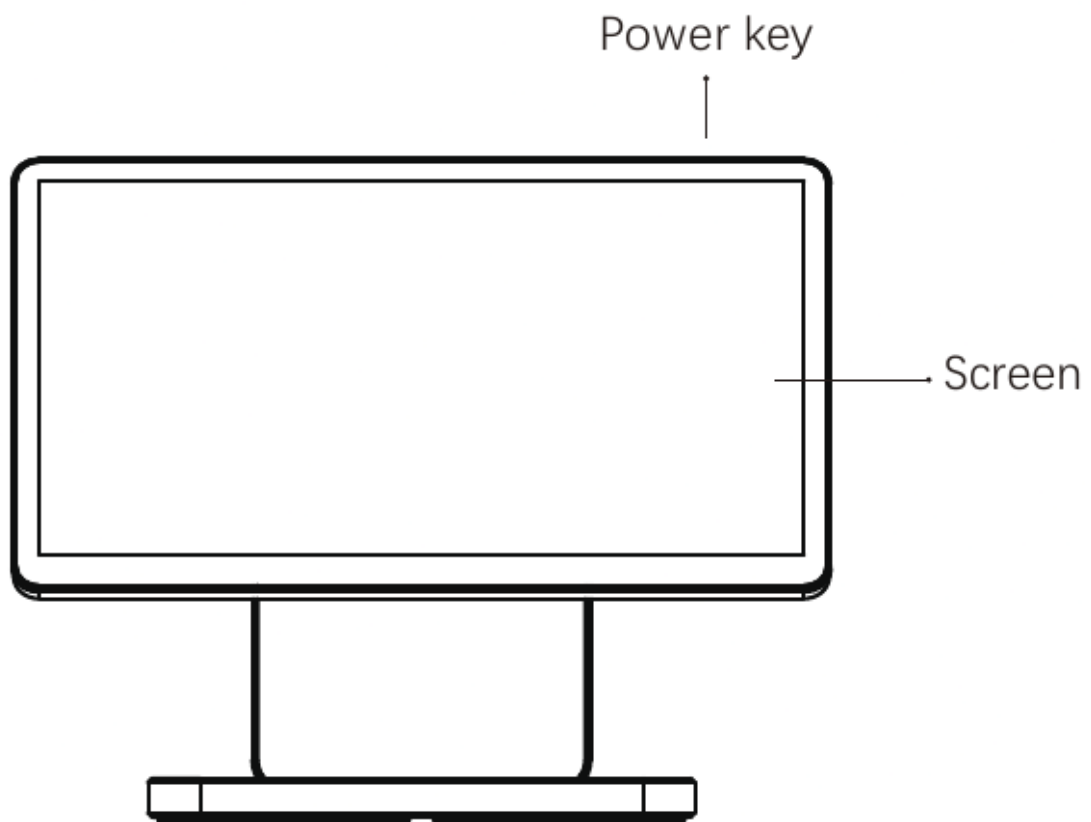
- [Varo PayPro D052 User Manual](#)
 - [Product Details](#)
 - [Main Specifications](#)
 - [Instructions for use](#)
 - [Safety Alert](#)

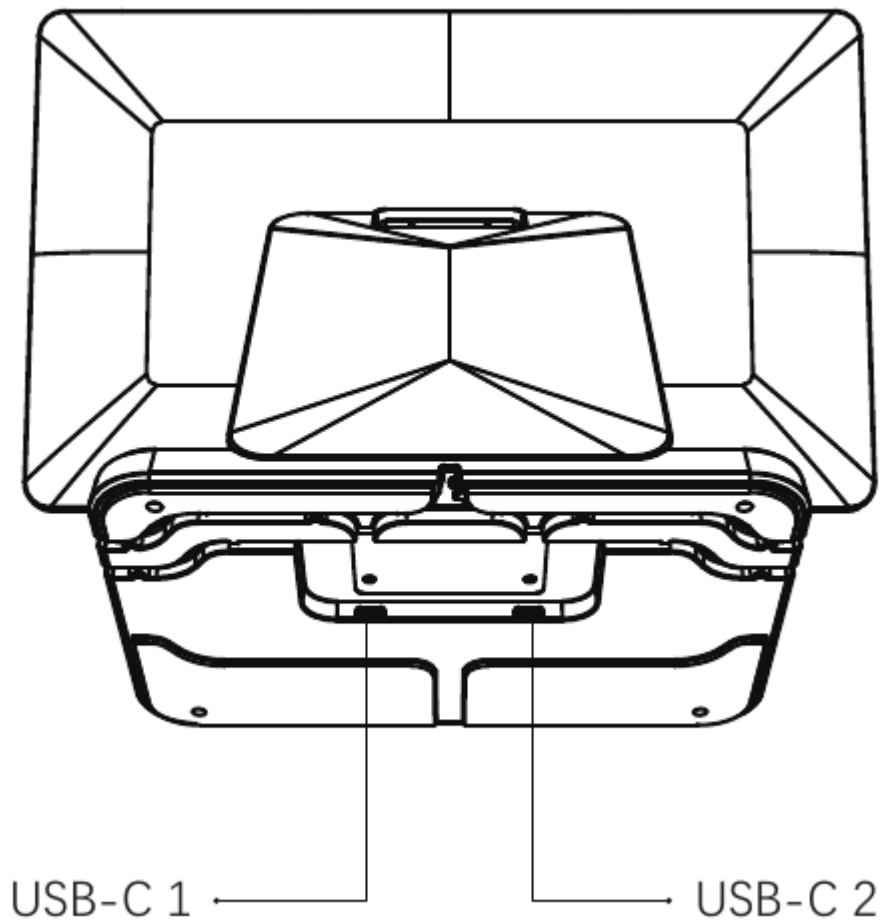
Varo PayPro D052 User Manual

Varo PayPro D052 User Manual

([2BFJHD052](#))

Product Details





1. **Power key:** long press to power on/off; short press to activate or shut down the screen
2. **Screen:** display and touch operation
3. **USB-C 1&2:** to connect with T2 stand and to connect with HUB, can be mixed use

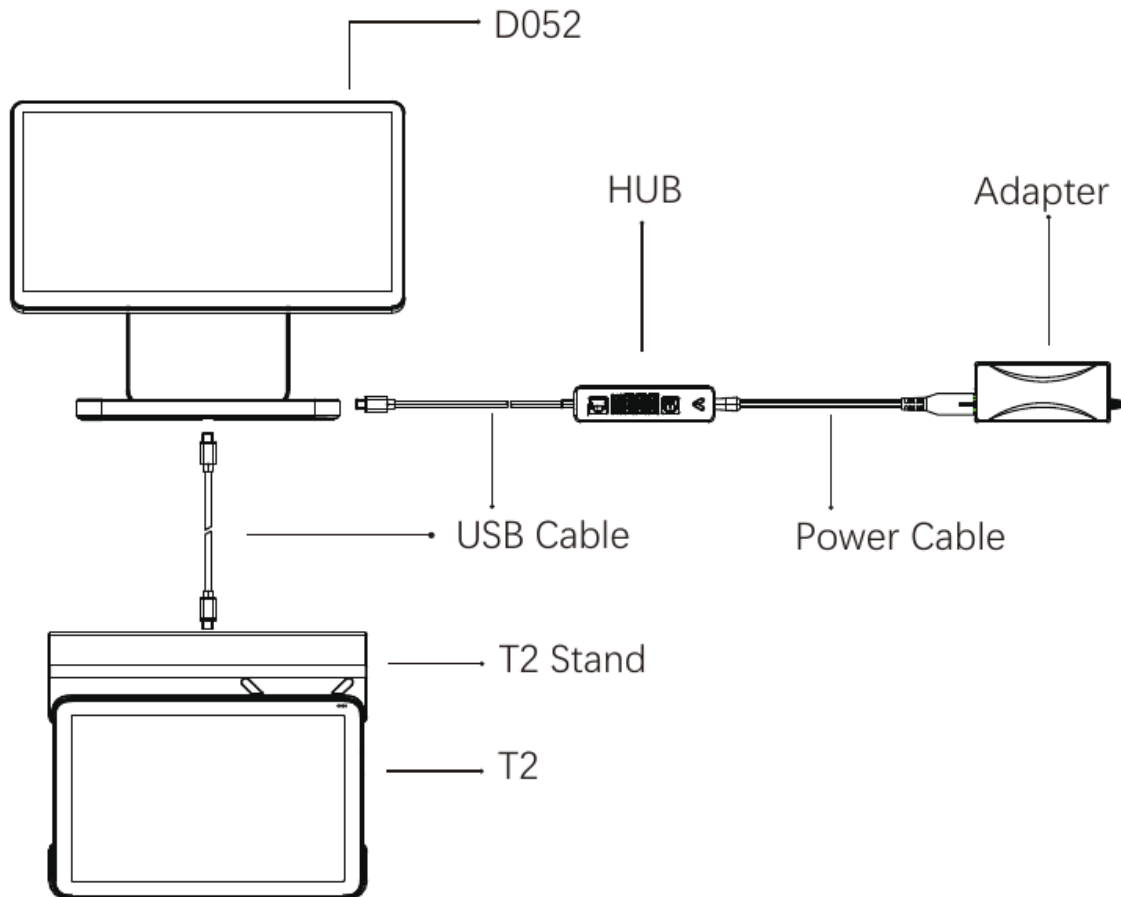
Main Specifications

Model:	D052
Operating System:	Android 13
CPU:	Octa-Core 2.0 GHz
Communications:	WiFi/Ethernet
Memory:	4GB RAM, 64GB ROM
Screen:	13.3" LCD, Touch Panel
Bluetooth:	BT 5.0, Dual Mode
Wi-Fi:	WLAN 802.11 a/b/g/n/ac
Ports:	2* USB-C

Stand:

The screen rotates parallel to the desktop and turns outward. 100* 50,000 times life cycle

Instructions for use



- **Step 1:** USB HUB connect to the USB-C of D052 through usb cable
- **Step 2:** Power adapter connect to the USB HUB through power cable
- **Step 3:** T2 stand connect to the USB-C of D052 through usb cable
- **Step 4:** T2 put on the T2 stand
- **Step 5:** Power on the D052 and T2 through the power key
- **Step 6:** D052 connect to the internet through WiFi or Ethernet
- **Step 7:** T3 connect to the internet through WiFi
- **Step 8:** Runing ordering apps on D052 and intiiate the transaction and send the amount to T2
- **Step 9:** T2 deals with the transaction and feed back to D052

Notes: D052 is a desktop ECR device, installed on the counter with a height of less than 1m.

Safety Alert

- Do not place the terminal in extremely hot or cold conditions.

- Do not place terminal together with computer disc, credit card, travel card or any other magnetic items; otherwise, the information stored in magnetic cards will be affected.
- Do not place the terminal in fire.
- Do not disassemble the terminal or any accessories by yourself.
- Please use a moist and anti-static cloth to clean the terminal screen.
- Warning: Please replace the batteries with the same type and rating to avoid battery explosion.
- Do not expose the battery in strong direct sunlight, near heat sources or any similar conditions.
- Please recycle or dispose of old, weak, or worn batteries in accordance with local, regional, or national law or regulation.
- Do not use detergent with chemical or scrub particle which may damage the terminal body or screen.
- Please keep the terminal in a safe place and avoid crush or squeeze that may cause a damage on screen or camera.
- When the user use the third party's root tool or update with unauthorized operation system, it will bring risk to the normal operation system.
- The maximum operating temperature of the product should not exceed 40°C.
- Product battery should not be placed in an overheated environment (over 60°C).
- To prevent potential electrical damage ,please be recom- mended to use the power adapter and the USB cable provided with the packing only.