

OAKCASTLE PS500 Party Speaker User Manual

Manualsum, simplified manuals

Table of Contents

- [OAKCASTLE PS500 Party Speaker User Manual](#)
 - [Box Contents](#)
 - [What's in the Box?](#)
 - [Controls & Functions](#)
 - [Front View](#)
 - [Back View & Control Panel](#)
 - [Remote Control](#)
 - [Microphones](#)
 - [Wireless Microphone](#)
 - [Wired Microphone](#)
 - [Tripod Stand](#)
 - [The Tripod Stand](#)
 - [Step 1](#)
 - [Step 2](#)
 - [Step 3](#)
 - [Basic Operation](#)
 - [Charging Time](#)
 - [Playback](#)
 - [Power ON/OFF](#)
 - [TWS](#)
 - [Bluetooth, USB & Micro SD Card Mode](#)
 - [Bluetooth Mode](#)
 - [USB Mode](#)
 - [Micro SD card \(TF\) Playback Mode](#)
 - [FM Radio & AUX-In Mode](#)
 - [FM Radio](#)
 - [AUX-In Mode](#)
 - [Troubleshooting](#)
 - [Support](#)
 - [Specification & Warranty](#)
 - [Specification](#)
 - [Warranty](#)
 - [Safety Information](#)
 - [ADDITIONAL WARNINGS](#)
 - [RECYCLING ELECTRICAL PRODUCTS](#)

OAKCASTLE PS500 Party Speaker User Manual

OAKCASTLE PS500 Party Speaker User Manual

(2AX9T-PS500MIC)

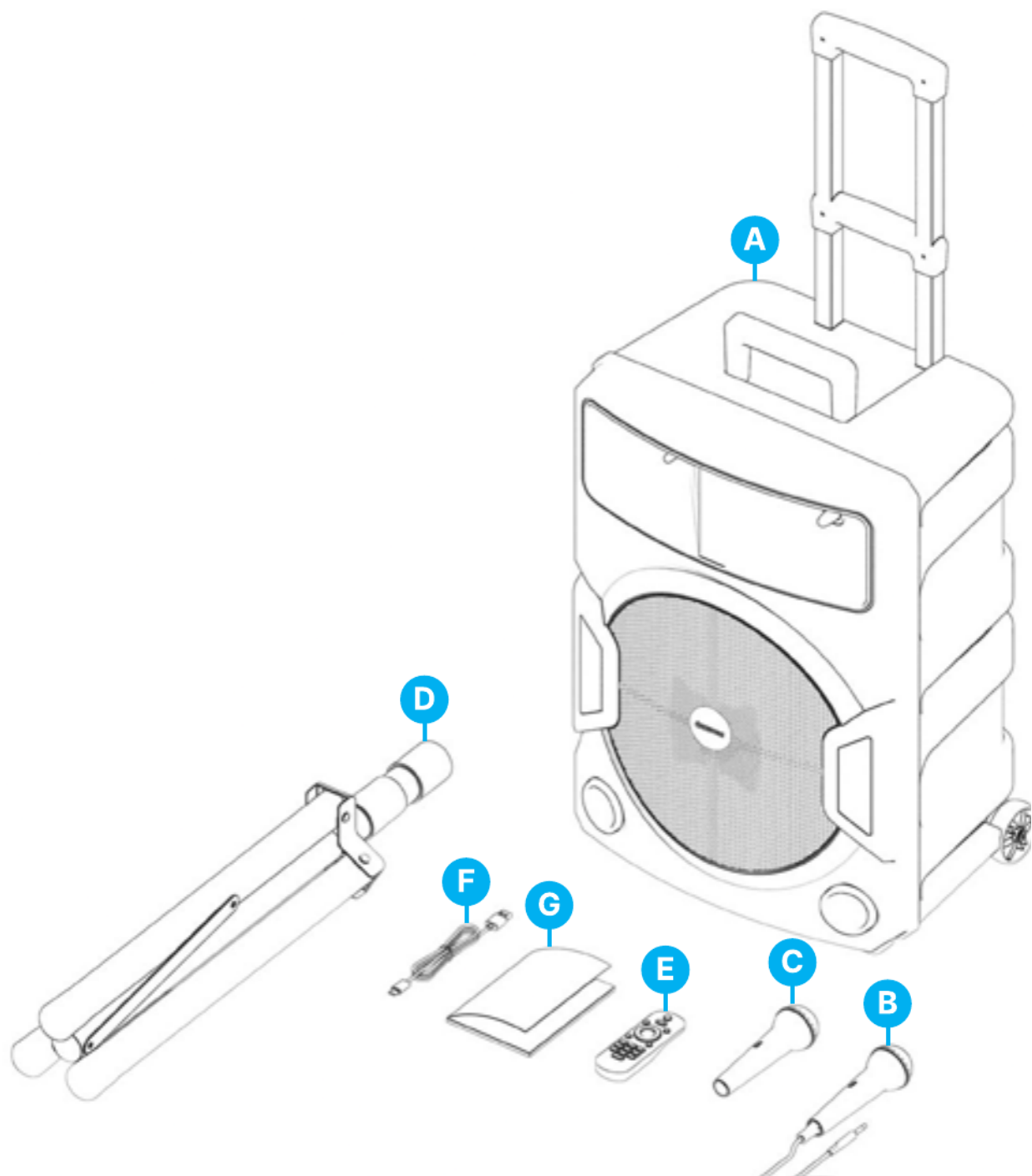
**3 year
Warranty**

Register your product online for a FREE 3 year
extended warranty at: www.oakcastle.co.uk

Box Contents

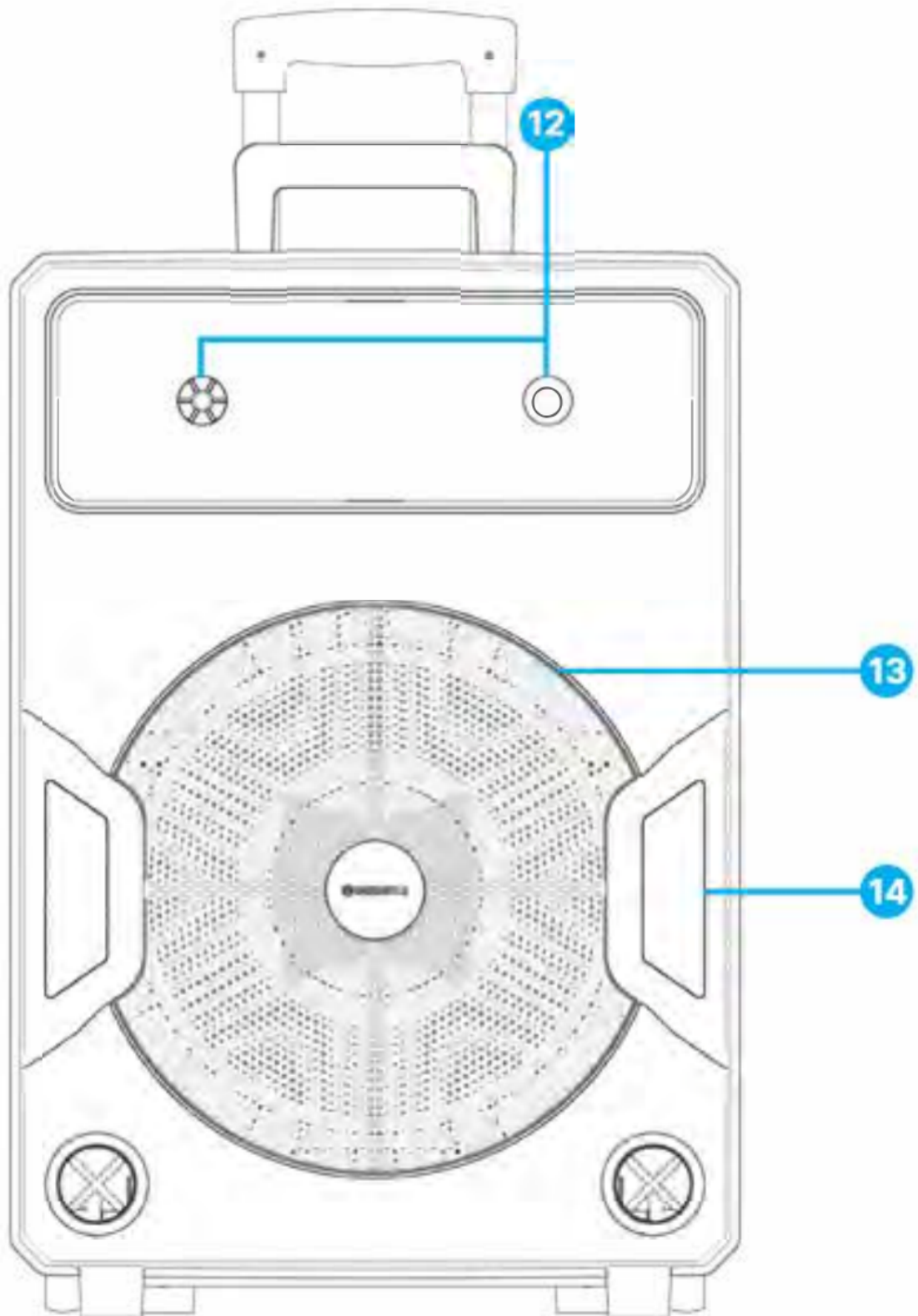
What's in the Box?

- A.** Oakcastle PS500 Party Speaker
- B.** Wired Microphone
- C.** Wireless Microphone
- D.** Tripod Stand
- E.** Remote Control
- F.** USB Type-C Charging Cable
- G.** User Manual



Controls & Functions

Front View

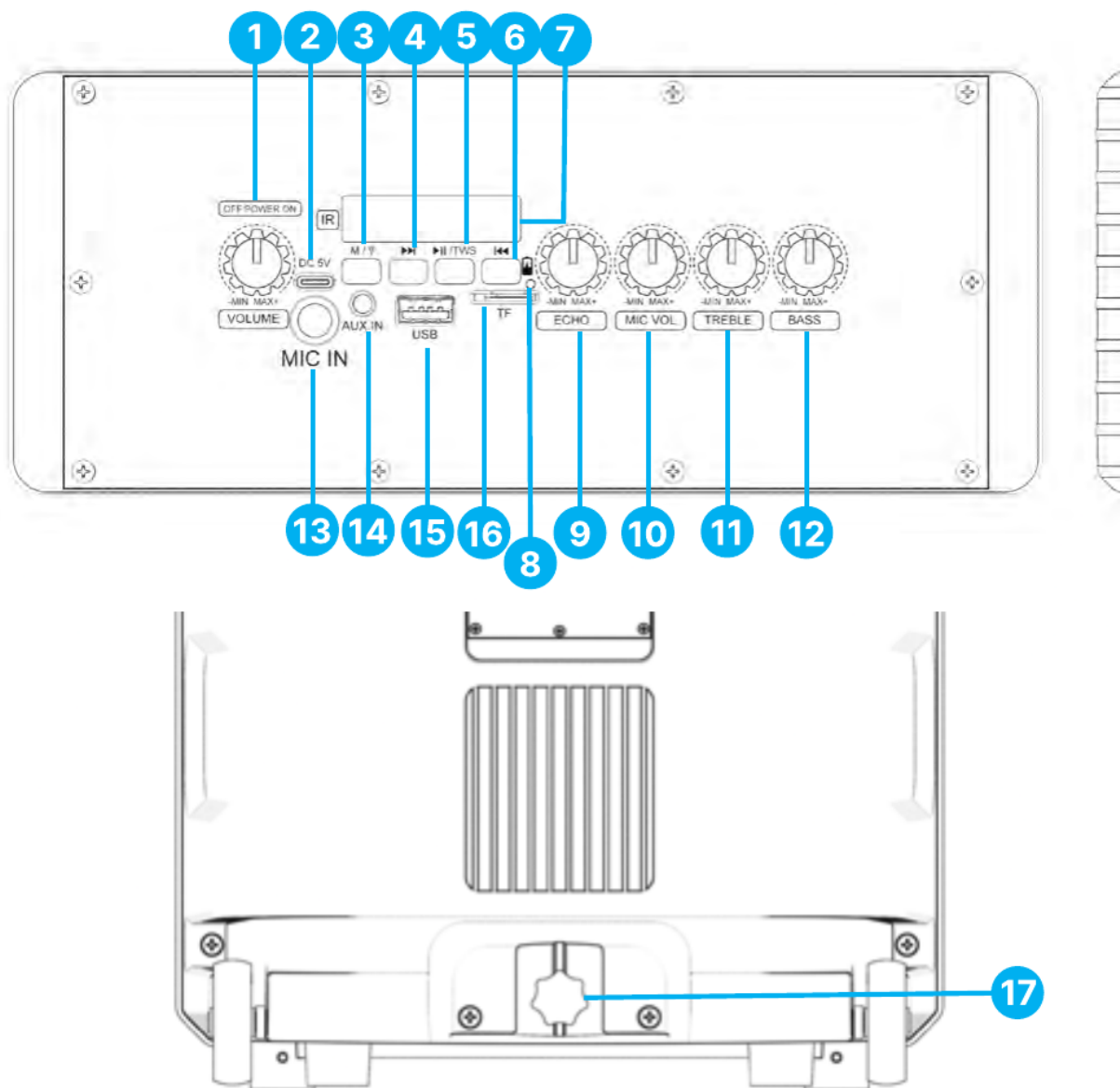


12. Active Tweeters

13. Speaker

14. LED Lighting

Back View & Control Panel

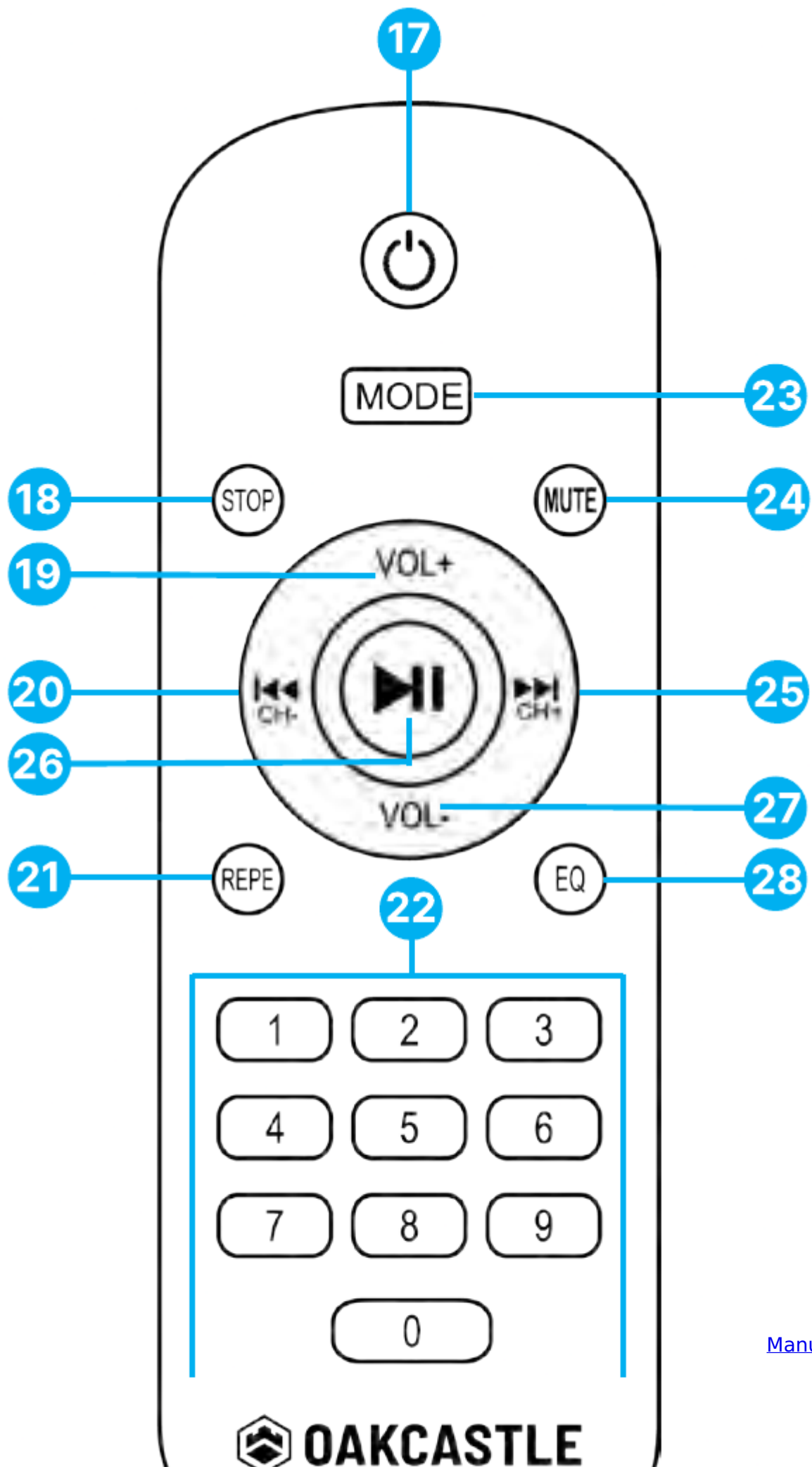


1. Power ON/OFF, Volume +/-
2. USB Type-C Charging Port (DC5V)
3. Mode & Lighting Modes
4. Next /Forward
5. Play, Pause/TWS
6. Previous
7. LCD Display Screen
8. Charging LED Light
9. Echo +/-
10. Microphone Volume +/-
11. Treble +/-*
12. Active Tweeters
13. Speaker
14. LED Lighting
15. MIC IN
16. USB
17. Charging Port

12. Bass +/-
13. Wired Microphone Port
14. AUX-In Port
15. USB Playback Port
16. SD (TF) Card Slot
17. Tripod Stand hole and screw

Please note: To change the lighting modes, you must press and hold for 2-3 seconds the Mode/ Lightning button (Ref. 3).

Remote Control

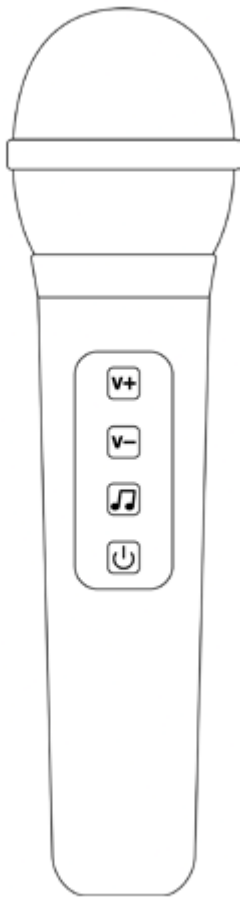


17. Standby: Press the 'Standby' button to put your speaker in Sleeping Mode. Press again to turn on the speaker.
18. Stop: Press the 'Stop' button once to stop playing.
19. Volume +: Increase the volume.
20. Previous: Press to skip and play the previous song or to the previous FM station in FM Mode.
21. Repeat: Repeat one track or repeat all tracks (only available under USB/Micro SD Mode).
22. Numerical Keys: Directly access your MP3 tracks.
23. Mode: Long press the 'Mode' button to change the speaker modes to: Bluetooth®/FM/AUX/USB/SD Card.
24. Mute: Press the 'Mute' button to turn the sound on or off.
25. Next: Press to skip and play the next song or skip to the to the next FM station in FM Mode.
26. Play/Pause: Press to play or pause audio.
27. Volume -: Decrease the volume.
28. EQ: Press the 'EQ' button repeatedly to select sound styles. There are 6 equaliser presets modes which you can use as per your preferences: NORMAL, POP, ROCK, JAZZ, CLASSIC, COUNTRY

Microphones

The microphones can be used in any mode such as : BT, AUX IN, USB, SD CARD, FM.

Wireless Microphone



29. Volume +/-

30. Magic Voice- Change the voice when talking on a microphone - male voice, female voice, baby voice and normal voice.)

31. Power ON/OFF

Power on the Oakcastle PS500 speaker, and then press the 'Power On/Off' button on the microphone (Ref.31). The wireless microphone will then automatically connect with the party speaker.

Wired Microphone



32. Power ON/OFF

Insert the wired cable end into the MIC In port at the back of the speaker (Ref.13). Power on the Oakcastle PS500 speaker, and then press the 'Power On/Off' button on the microphone (Ref.32).

Please note: The wired and the wireless microphones can be used both at the same time or just one at a time.

Tripod Stand

The Tripod Stand

At lowest extension, the Oakcastle PS500's tripod is 43.5cm high and at maximum extension is 76cm high.

- Once removed from the box, unfold the bottom three legs. Keep it stable and the tripod won't wobble easily.
- Loosen the fixing screws and adjust the tripod to the appropriate height.
- Tighten the fixing screws. Once secured position your speaker and affix on the tripod stand.

Step 1

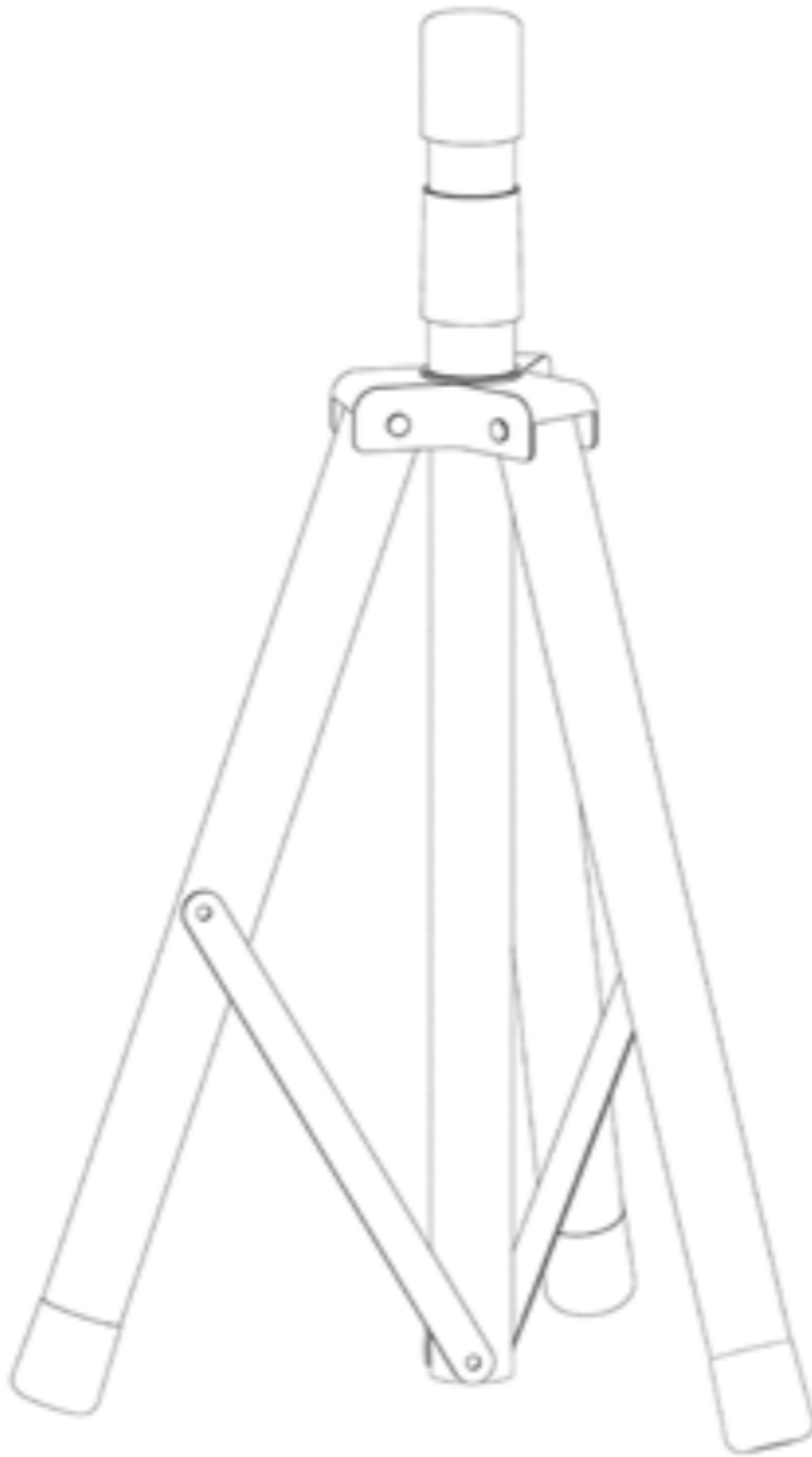
Secure the tripod stand.

Step 2

Prepare your speaker (Ref.17).

Step 3

Affix the party speaker on the tripod with the screw on the speaker.



Basic Operation

Please note that the instructions within this user manual will refer to the button number on the party speaker or the microphones (Ref number'), and

[Manualsum](#)

the buttons on the remote control (Rem 'number'), in accordance with the diagrams from pages 4-8.

Charging Time

Insert the USB Type-C cable at the back of the unit (Ref.11), and then connect with a plug (DC5V) to the mains for charging.

The charging LED screen will light up red (Ref.8). It takes up to 6 hours to process a full charge course of the internal battery. Once fully charged, the red LED light will switch off. Disconnect the party speaker from mains and take advantages of its portability.

Please Note: It would be recommended to process a full charge course when not in use for longer battery life.

Playback

The Oakcastle PS500 has an internal rechargeable battery. Once fully charged, the speaker can be used on battery power for up to 6 hours.

Please Note: The playtime may vary based on the volume level and lighting modes usage while playing on battery power.

Power ON/OFF

Rotate the 'Power ON/OFF' knob (Ref.1) to the right to switch the power on and increase the volume as per your preferences. Rotate the 'Power ON/OFF' (Ref.1) to the left to decrease the volume and switch off the party speaker.

TWS

The 'TWS' function can only be used when using two Oakcastle PS500 Party Speakers which you can connect and use as twin Bluetooth party speakers.

Please note: each package only contains one Oakcastle PS500 Bluetooth PartySpeaker.

To connect two Oakcastle PS500's, you should first ensure that both speakers are powered on and not paired individually with other devices via Bluetooth. Press the 'TWS' button (Ref.3) twice on one of these speakers and both will wirelessly connect with each other.

Once both Oakcastle PS500 are paired, switch on Bluetooth connectivity on your phone, and then search for "Oakcastle PS500". Select and pair with the speakers. You can now play audio on both party speakers.

To disconnect, the 'TWS' button (Ref.3) twice on one of the party speakers.

Bluetooth, USB & Micro SD Card Mode

Bluetooth Mode

The Oakcastle PS500 can be paired via Bluetooth with a phone or a tablet to play audio from your device via your party speaker.

Press the 'MODE' button on the unit (Ref.3) or on the remote control (Ref.23) repeatedly to change the speaker mode in Bluetooth. The text 'BT' will be displayed on the PS500 screen indicating the mode.

Once in Bluetooth Mode, the speaker is ready to pair. Activate Bluetooth on your device and search for 'Oakcastle PS500'. Select the speaker and pair with your device.

Once connected you can now start playing audio from your device via your party speaker.

Please Note: The Oakcastle PS500 cannot be paired with Bluetooth earbuds or earphones.

USB Mode

Press the 'Mode' button (Rem.23) on the remote control repeatedly to change into USB Mode. The party speaker display screen will show 'USB'.

The USB stick should be of up to 32GB and must be formatted in FAT32 before adding on your stick the audio files in supported formats MP3 or WAV.

Insert the USB stick into the USB Playback port (Ref.15) and the Oakcastle P500 will automatically start playing audio from your stick.

Please note: The Oakcastle PS500 USB port cannot be used as a connection port with other devices as this is just for Playback.

Micro SD card (TF) Playback Mode

Press the 'Mode' button (Rem.23) on the remote control or the one on the unit (Ref.3) repeatedly to change the speaker mode in 'TF'. The text 'TF' will be displayed on the party speaker display.

The TF Card (Micro-SD Card) you can use should be of up to 32GB, which must be formatted in FAT32 before adding the audio files in supported formats MP3 or WAV . Insert the Micro SD Card into its port (Ref.16) at the back of the speaker.

The Oakcastle PS500 will then start playing audio form your Micro-SD Card.

FM Radio & AUX-In Mode

FM Radio

Press the 'MODE' button (Ref.3) on the unit or the one on the remote control (Rem.23) repeatedly to change the speaker mode to 'FM Radio'. The text 'FM' will be displayed on the LCD screen of the speaker.

Press and hold the 'Play/Pause/TWS' Button on the unit (Ref.5) or the Play/Pause button on the remote control (Rem.26) for 2-3 seconds to start processing an automatic scan for the FM radio stations available at your location.

Once the search has been completed, the Oakcastle PS500 will automatically save all FM radio stations available at your location. The party speaker will then start playing the first radio station found.

Press the 'PREVIOUS' or 'NEXT' buttons to play the next or the previously stored FM radio station.

AUX-In Mode

The Oakcastle PS500 can be connected with an MP3 player, CD player, phone, tablet or any other similar device, using an AUX audio cable of 3.5mm (not included).

Insert one end of the audio cable of 3.5mm into the AUX-In port of the party speaker (Ref.14), and the other end into your audio source device's AUX output port.

Once connected, power on the party speaker, and change the Mode to AUX-In Mode by pressing repeatedly the 'Mode' button on the unit (Ref.3) or the one on the remote control (Rem.23), until the speaker's LCD screen displays 'AUX'.

You can now start playing audio from your device via the Oakcastle PS500 speaker.

Troubleshooting

Observation	Potential Cause/Solution
No power or no function	Ensure the speaker battery is fully charged. If there is no sign of life, try a full charge without the speaker being used. Check if the charging LED lights up and disconnect the speaker when the LED light goes off. Power the party speaker on right after.
No Sound	Increase the volume using the rotary knob on the speaker.

If there is no sound when connected with other device, increase the volume level from your device also on the speaker.

Ensure the Oakcastle PS500 is not paired with other devices and is set to Bluetooth Mode.

Bluetooth not connecting

Ensure your device has Bluetooth activated and search for 'Oakcastle PS500'. When you find the party speaker, connect to pair the devices. You will now be able to play audio via your party speaker.

Support

If you require assistance with your new Oakcastle PS500, please contact our tech Support team by completing the form on our

Oakcastle website: www.oakcastle.co.uk/support.

OAKCASTLE PS500 Party Speaker User Manual

Specification & Warranty

Specification

Power Supply	DC5V (150W)
Bluetooth Version	V5.0
Bluetooth Operating Distance	10 Metres
Supported audio formats (TF, USB)	MP3, WAV
FM Frequency Range	FM 87.5-108MHZ
Micro SD card	Use a Micro SD Card of up to 32GB
USB Playback Stick	Use a USB stick size of up to 32 GB
Weight	8.1Kg
Dimensions	41.3×31.9×60.3 CM

Warranty

All products come with a standard 12-month warranty. All items must be registered within 30 days of purchase on www.oakcastle.co.uk for the warranty to be valid. Once on our website, use the menu to find 'Register Your Product'. You will also be given the chance to extend your warranty for an additional 24 months, free of charge.



Safety Information

1. Read these instructions.
2. Keep these instructions. Instructions are also available for download at www.majority.co.uk.
3. Heed all warnings.
4. Follow all instructions.
5. Do not clean the apparatus near or with water.
6. Do not block any ventilation openings. Install in accordance with the manufacturer's instructions.
7. Do not block any ventilation openings. Install in accordance with the manufacturer's instructions.
8. Do not install near any heat sources such as radiators, heat registers, stoves, or other apparatus that produce heat.
9. Protect the power from being walked on or pinched particularly at plugs, convenience receptacles, and the point where they exit from the apparatus.
10. Only use accessories specified by the manufacturer.
11. Unplug this apparatus during light storms or when unused for long periods of time.
12. Refer all servicing to qualified service personnel.
13. No naked flame sources, such as a lit candle should be placed on the apparatus.
14. Dispose of used electrical products and batteries safely according to your local authority and regulations.

ADDITIONAL WARNINGS

The apparatus shall not be exposed to dripping, splashing or objects filled with water.

The main plug is used to disconnect the device. In order to disconnect the apparatus from the main mains completely, the mains plug should be disconnected from the main socket outlet completely.

Battery shall not be exposed to excessive heat.

RECYCLING ELECTRICAL PRODUCTS

You should now recycle your waste electrical goods and in doing so help the environment.

IMPORTANT: Please read all instructions carefully before use and keep for future reference.



Risk of electric shock.
Do not open.



Read all instructions carefully
before use and keep for future
reference.



When servicing, use only identical
replacement parts.



ATTENTION

*RISK OF ELECTRIC SHOCK DO
NOT OPEN*



CAUTION

*RISQUE D'ELECTROCUTION NE
PAS OUVRIR*



**IMPORTANT: Please read all instructions carefully before
use and keep for future reference**

OAKCASTLE PS500 Party Speaker User Manual