

Versa ARIES POC/IP Two Way Radio User Manual

Manualsum, simplified manuals

Table of Contents

- [Versa ARIES POC/IP Two Way Radio User Manual](#)
 - [Getting Acquainted](#)
 - [PRECAUTIONS BEFORE USING](#)
 - [Unboxing and Checking Accessories](#)
 - [Installation of Accessories](#)
 - [Detaching the Back Cover and Battery](#)
 - [Re-attaching the Back Cover and Battery](#)
 - [Re-insert the battery in the unit.](#)
 - [Installing the SIM Card](#)
 - [Tips/Note:](#)
 - [Charging the Battery](#)
 - [USB Charge Procedure](#)
 - [Charging Tips/Notes:](#)
 - [WARNING](#)
 - [Battery Information](#)
 - [Safety Precautions](#)
 - [To Prolong Battery Life](#)
 - [Battery Storage](#)
 - [Attaching / Removing the Strap](#)
 - [Attaching the Headset](#)
 - [Radio Parts and Button](#)
 - [Radio Parts and Button](#)
 - [Basic Operations](#)
 - [Turning the Radio On/Off](#)
 - [Volume Increase and Decrease](#)
 - [Tips/Notes:](#)
 - [Selecting a Talk Group for Group Call](#)
 - [Tips/Note:](#)
 - [Selecting a User for Individual/Private Call](#)
 - [Tips/Notes:](#)
 - [Receiving](#)
 - [Troubleshooting](#)
 - [Specifications](#)
 - [GENERAL](#)
 - [ENVIRONMENTAL SPECIFICATIONS](#)

Versa ARIES POC/IP Two Way Radio User Manual

Versa ARIES POC/IP Two Way Radio User Manual

FCC id: [2BKLE-ARIES](#)



**VERS
ARIES**

Getting Acquainted

We are grateful that you chose our radio for your communication applications. We believe this easy-to-use IP Radio will provide dependable and reliable communication to personnel operating at peak efficiency.

The IP Radio incorporates the latest in advanced technology. As a result, we feel strongly that you will be pleased with the quality of this product.

PRECAUTIONS BEFORE USING

Please read the User's Manual before using.

It will give you important information about how to operate the portable radio.

Please put the radio and accessories where the children cannot touch.

Maintenance can only be performed by professional technicians.

Please use the standard battery pack and charger to ensure the smooth operation of the radio.

Do not expose the radio to sunlight for a long period of time, nor put it near the heat, nor use it in a high temperature environment. Though the radio is IP68, it can be submerged in water for 30 minutes and it is dust proof.

If you find a bad smell or smog, please turn off the radio immediately. And take the battery off the radio, then contact Versa's Relationship Manager.

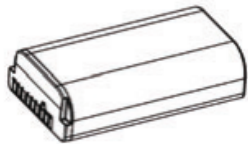


Unboxing and Checking Accessories

After carefully unboxing the IP Radio, identify the items listed in the table below. If any items are missing or have been damaged during shipment, please contact us (Versa Innovations Corp.) or your dealer immediately.

[Manualsum](#)

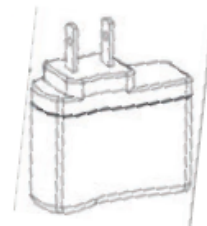
Items	Quantity
Battery	1
Power Adapter	1
Belt Clip	1
USB/Power Cable	1
Strap	1
Screws	1
User Manual	1



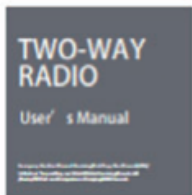
Battery



Belt Clip



Power Adapter



Manual



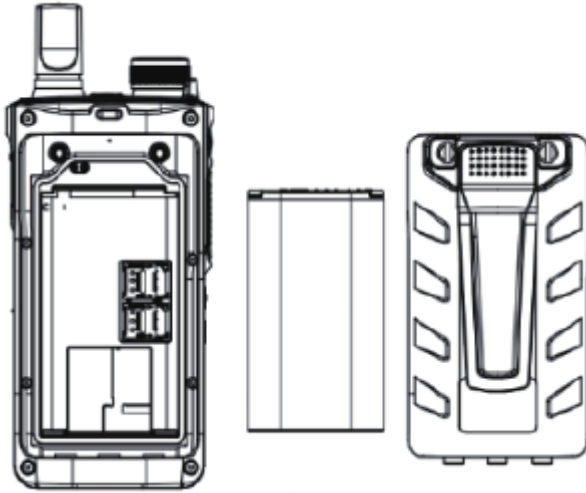
Strap / Screws



USB Cable

Installation of Accessories

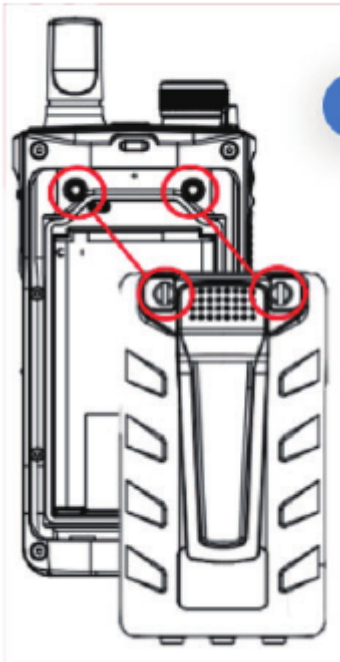
Detaching the Back Cover and Battery



Unscrew the screws of the Belt Clip, this will also loosen the back cover of the unit to be removed.

Once the back cover is removed, pull-up the battery to dismantle.

Re-attaching the Back Cover and Battery



Re-insert the battery in the unit.

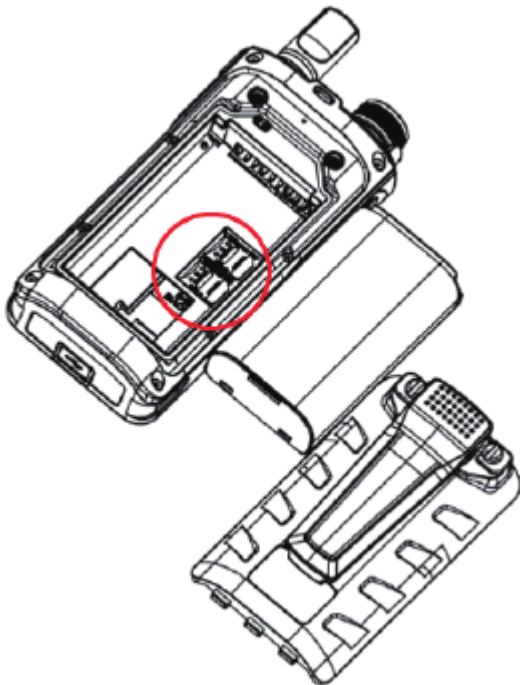
Match the guides located at the bottom of the Back Cover with the corresponding grooves on the lower rear of the radio, then re-screw the belt clip to the unit.

Installing the SIM Card

Open the back cover and remove the battery of the unit to expose the SIM card slots.

Insert the SIM cards facing down, please mind size of the SIM card slot (Nano-sized SIMs) in accordance to the SIM will be used.

Pull down the cover to lock to secure the SIM card slot, then attach the battery.



Tips/Note:

The radio unit is dual SIM, therefore two SIM Cards can be inserted in the unit.

To use the two-way radio, a valid SIM card with load/data is needed;

Please switch off the two-way radio before inserting or removing the SIM card;

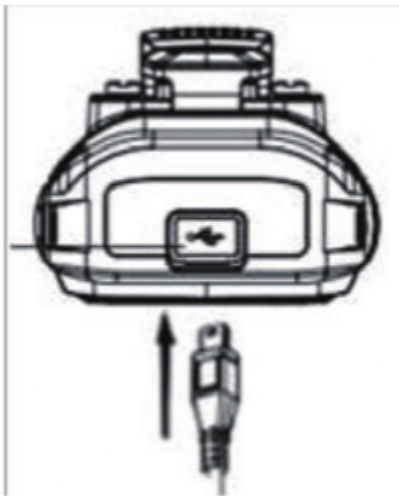
Do not bend the SIM card, and keep it clean;

To protect the SIM card, please do not remove it out frequently.

Charging the Battery

USB Charge Procedure

1. Insert the USB power cable into the port of the power adapter then plug the power adapter into a power outlet.
2. Connect the other end of the USB power cable to the Micro USB port of the radio.
3. The charging process initiates when the LED indicator of the radio lights up red.
4. LED indicator of the radio will light up green when the battery is fully charged. Please remove the radio from the charging state.



Charging Tips/Notes:

While charging, if the radio is on, the red light will flash slowly, and the green light will flash slowly when fully charged.

Please use charger adaptors approved by Versa or your dealer. Any unapproved high voltage power adaptor used for charging this unit may cause damage that will not be covered by our warranty.

WARNING

Don't short-circuit the battery, it may get damaged or burst into flame;

Never attempt to tamper with bare battery, the battery terminals may short circuit;

Batteries are flammable object, do not throw it into fire or put it near hot areas or surface.

Battery Information

New batteries are shipped not fully charged from the factory, please charge your battery before using it. It is advisable to charge a new battery for 3 to 5 hours before initial use.

The maximum battery capacity and performance is achieved after three full charge/discharge cycles. If you notice the battery power runs low, please recharge the battery.

Safety Precautions

To reduce the risk of injury, please only use the battery and charger specified by Jupiter, other batteries may burst, causing bodily injury and property damage.

When charging your battery, keep it at a temperature among 5°C to 40°C. Temperatures beyond limit may cause battery leakage or damage.

When charging a battery attached to a radio, turn the radio off to ensure a full charge.

Do not cut off the power supply or remove the battery from the radio when charging.

Never charge a battery that is wet, please dry it with soft cloth, then proceed on charging.

If you have noticed any anomalies with the performance of the battery, such as a fully charged battery that works for a shorter time than normal, it is advisable to replace it.

To Prolong Battery Life

Battery performance will be greatly decreased at a temperature below 0°C, a spare battery is necessary in cold weather. The battery exposed in cold temperature may be unable to work in this situation, placing it under room temperature may fix the battery.

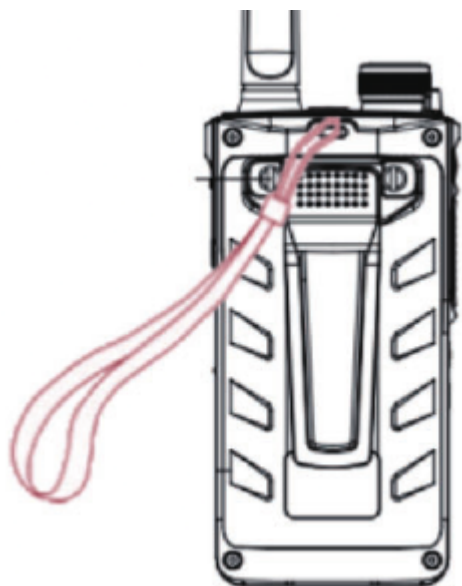
The dust on the battery contact may cause battery breakdown, please use a clean dry cloth to wipe it before attaching the battery to the radio.

Battery Storage

Fully charge a battery before you store it for a long time, to avoid battery damage due to over-discharge.

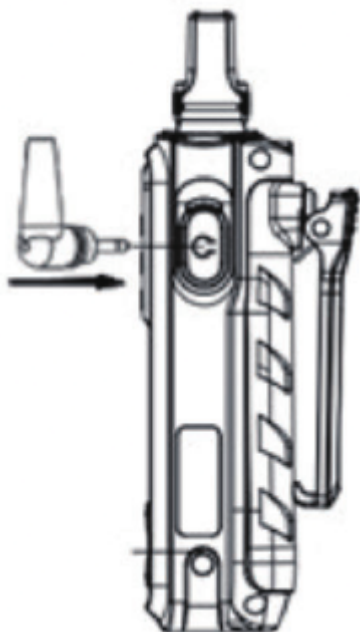
Recharge a battery after several months of storage, to avoid battery capacity reduction due to over-discharge. (NI-MH batteries: 3 months, Li-Ion & Li-polymer batteries: 6 months) Store your battery in a cool, dry place under room temperature, to reduce self-discharge.

Attaching / Removing the Strap



Thread the hand strap to the loop at the back of radio.

Attaching the Headset

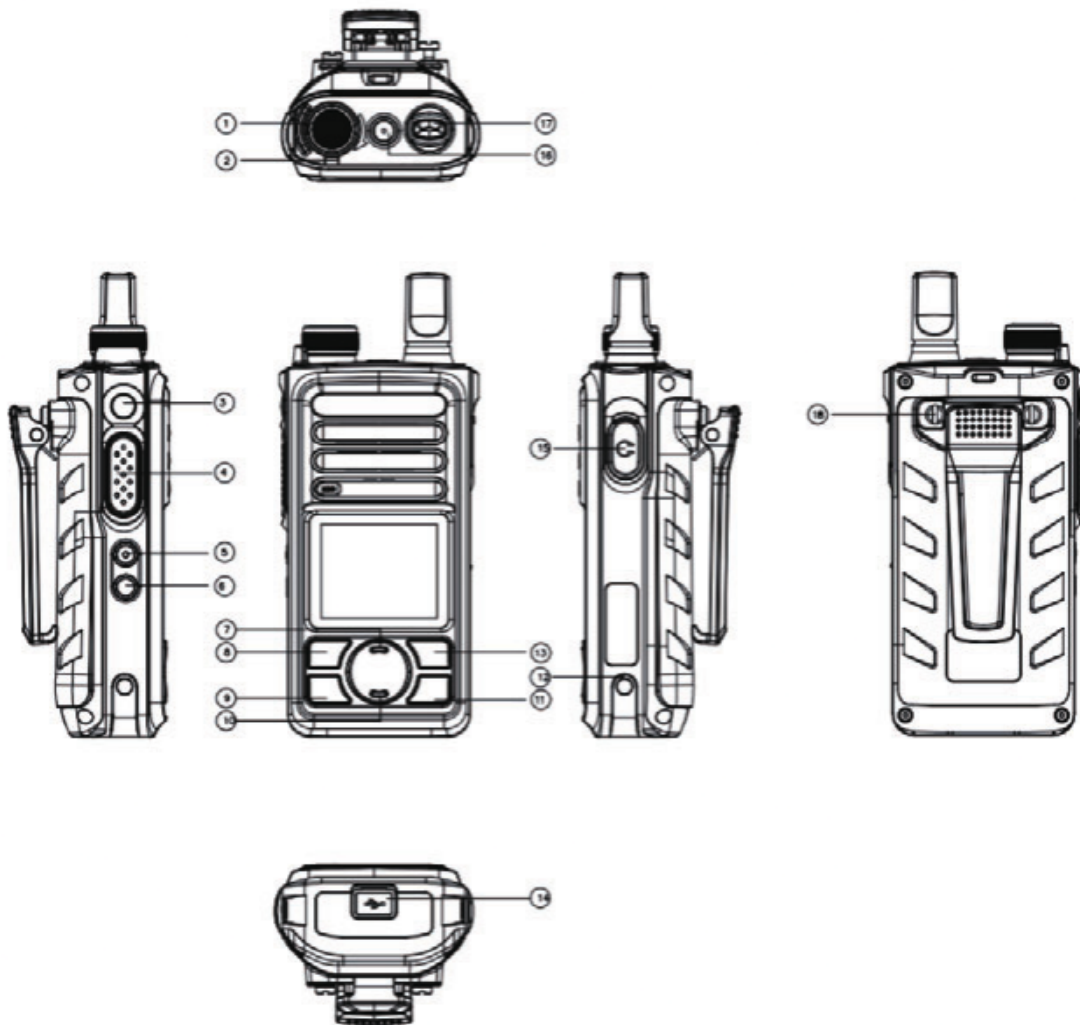


Open the accessory cover and plug the speaker/ microphone firmly into the accessory jack.

Connect the headset and press the PTT key on the headset to initiate a call. Release the PTT key to stop transmitting and return to receiving mode.

Please note that this radio uses 3.5 mm audio jack port.

Radio Parts and Button



Versa ARIES POC/IP Two Way Radio User Manual

Radio Parts and Button

(1) Channel/Talk Group Knob

Twist the knob counter or clockwise to switch talk groups efficiently.

(2) LED Light

When the battery power is less than 15%, the LED will flash red continuously.

The LED will flash red slowly during charging and flash green slowly after the charging is completed.

When the power is off, the LED will glow red during charging and become green after charging 90%.

(3) Radio Status Button

[Manualsum](#)

Push holding the button will initiate a Voice Prompt Message describing the following, the (a) Radio User Name, (b) Current Group tuned-in and the (c) Battery Percentage.

(4) PTT (Push to Talk) Button

In group or member selection, short press it to confirm.

In group call or private call mode, press and hold down the PTT key (user will hear a “beep” tone) then speak into the microphone to initiate a call.

(5) Volume UP (+) and

(6) Volume Down (-)

(7) Navigate Button – Up

(8) OK / Confirm Button

(9) Inbox / Settings Button

Short Pressing this button will open the VersaNet Inbox containing chats or recordings.

Long Pressing this button will open the Android Setting of the radio unit, where options such as Wifi, Bluetooth, Display, etc. can be found.

(10) Navigate Button — Down

(11) Power Button

If the radio unit is turned OFF, press and hold to power on the transceiver.

When the radio is turned ON, press and hold it again to power off. Short pressing the button when radio is ON will make the screen light on and off.

(11) Dock Charger Terminal

(12) Back / Cancel Button

(13) USB Port / Cover

(14) Earpiece Port / Cover

(15) Built-In Antenna

(16) Belt Clip Screws

(17) Navigate Button — Down

Basic Operations

Turning the Radio On/Off

Press and hold the Power Button

(11) to turn the power on. The LED glows green and a voice prompt “logging..”, after login successfully, the radio will announce “XXX (Device Name) login successfully, Entering group XXX(Group Name)”.



Press and hold the Power Button to turn the power off.

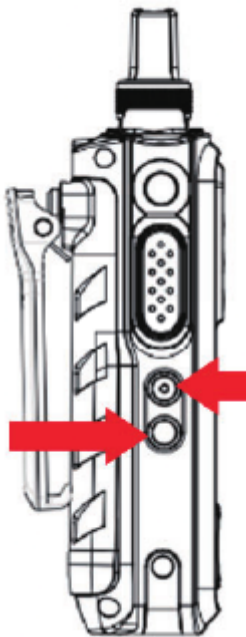
Volume Increase and Decrease

Once the radio is on, press the two-button located at the left side of the radio unit to adjust the volume level.

Press the Upper Button (5) to increase the volume, or Press the Lower Button

(6) to decrease the volume.

Tips/Notes:



If the user cannot hear any voice when the radio is on, it may be because the volume is too low. Try increasing the volume of the radio unit.

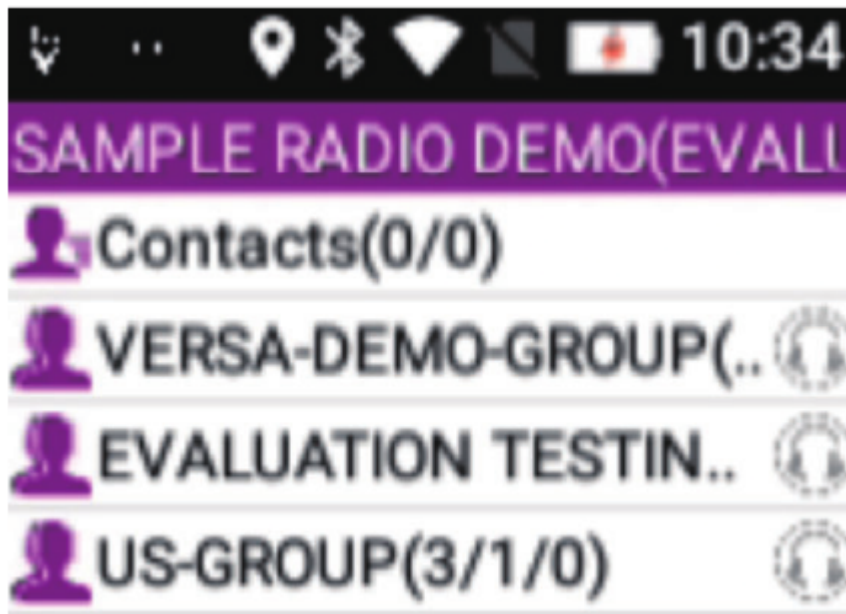
This adjustment includes the volume of key tones and voice prompts.

Selecting a Talk Group for Group Call

When the transceiver is on, it will automatically log-in to its default group. Use the Channel / Talk Group Knob to easily switch groups. Or you may navigate the VersaNet Menu on the radio by pressing the following:

Navigate the VersaNet Group Menu using the Navigation Buttons: Up (7) and Down (10) Select the desired Group by pressing "Confirm (OK) Key (8)".

The radio will voice prompt "Enter Group XXX (Group Name)". Press "PTT Button (4)" to initiate a group call.



Tips/Note:

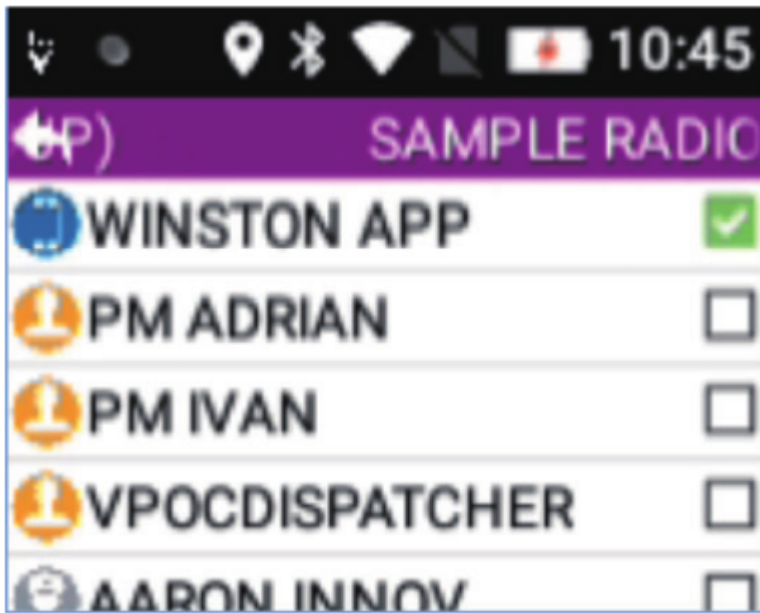
To have the best audio quality, please keep the microphone about 5 inches away from your mouth when speaking during a call.

Selecting a User for Individual/Private Call

Navigate the VersaNet Group Menu using the Navigation Buttons: Up (7) and Down (10) Select the desired Group by pressing "Confirm (OK) Key (8)", this will display the list of Users inside the Talk Group. Select the User you wish to talk in list by pressing "Confirm (OK) Key (8)", a Green check box will appear next to the selected User.

- Note that multiple users can be selected on the list for Individual/Private Call Function

The radio will voice prompt "choose user XXX (Member Name)", Press "PTT Button (4)" to initiate a Individual / Private call.

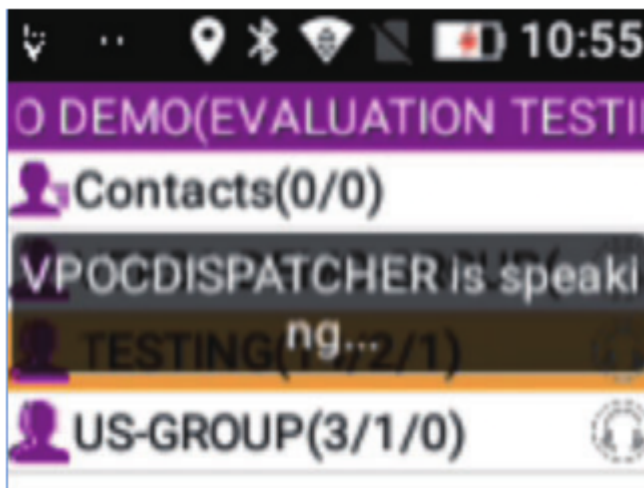


Tips/Notes:

After the private call is established successfully, both sides can press “Back / Cancel Button (13)” to exit and re-enter group mode. Both radios will voice prompt “exit private call successfully, enter group XXX (Previous Group Name)” to remind the user(s) of the status.

Receiving

When the radio is receiving transmissions from other users, the calling radio’s User Name will be displayed on the screen.



When the radio receives a Private Call, the transceiver will voice prompt “User XXX calls the local machine temporarily and enters group XXX(Device Name).” reminding the user.

Troubleshooting

If any abnormality occurs during usage, please check if it is any of the following problems (The problems described in the table is usually a fault encountered in operation, rather than a failure caused by the device). If it cannot be solved, please contact your local supplier or dealer for assistance.

Phenomena	Analysis	Solution
The radio cannot connect to network	The SIM card is no working	Please contact with mobile network operator and check the load balance
	The signal may be weak, or beyond the coverage of the cellular network.	Move to an open and flat area, and or report the problem to local network operator
The radio cannot identify the SIM card	SIM card is damage or not properly inserted	Check if the card is properly inserted or replace the card of a known functional one.
Unable to transmit and / or receive	You may be in a cellular network dead spot area. For example, your communication may be blocked by high buildings or blocked in an underground area.	Move to a place with better signals.
		Also please check load status.
The voice is unclear	The local public network might be bad.	Restart your radio to reconnect the network. Switch to a better network applicable to the area.

Specifications

	WCDMA: B1/B2/B5/B8;
Network	TD: B34/39
	LTE B2/4/5/7/12/13/17/66
Operation System	Android OS 8
Battery Type	Li-Ion
Battery Capacity	5000mAh
Operating Voltage	4.2 Vdc
Dimension	115.2mm*56mm*32.5mm
Weight	261g
Ingress Protection	IP68

3.5mm Headset Interface
External Interface Type-C USB

GENERAL

SIM Supports Dual Nano SIM
WiFi 2.4 / 5 GHz
Bluetooth 4.2
GPS GPS+Beidou+Glonass
Charging Mode USB and Optional Charging Dock

ENVIRONMENTAL SPECIFICATIONS

Drop Test 1.5m
Working Temperature -20 to +55°C
Storage Temperature -30 to +70°C
Humidity 0%~95%

Versa ARIES POC/IP Two Way Radio User Manual